

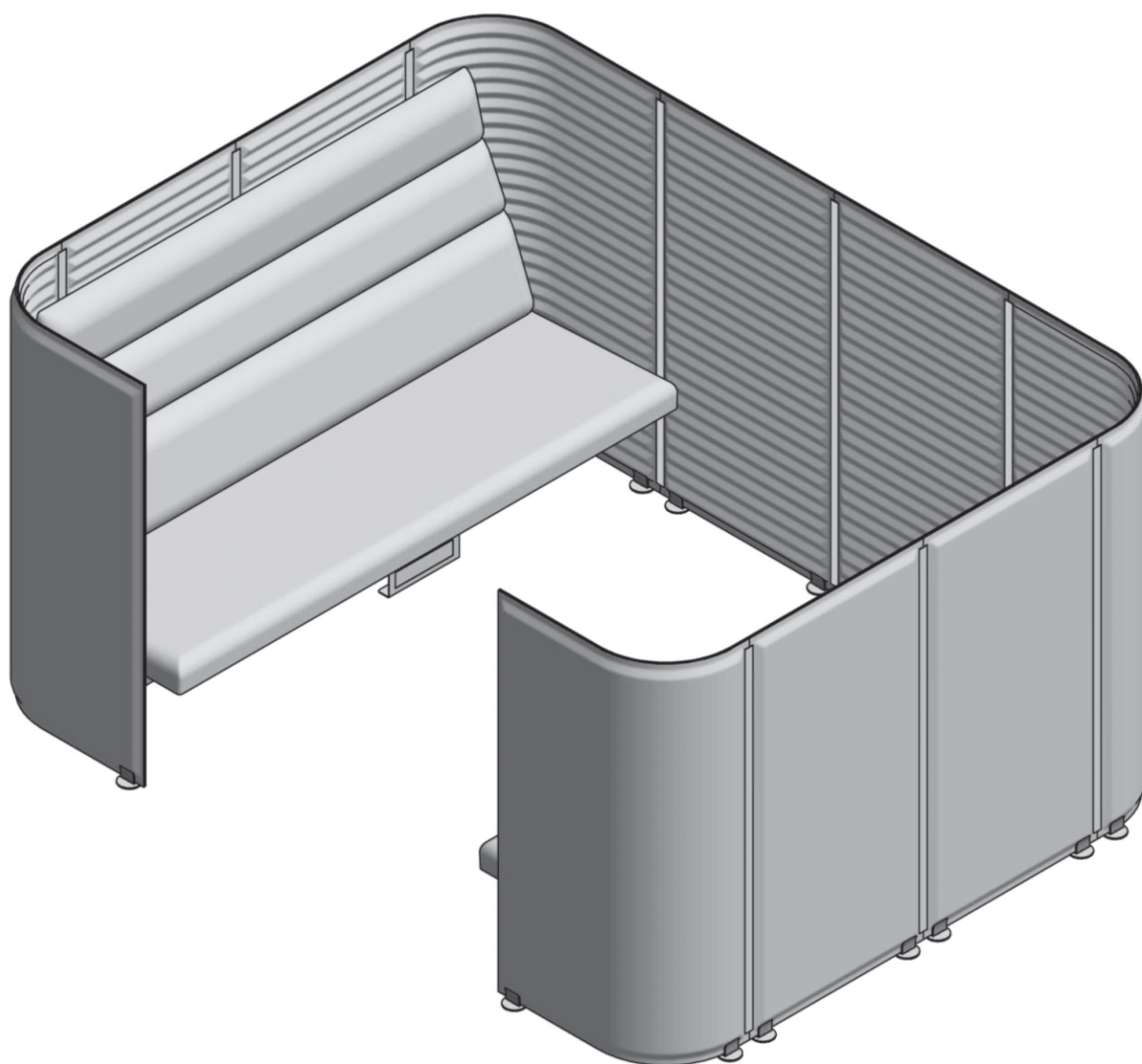
# Soundroom

Working Room  
Triple Low Seating

design:  
Tomek Rygalik  
2017

# Noti.

SR/WR/TLS



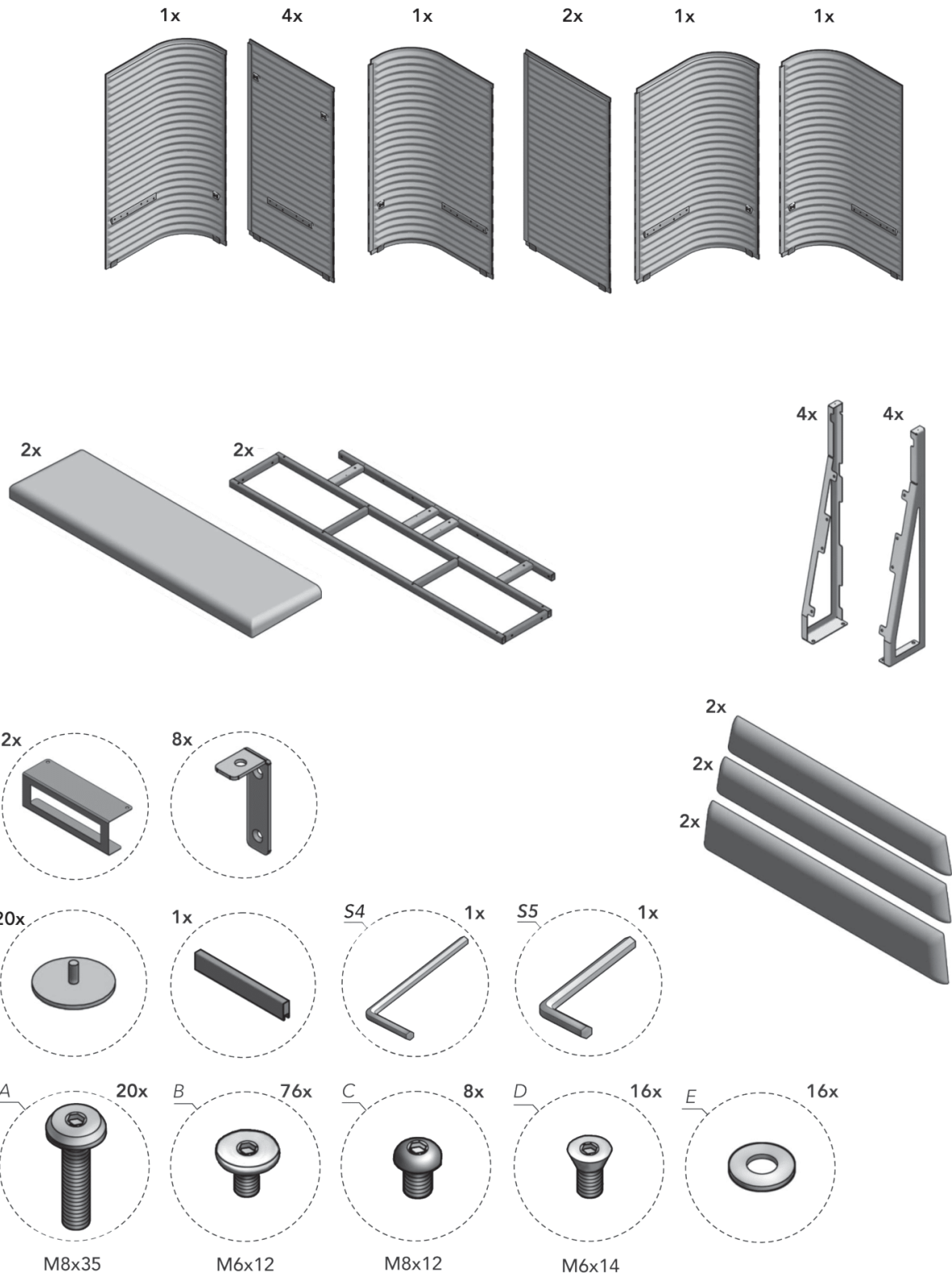
# Soundroom

Working Room  
Triple Low Seating

design:  
Tomek Rygalik  
2017

# Noti.

SR/WR/TLS



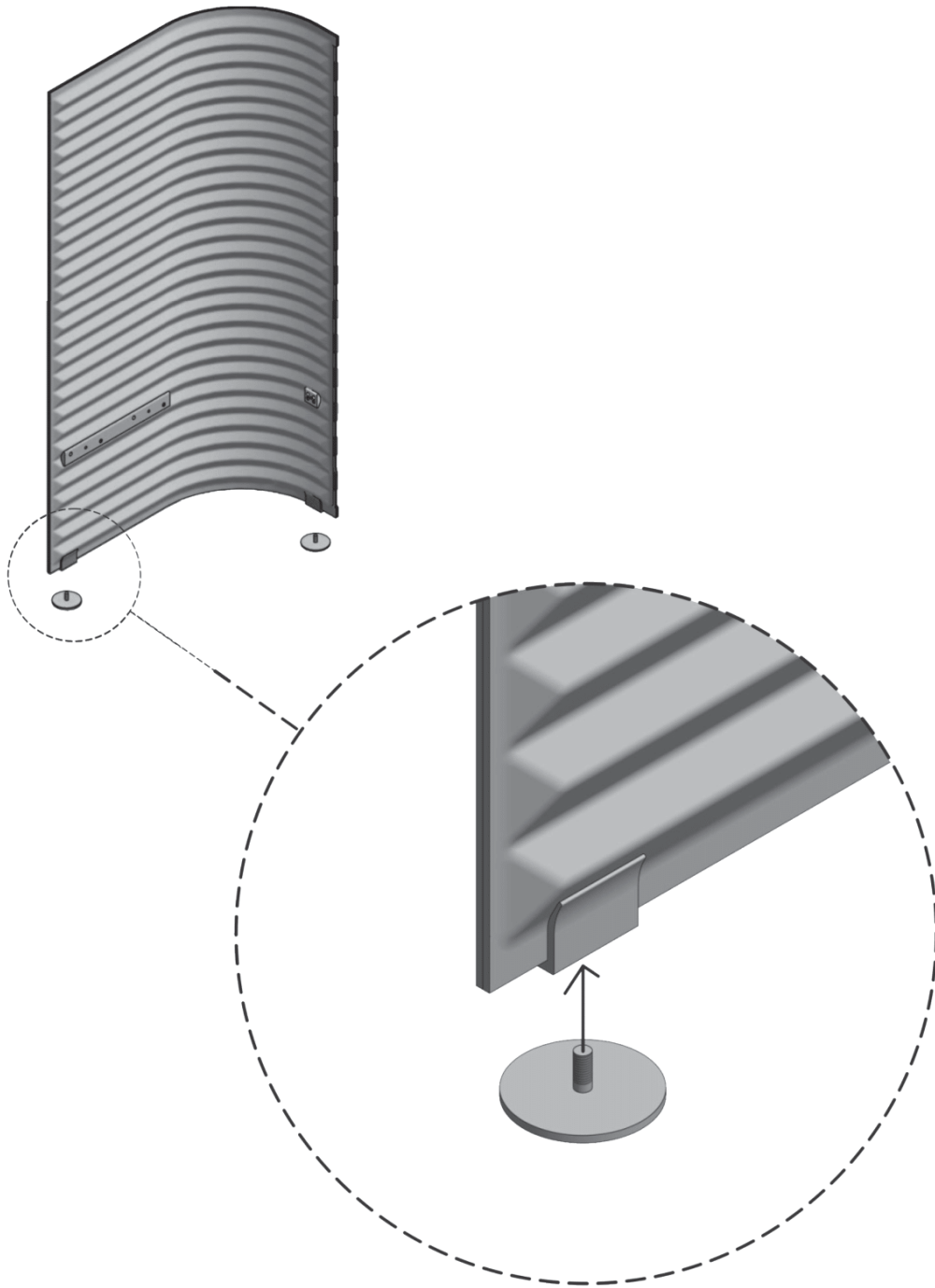
# Soundroom

Working Room  
Triple Low Seating

design:  
Tomek Rygalik  
2017

# Noti.

SR/WR/TLS



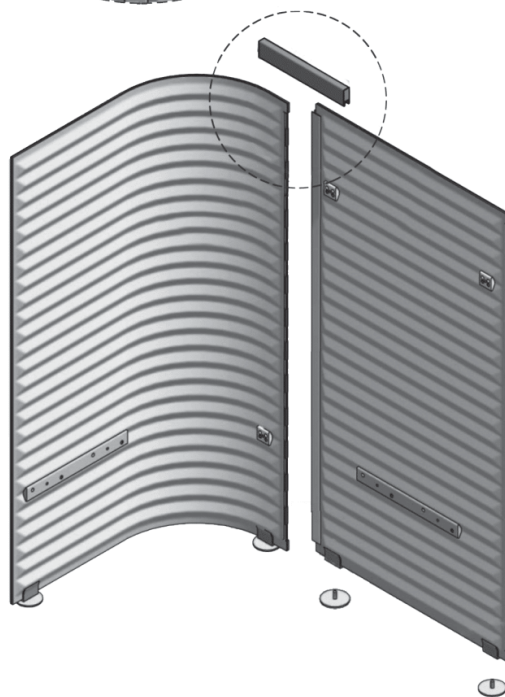
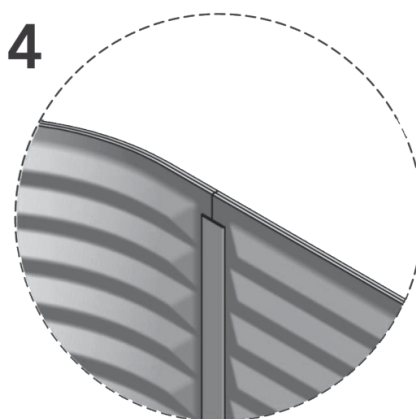
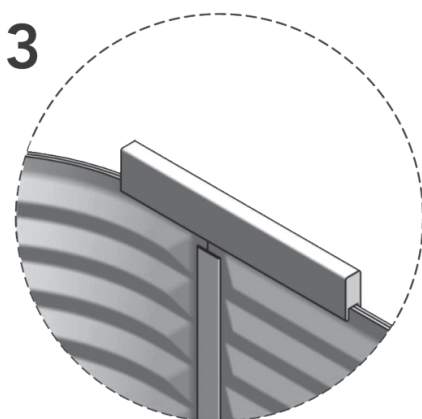
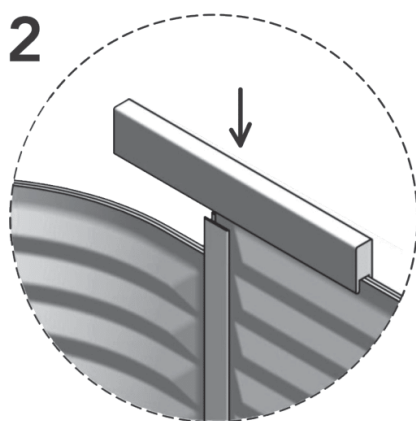
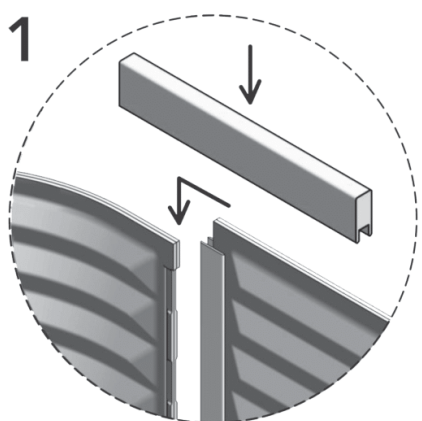
# Soundroom

Working Room  
Triple Low Seating

design:  
Tomek Rygalik  
2017

# Noti.

SR/WR/TLS



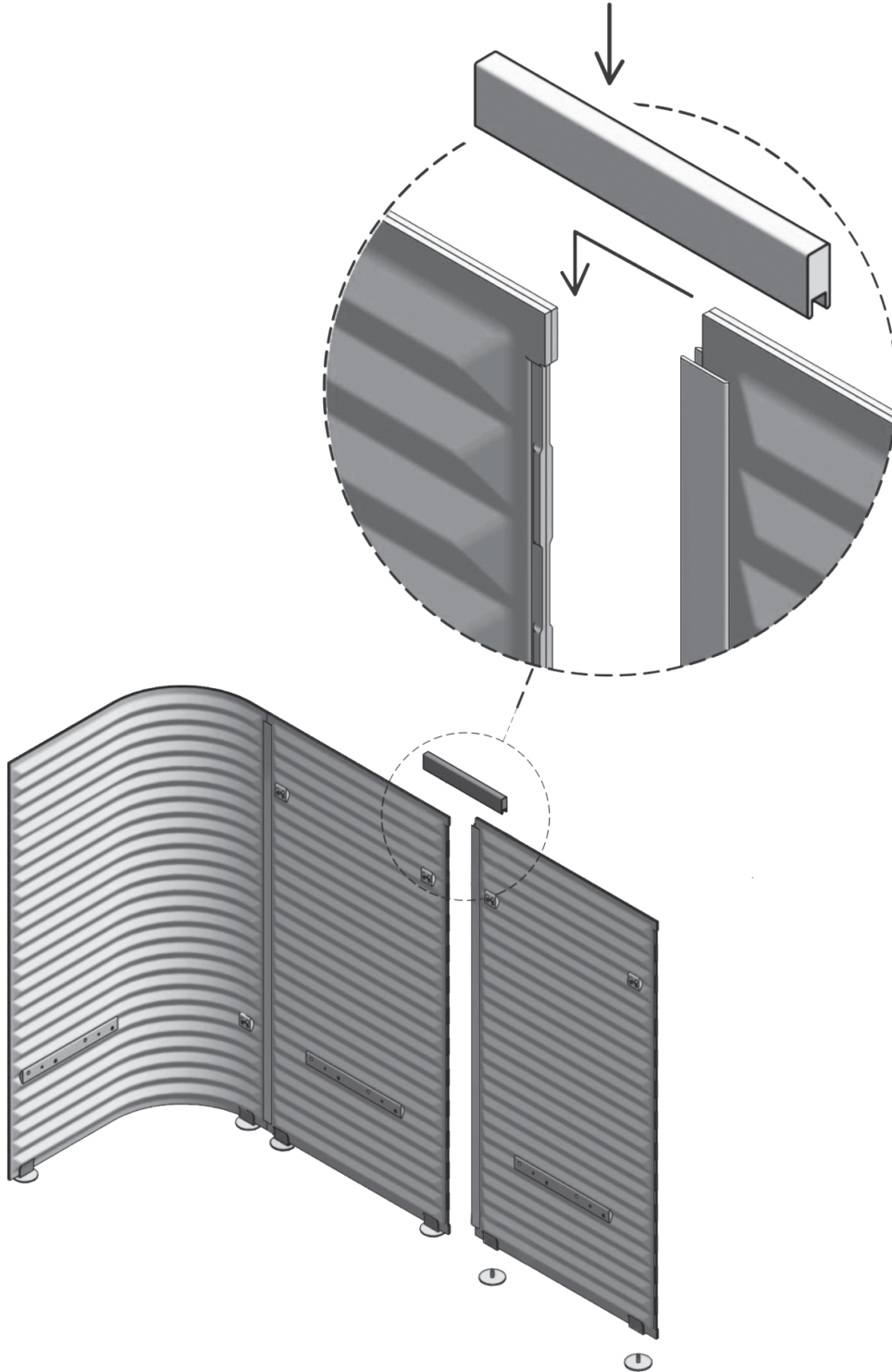
# Soundroom

Working Room  
Triple Low Seating

design:  
Tomek Rygalik  
2017

# Noti.

SR/WR/TLS



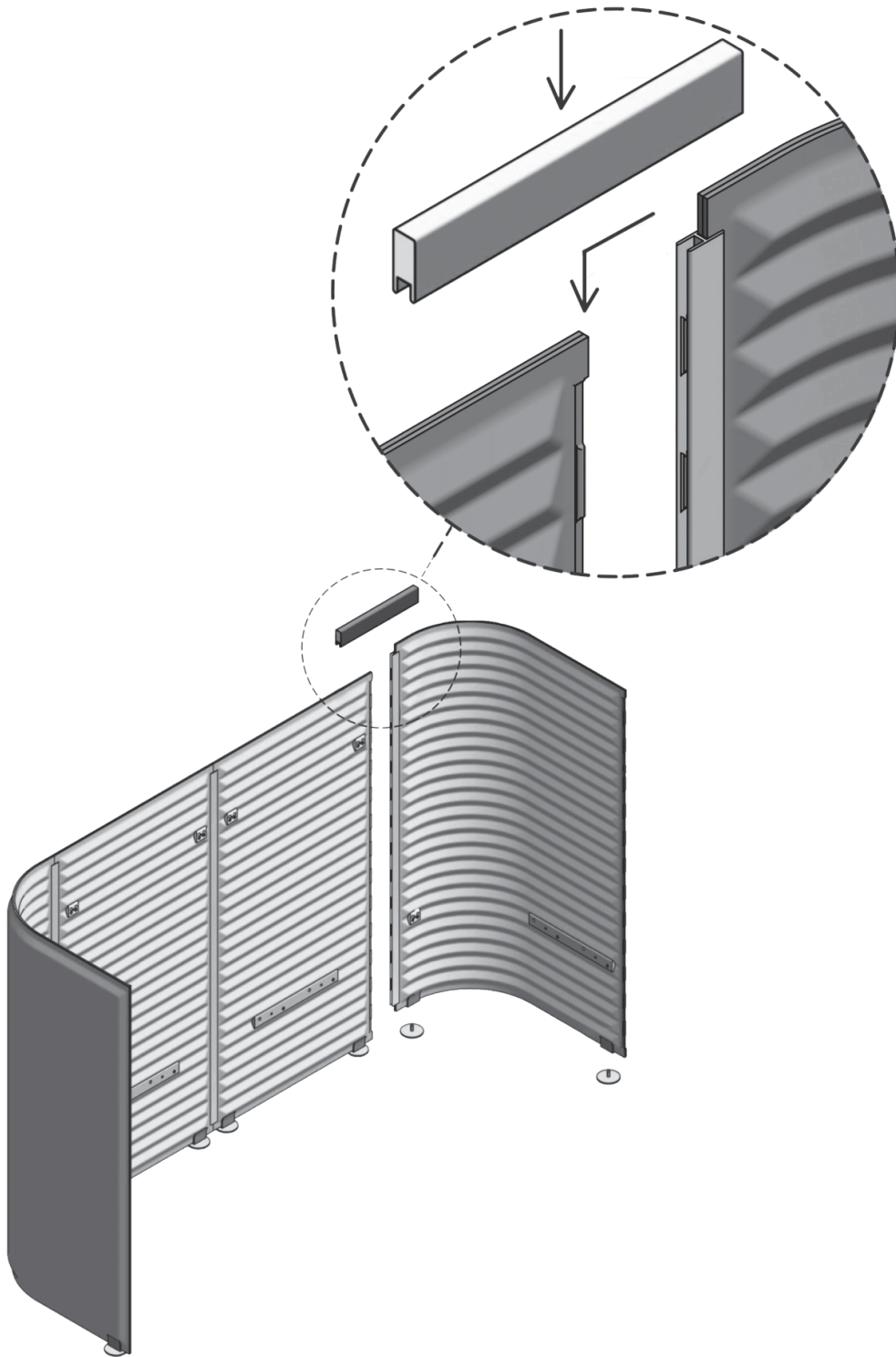
# Soundroom

Working Room  
Triple Low Seating

design:  
Tomek Rygalik  
2017

# Noti.

SR/WR/TLS



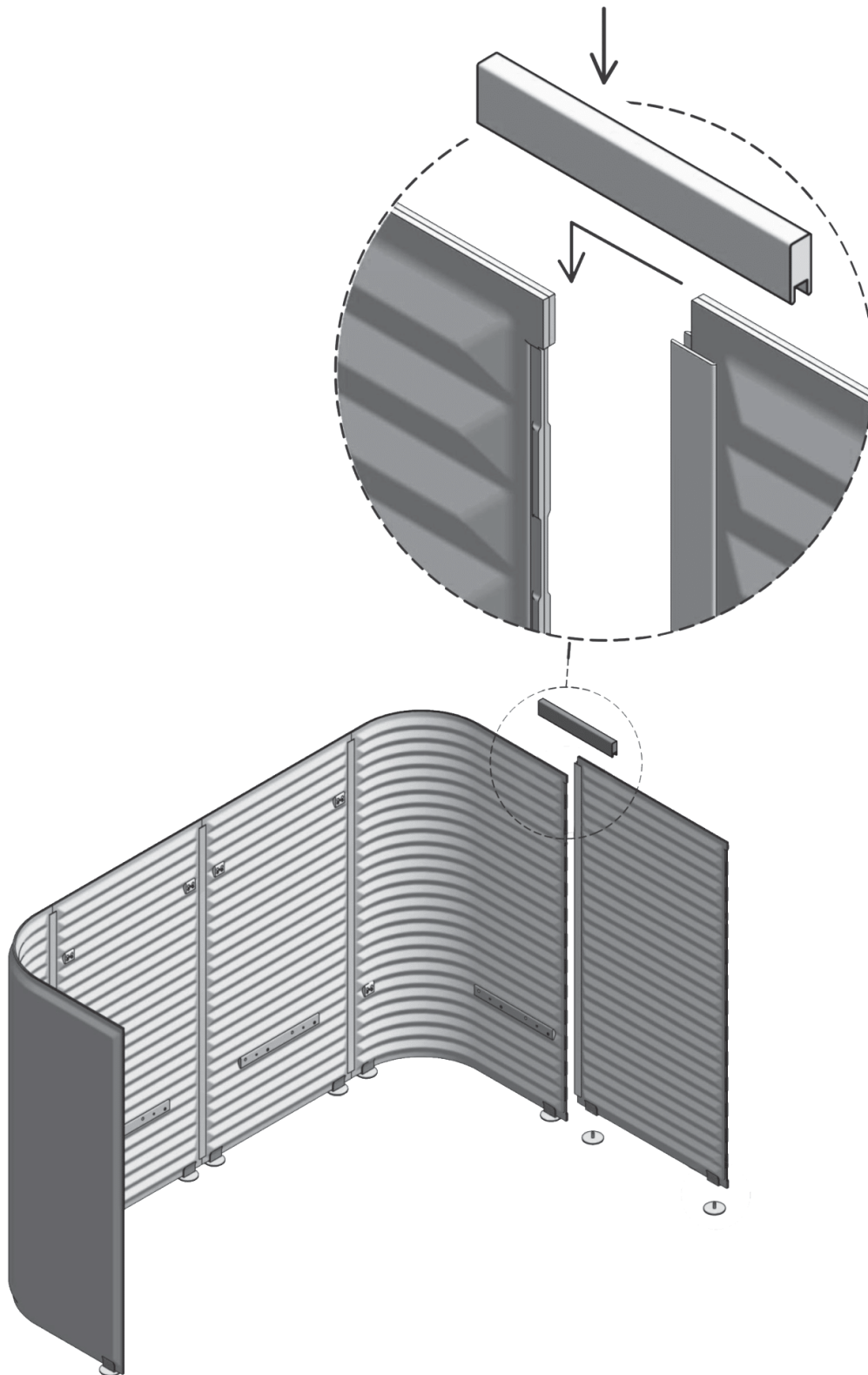
# Soundroom

Working Room  
Triple Low Seating

design:  
Tomek Rygalik  
2017

# Noti.

SR/WR/TLS



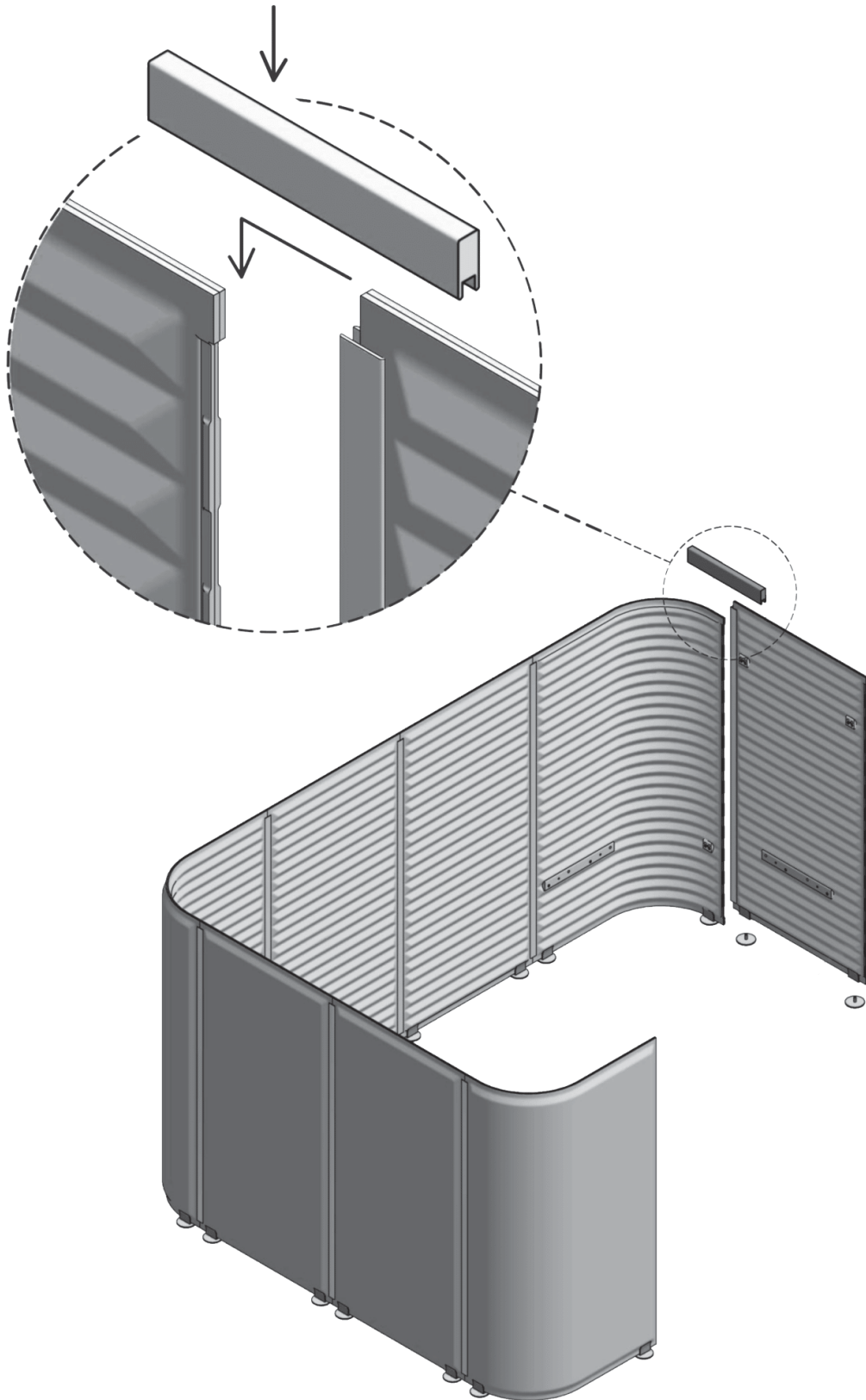
# Soundroom

Working Room  
Triple Low Seating

design:  
Tomek Rygalik  
2017

# Noti.

SR/WR/TLS





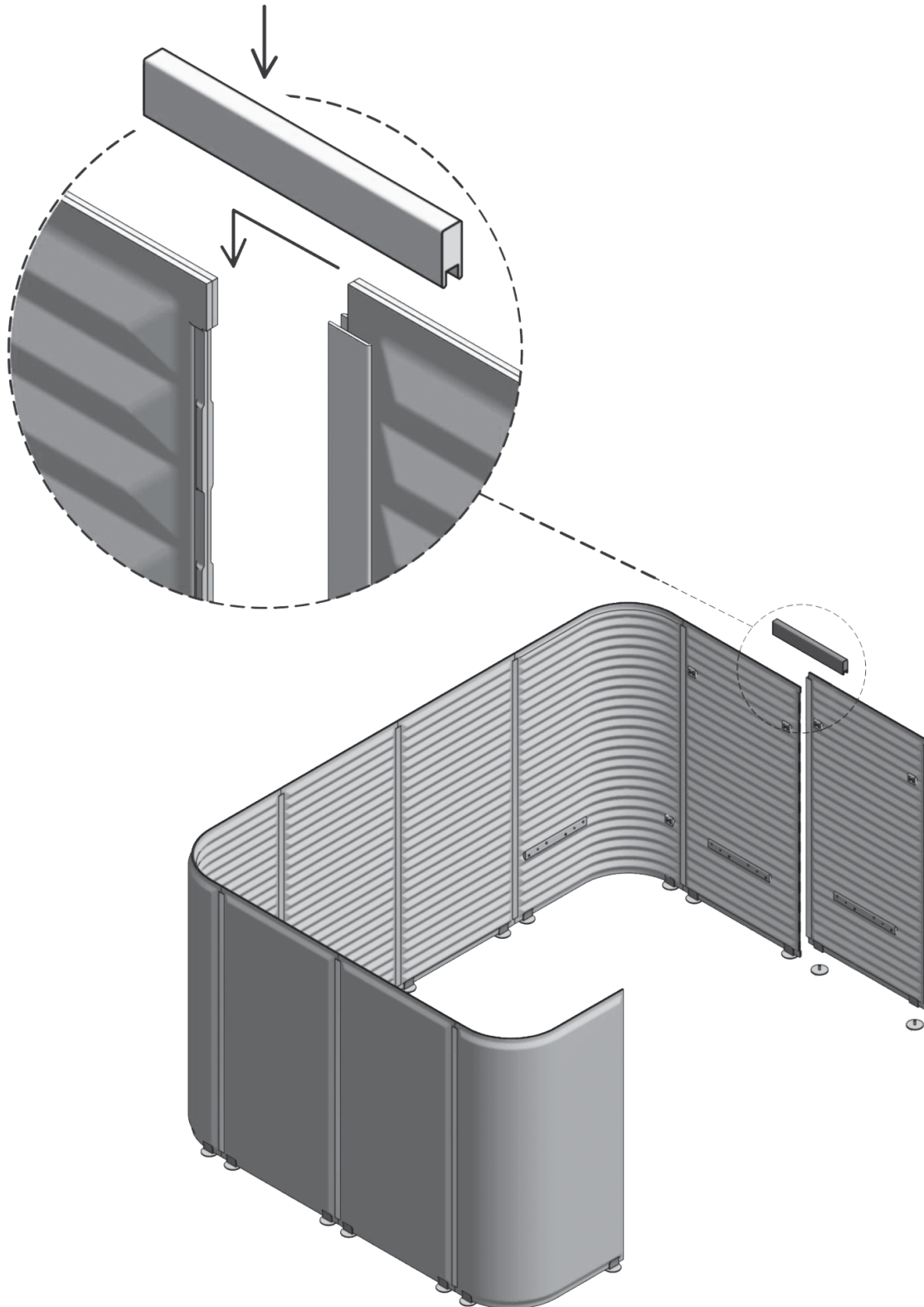
# Soundroom

Working Room  
Triple Low Seating

design:  
Tomek Rygalik  
2017

# Noti.

SR/WR/TLS



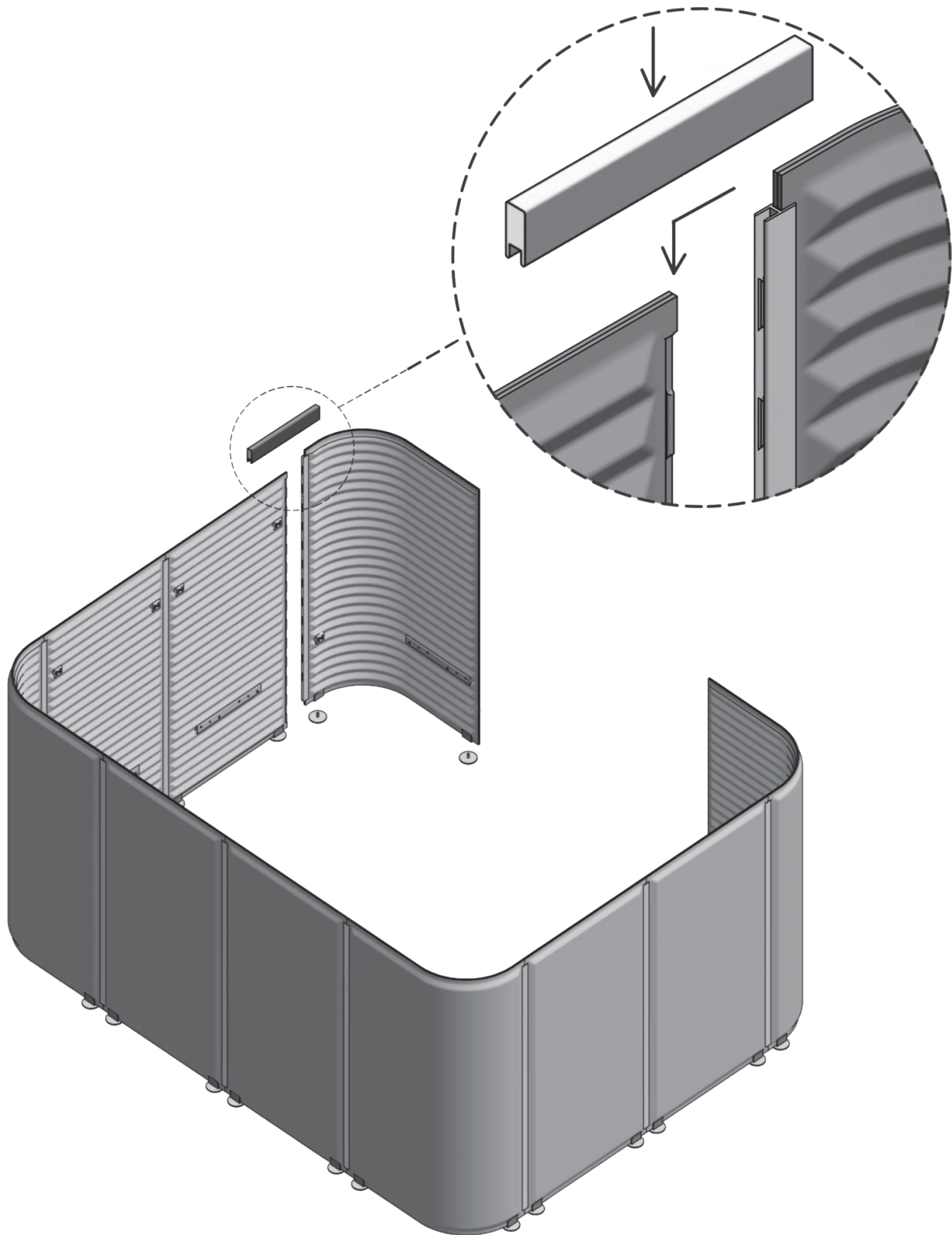
# Soundroom

Working Room  
Triple Low Seating

design:  
Tomek Rygalik  
2017

# Noti.

SR/WR/TLS



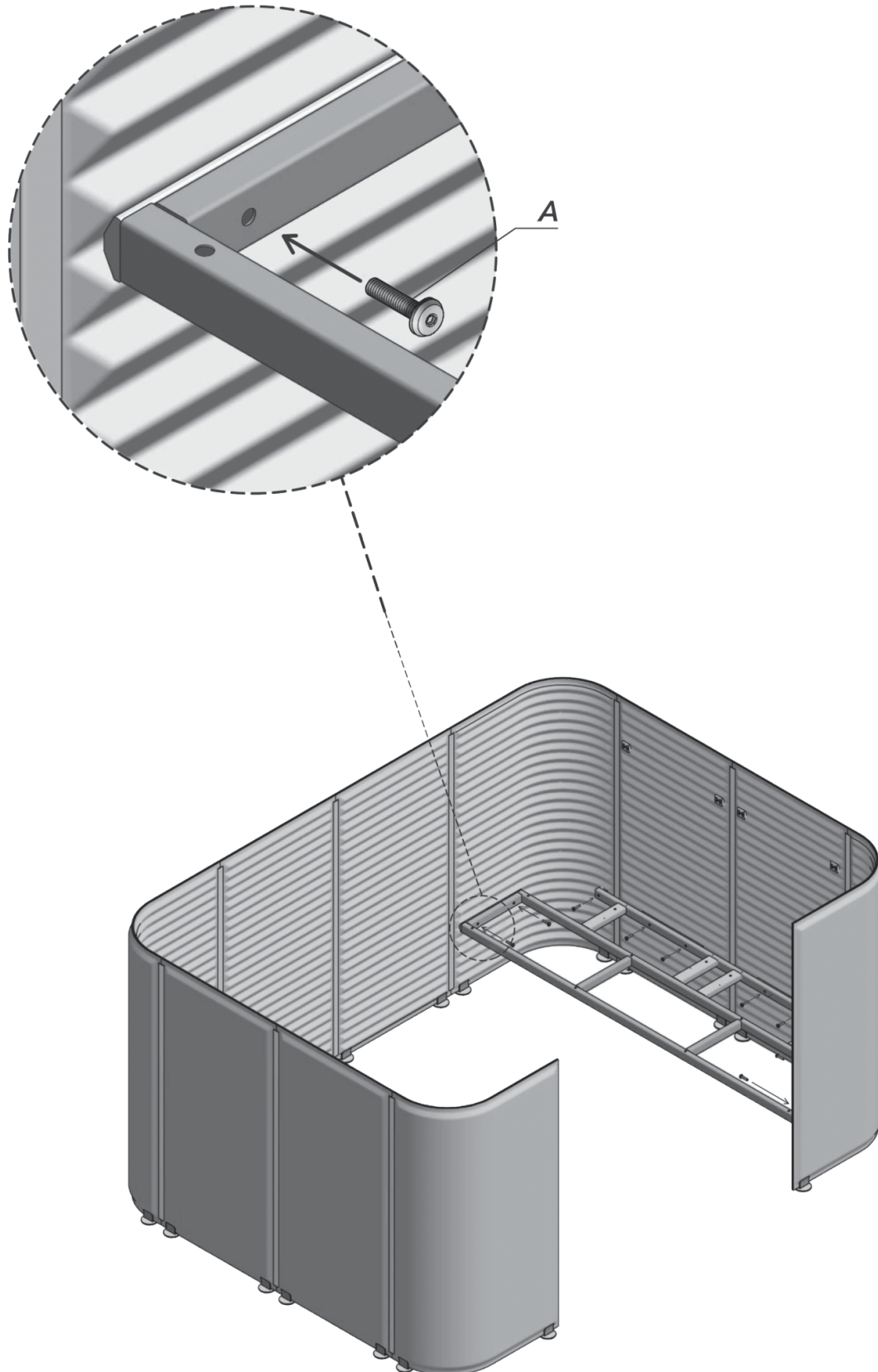
# Soundroom

Working Room  
Triple Low Seating

design:  
Tomek Rygalik  
2017

# Noti.

SR/WR/TLS



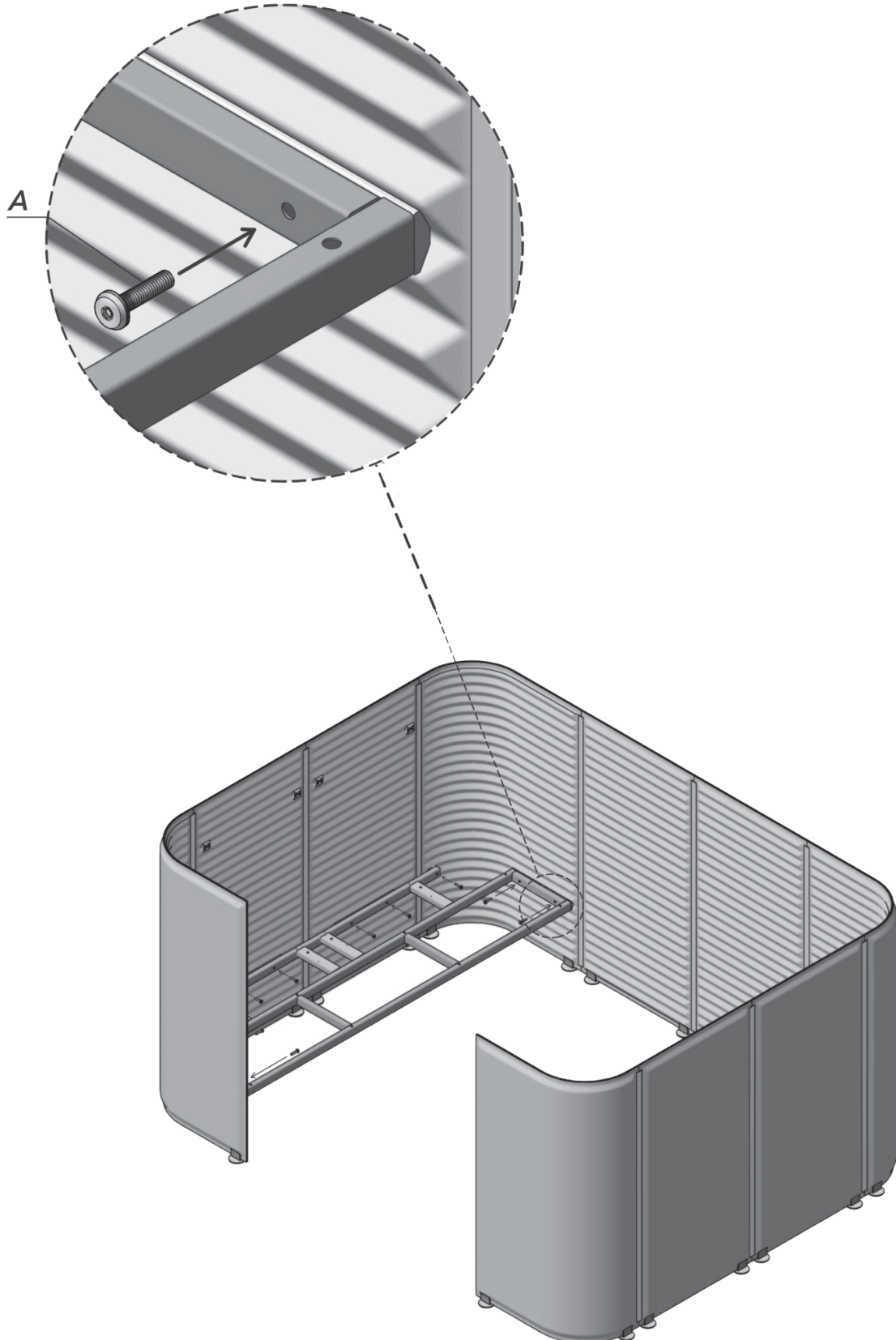
# Soundroom

Working Room  
Triple Low Seating

design:  
Tomek Rygalik  
2017

# Noti.

SR/WR/TLS



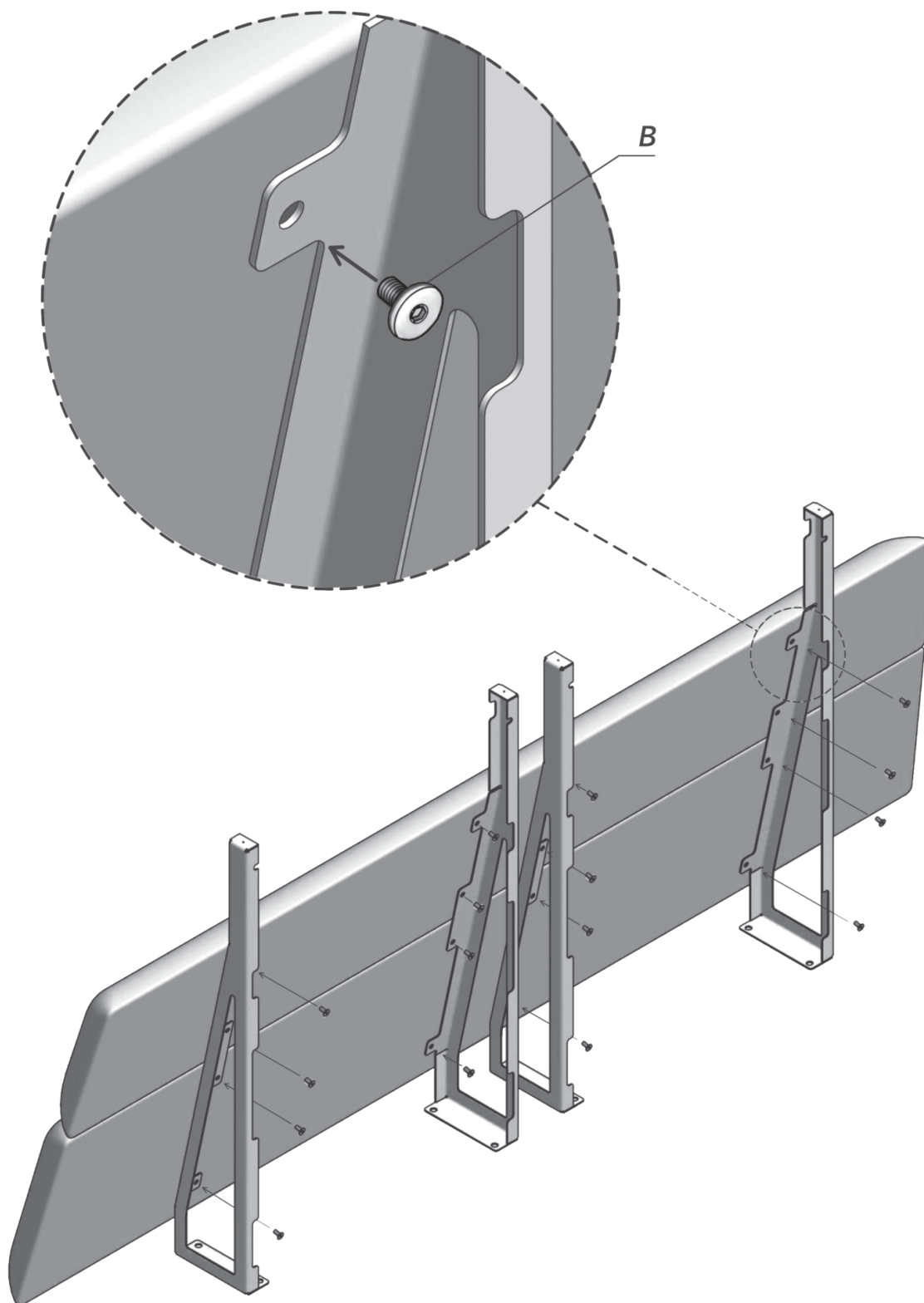
# Soundroom

Working Room  
Triple Low Seating

design:  
Tomek Rygalik  
2017

# Noti.

SR/WR/TLS



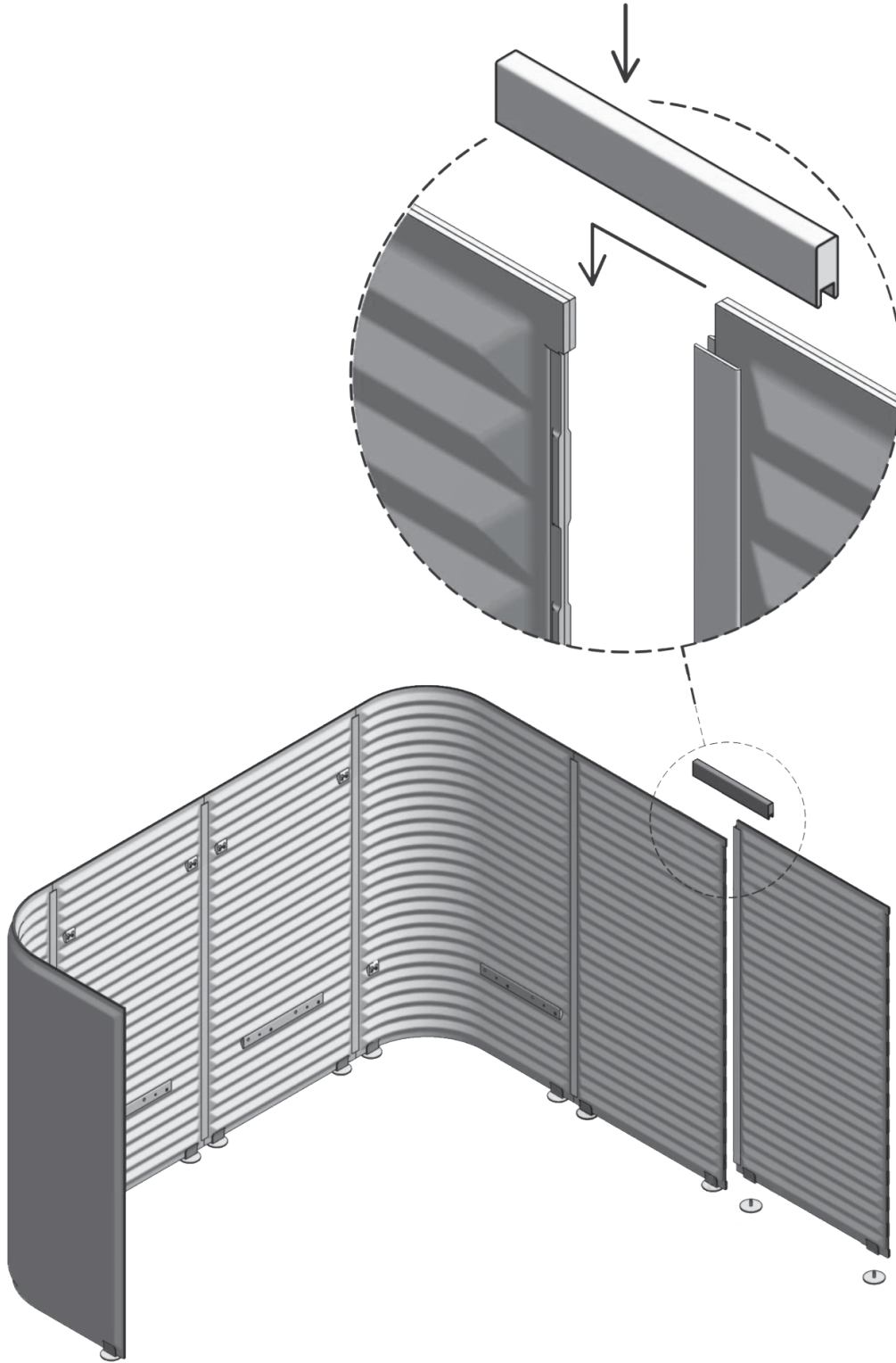
# Soundroom

Working Room  
Triple Low Seating

design:  
Tomek Rygalik  
2017

# Noti.

SR/WR/TLS



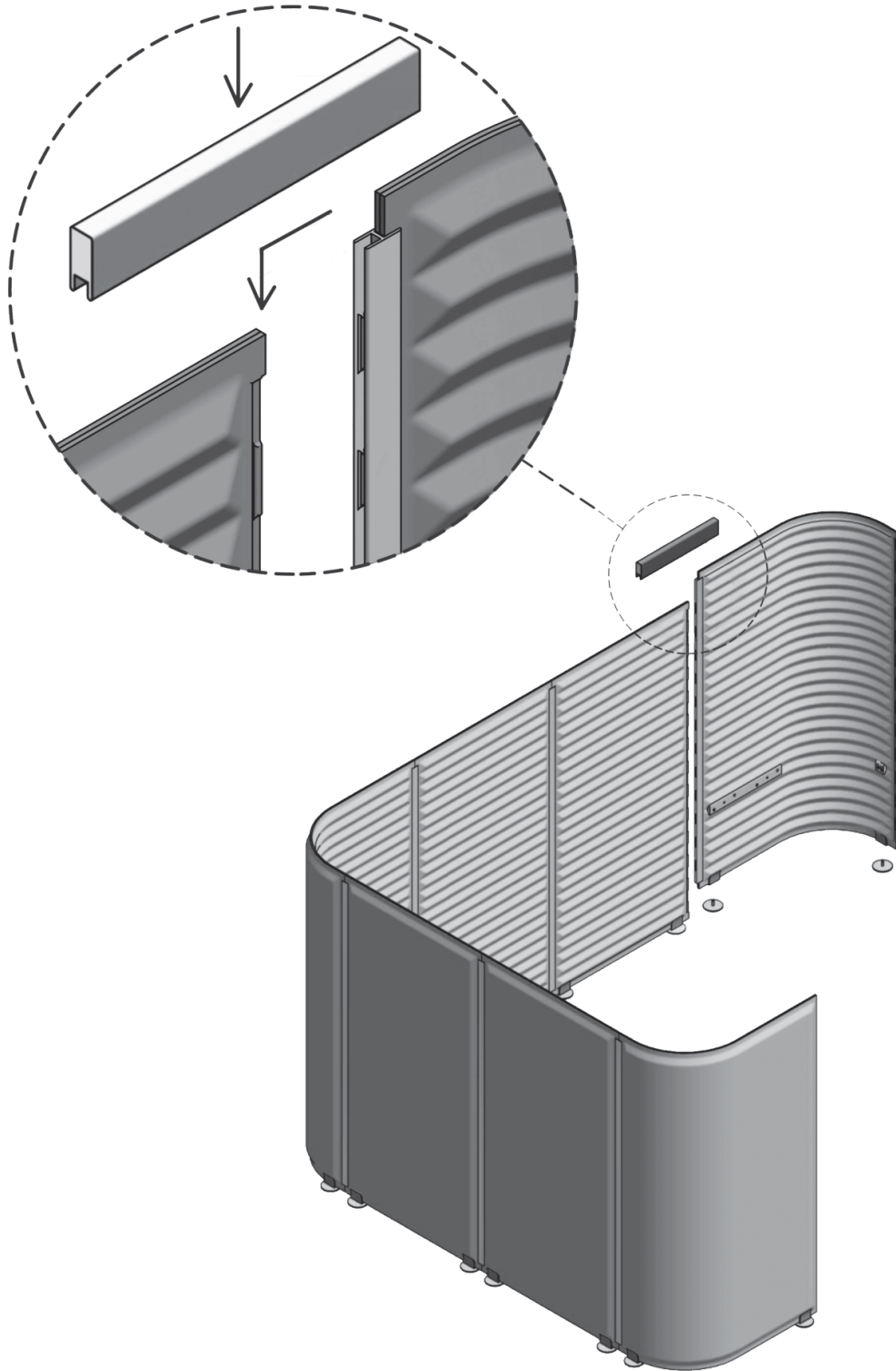
# Soundroom

Working Room  
Triple Low Seating

design:  
Tomek Rygalik  
2017

# Noti.

SR/WR/TLS



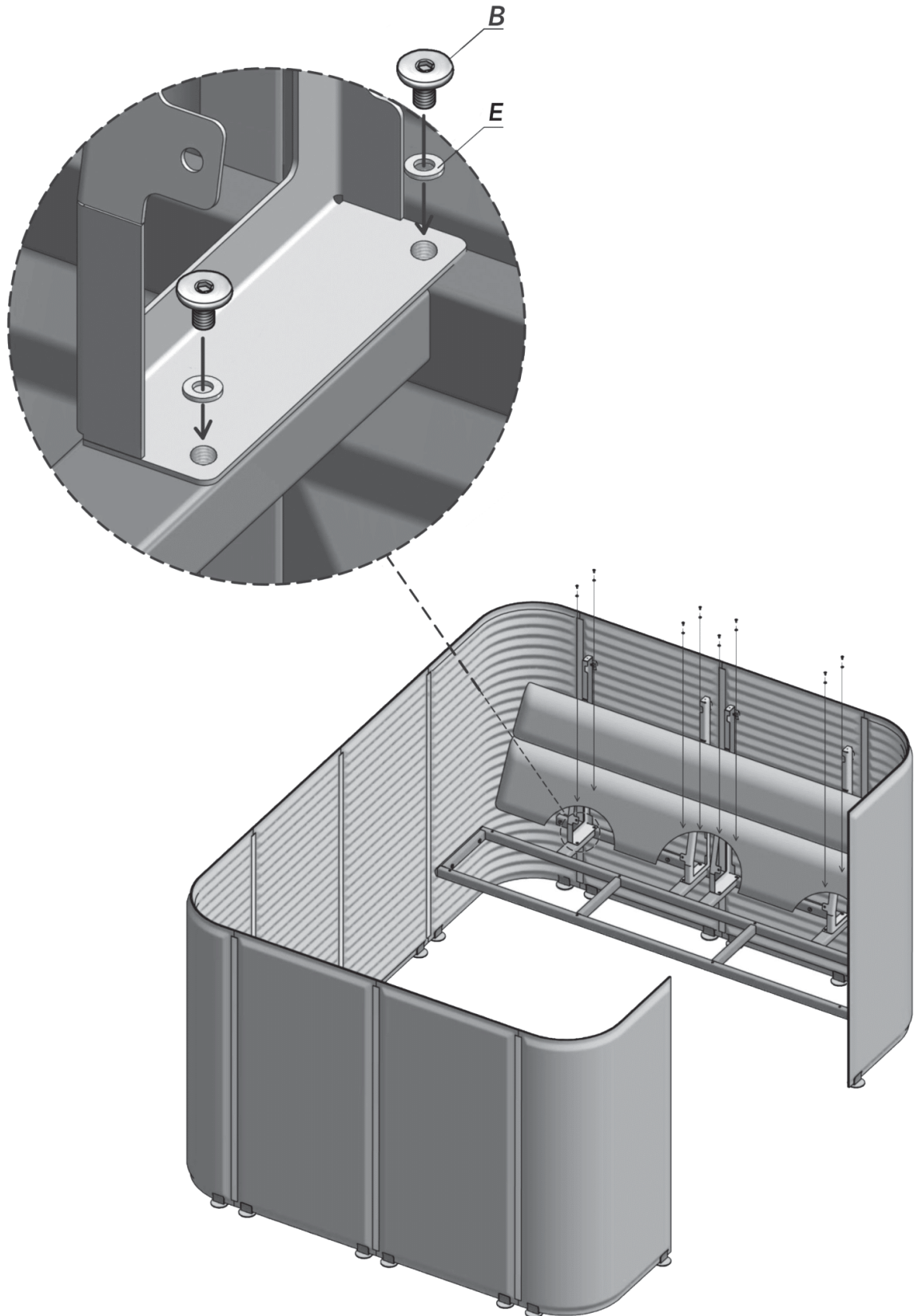
# Soundroom

Working Room  
Triple Low Seating

design:  
Tomek Rygalik  
2017

# Noti.

SR/WR/TLS





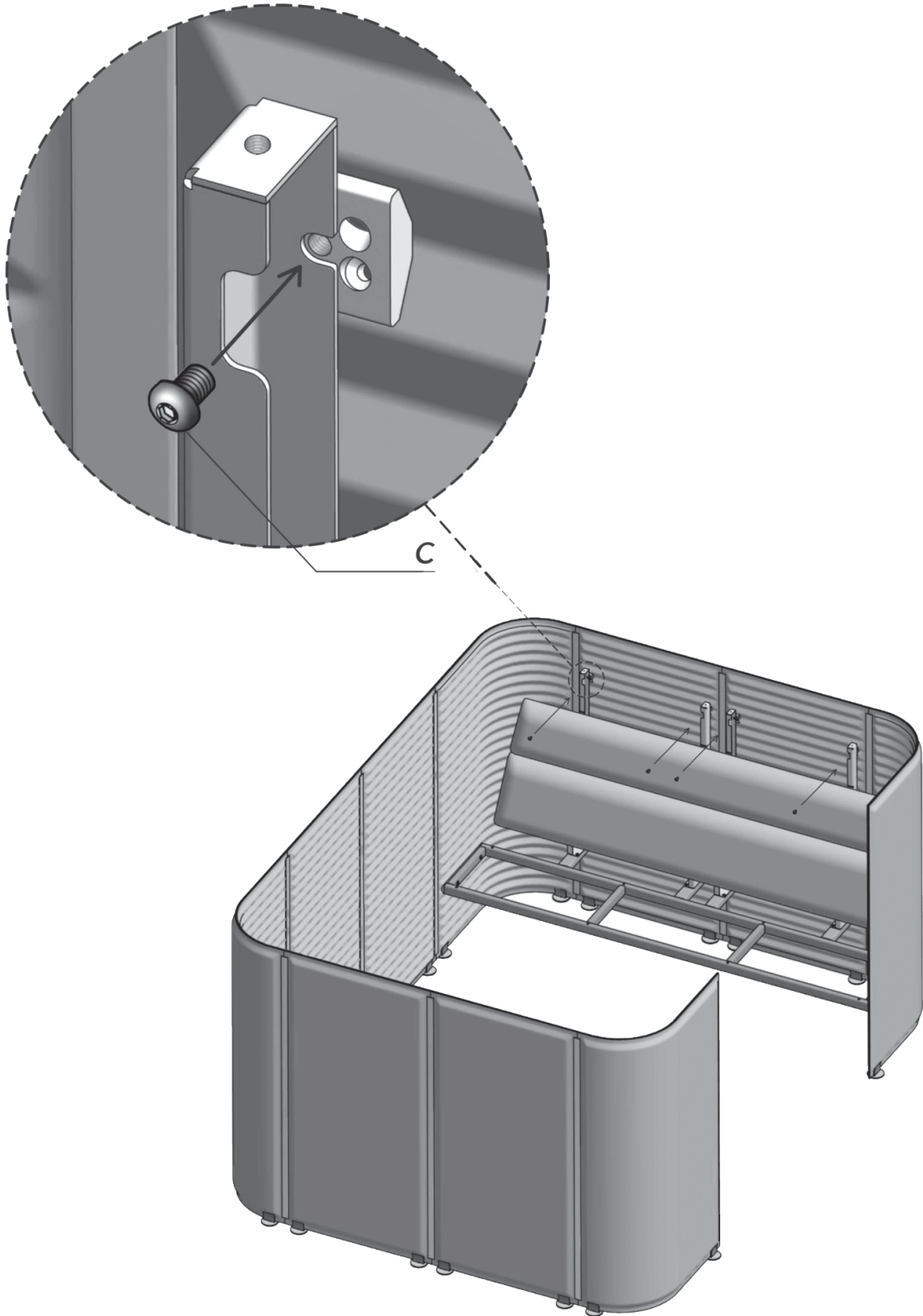
# Soundroom

Working Room  
Triple Low Seating

design:  
Tomek Rygalik  
2017

# Noti.

SR/WR/TLS



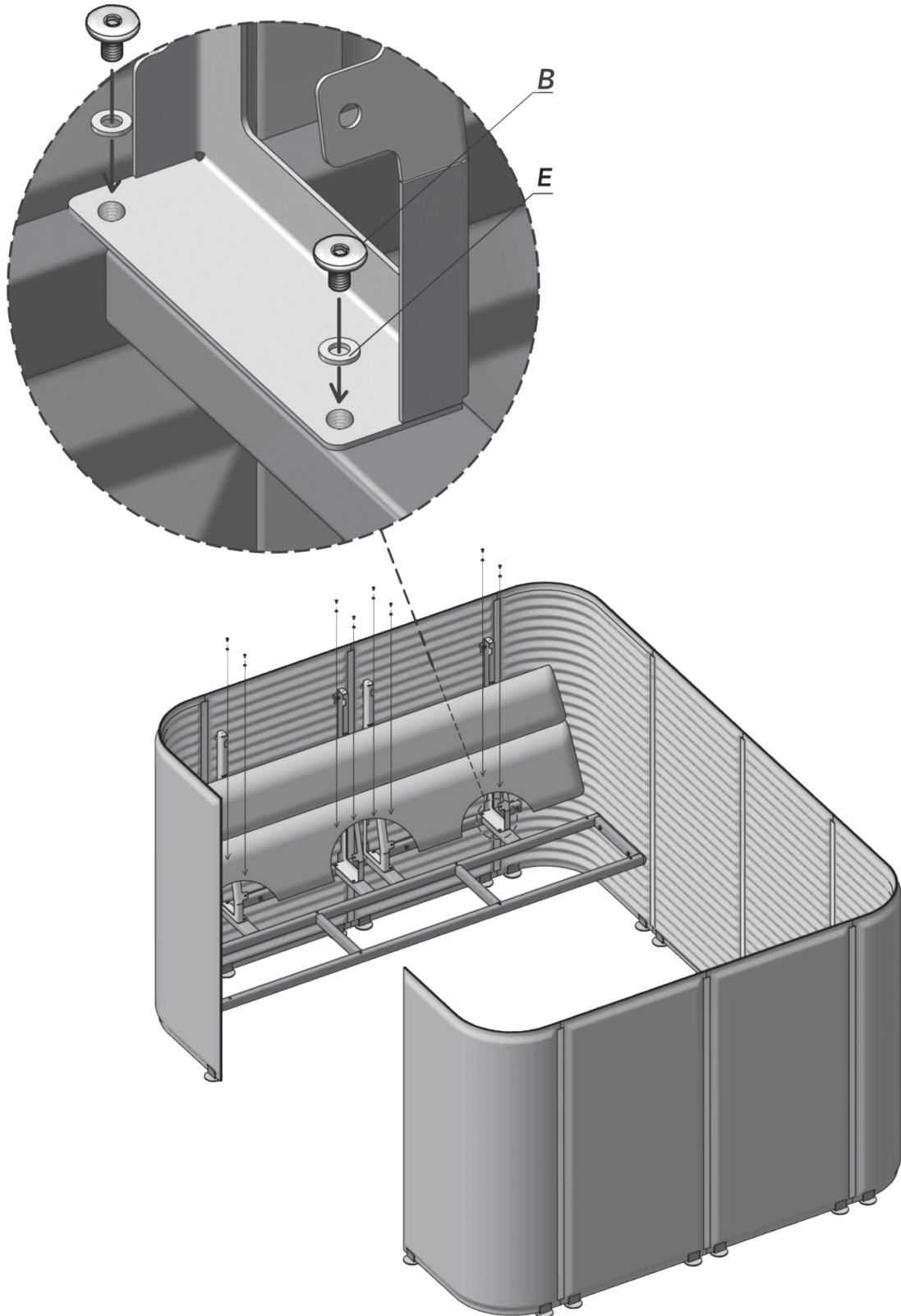
# Soundroom

Working Room  
Triple Low Seating

design:  
Tomek Rygalik  
2017

# Noti.

SR/WR/TLS



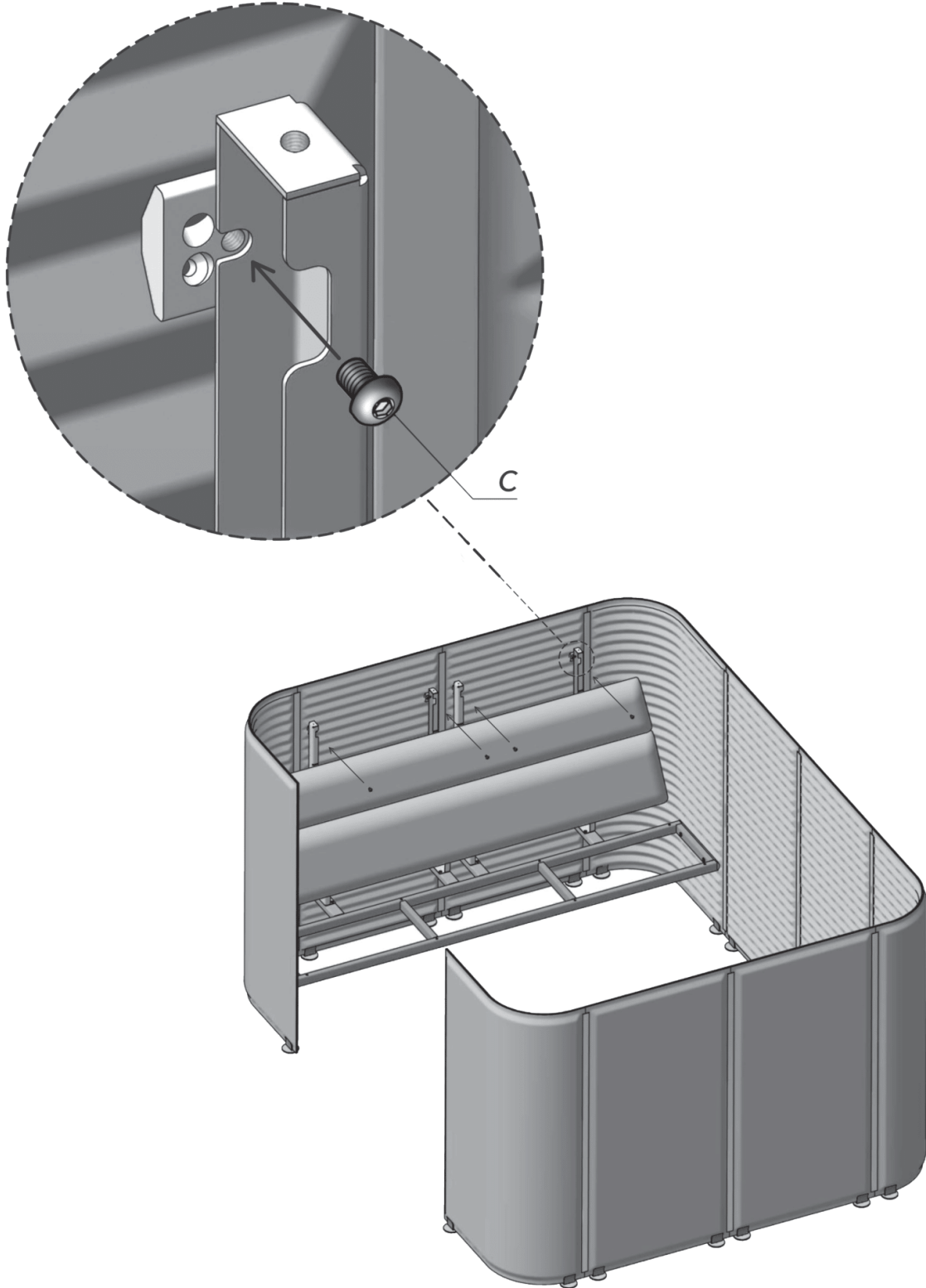
# Soundroom

Working Room  
Triple Low Seating

design:  
Tomek Rygalik  
2017

# Noti.

SR/WR/TLS



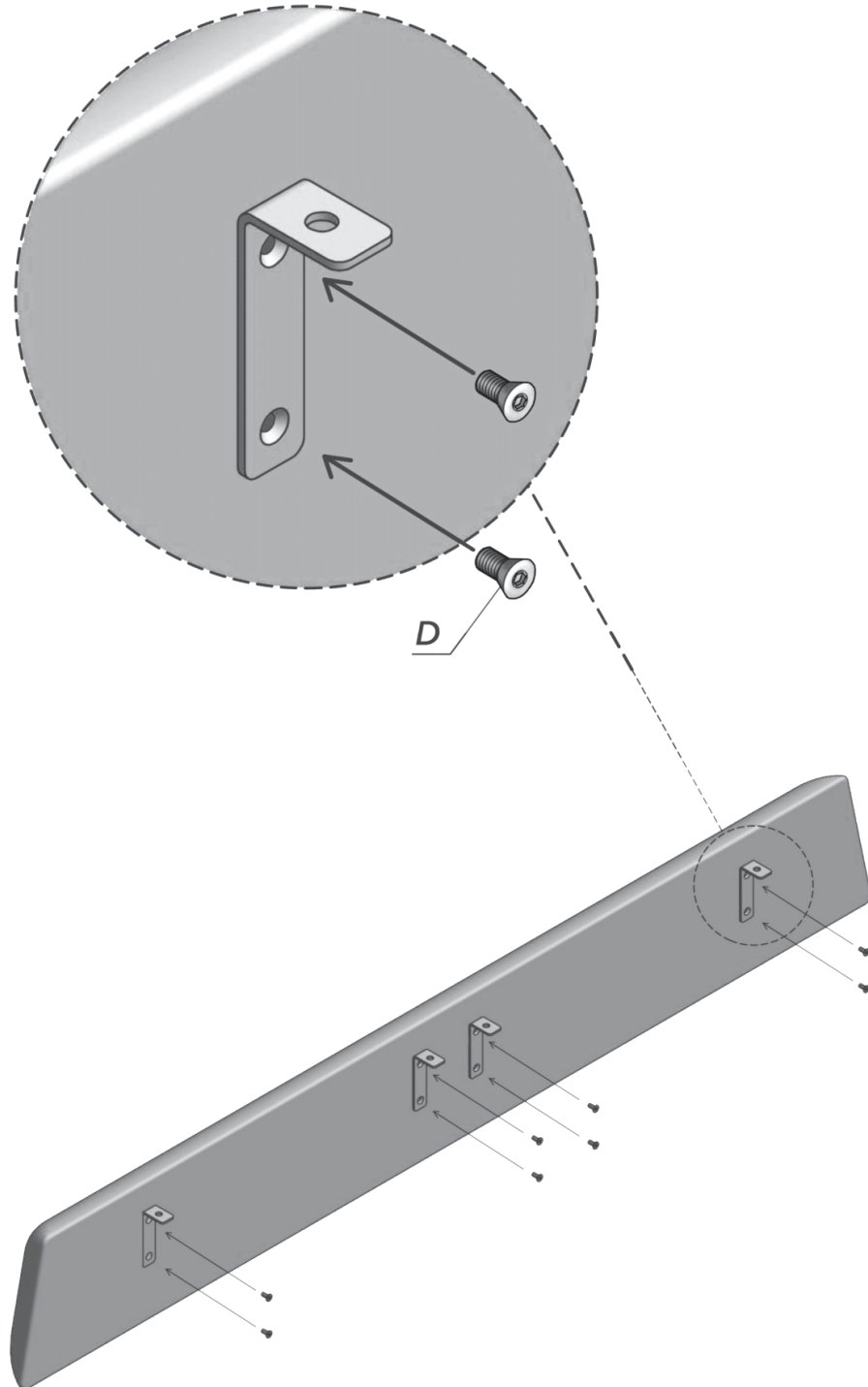
# Soundroom

Working Room  
Triple Low Seating

design:  
Tomek Rygalik  
2017

# Noti.

SR/WR/TLS



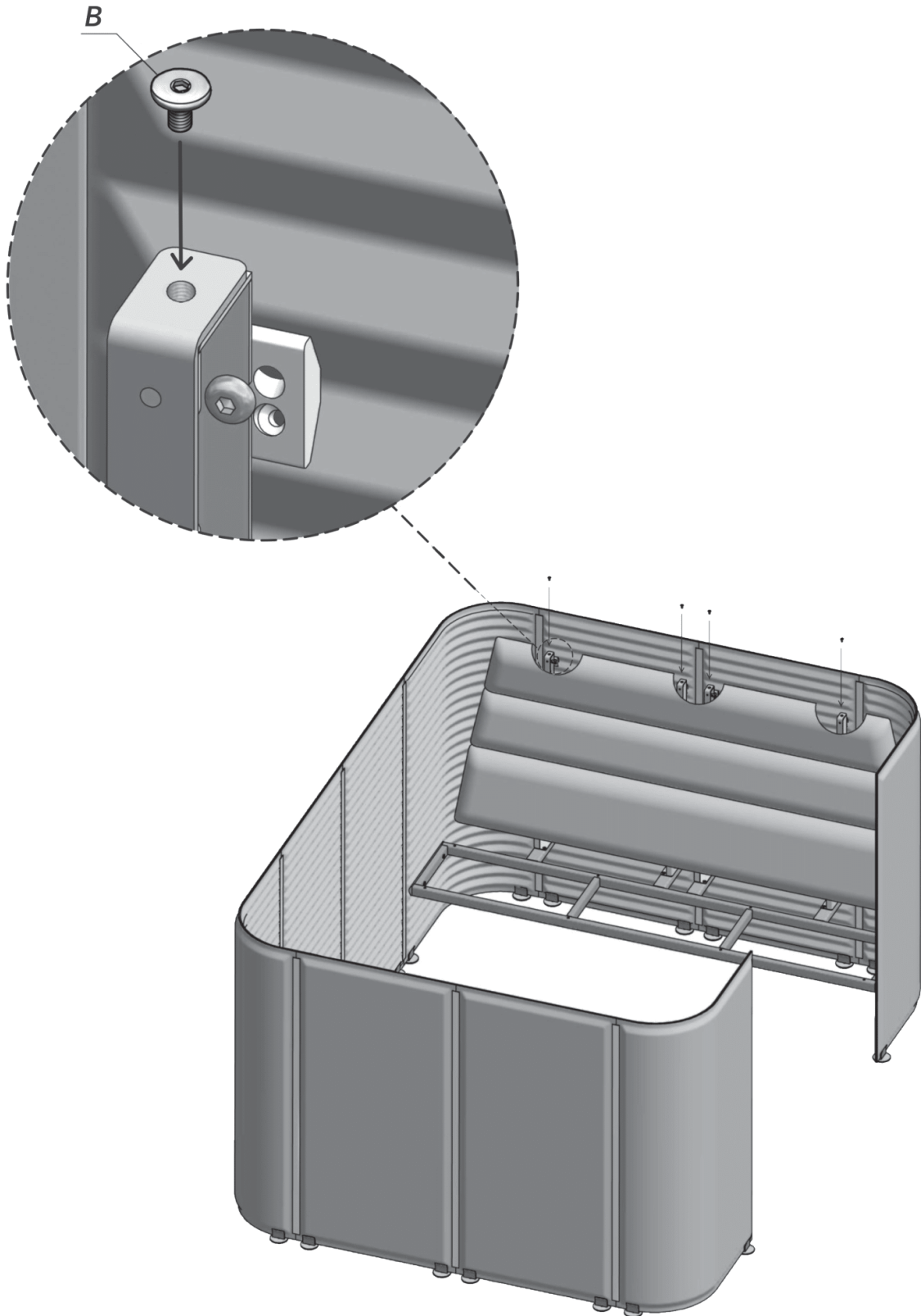
# Soundroom

Working Room  
Triple Low Seating

design:  
Tomek Rygalik  
2017

# Noti.

SR/WR/TLS



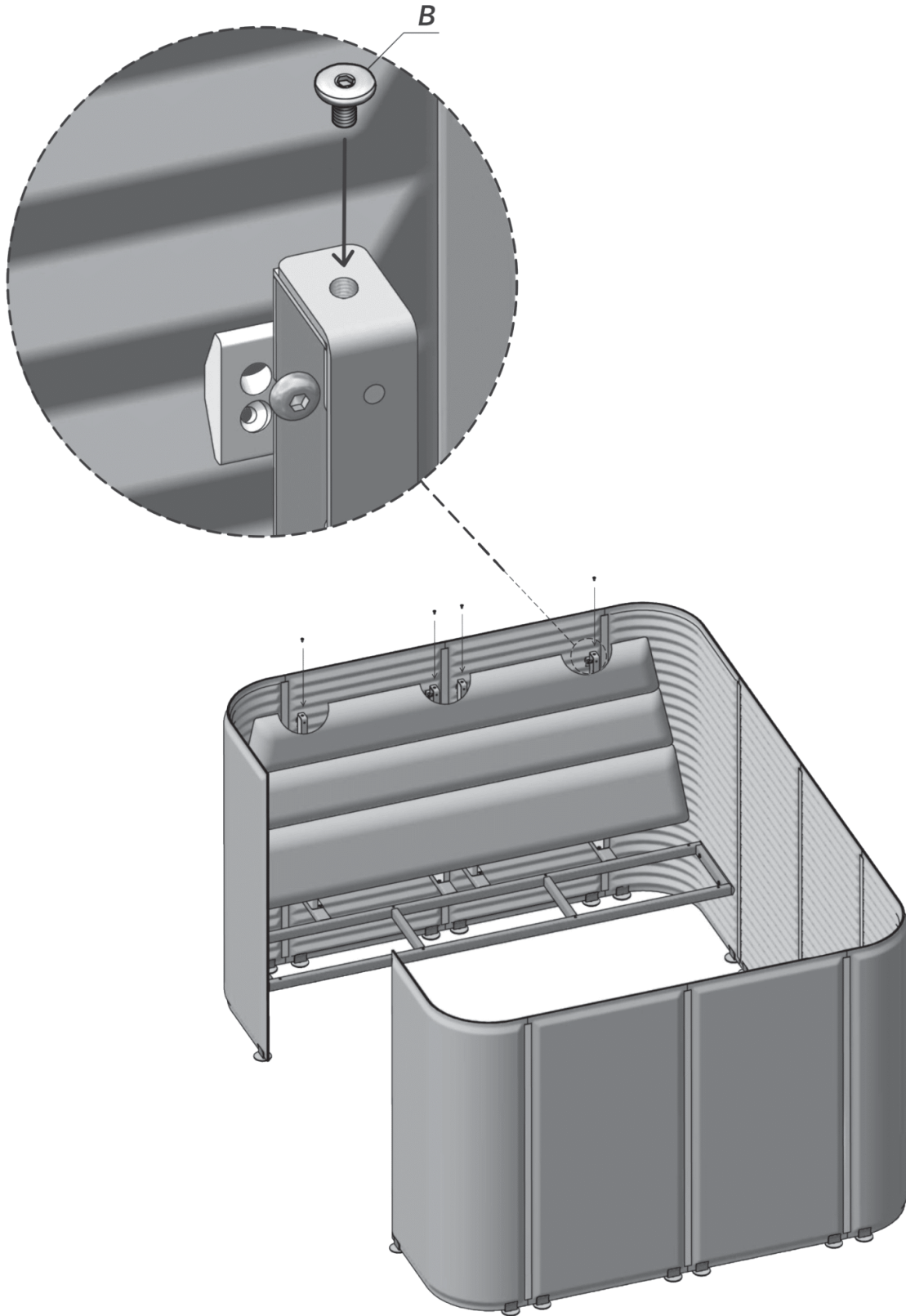
# Soundroom

Working Room  
Triple Low Seating

design:  
Tomek Rygalik  
2017

# Noti.

SR/WR/TLS



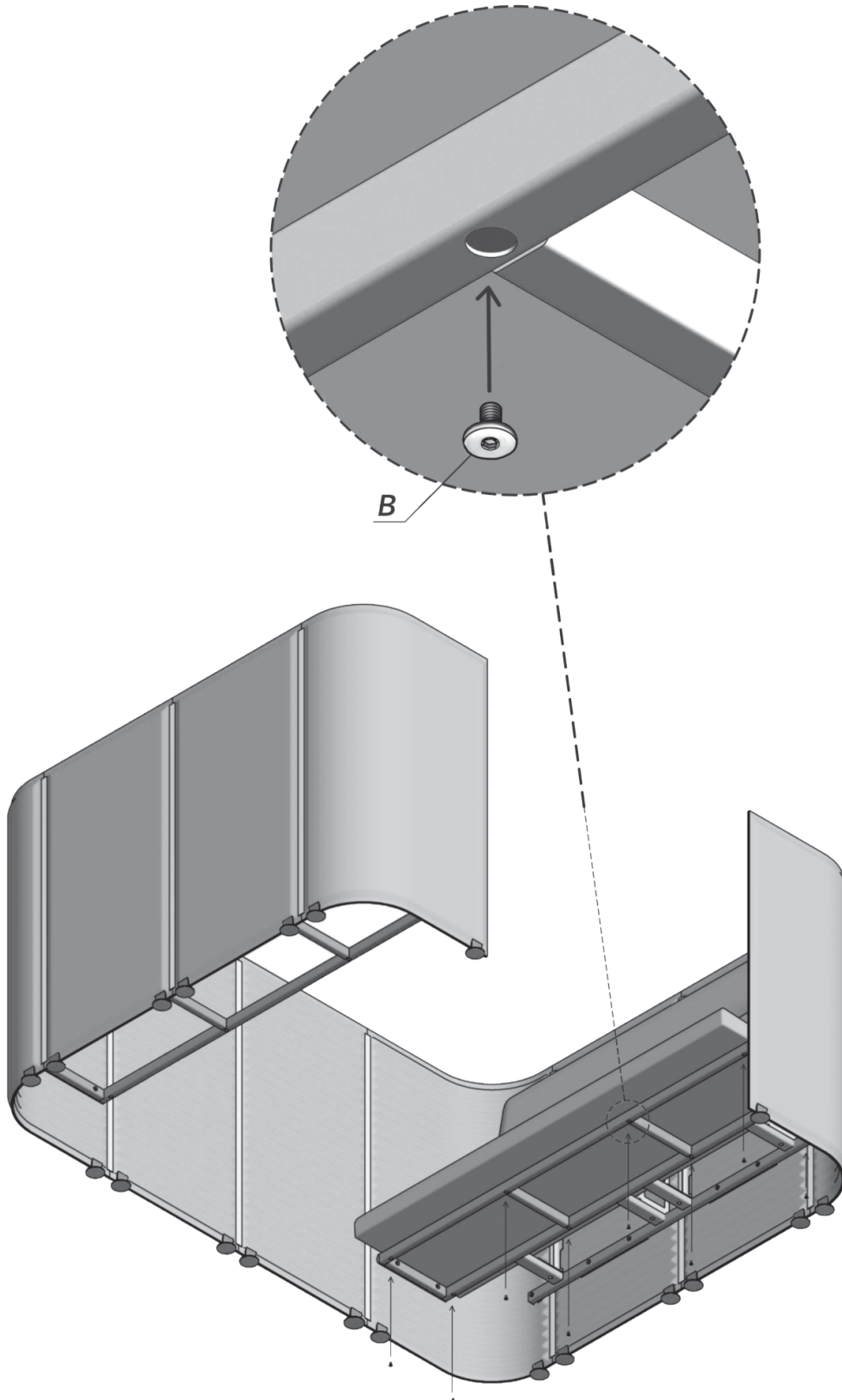
# Soundroom

Working Room  
Triple Low Seating

design:  
Tomek Rygalik  
2017

# Noti.

SR/WR/TLS



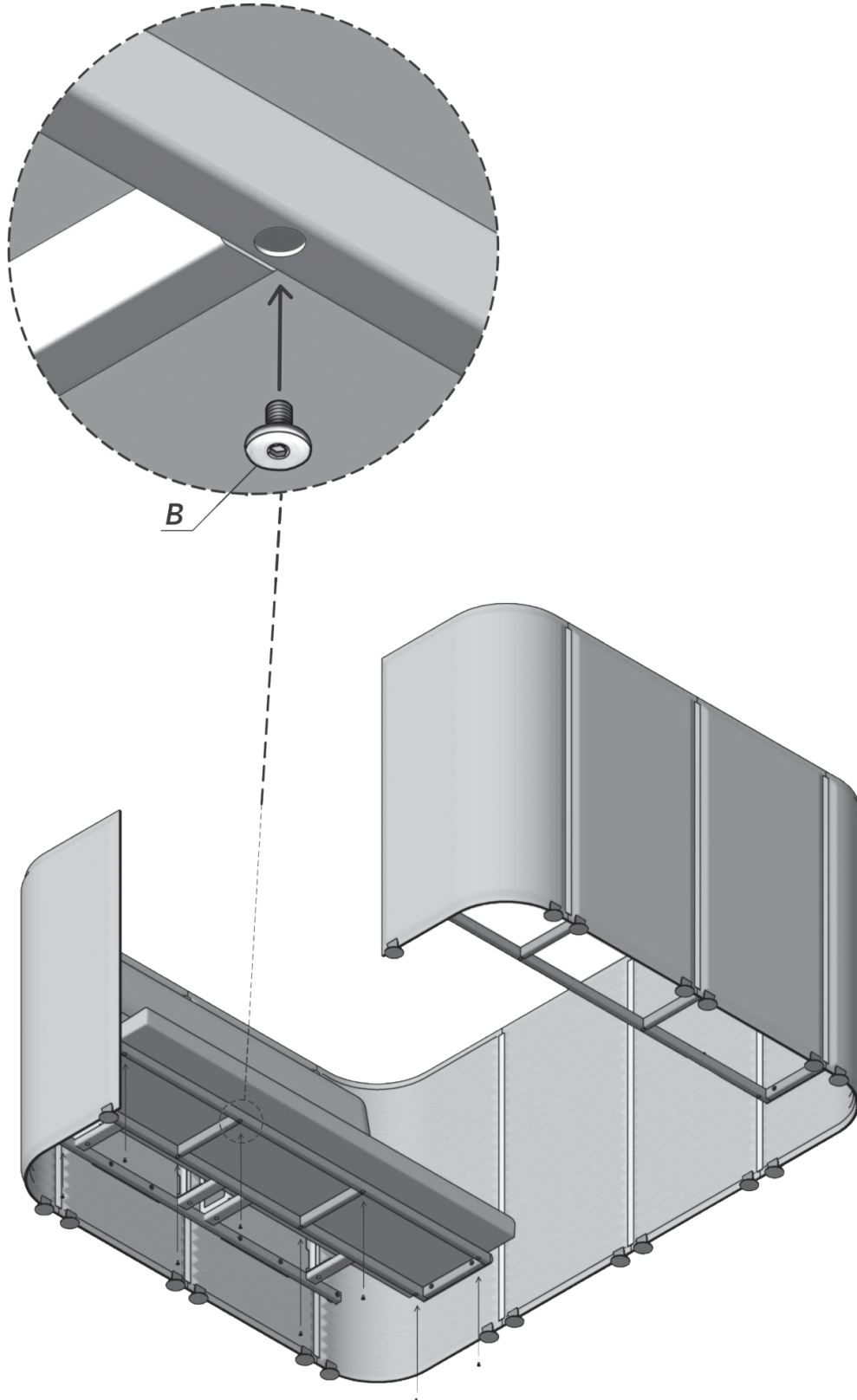
# Soundroom

Working Room  
Triple Low Seating

design:  
Tomek Rygalik  
2017

# Noti.

SR/WR/TLS





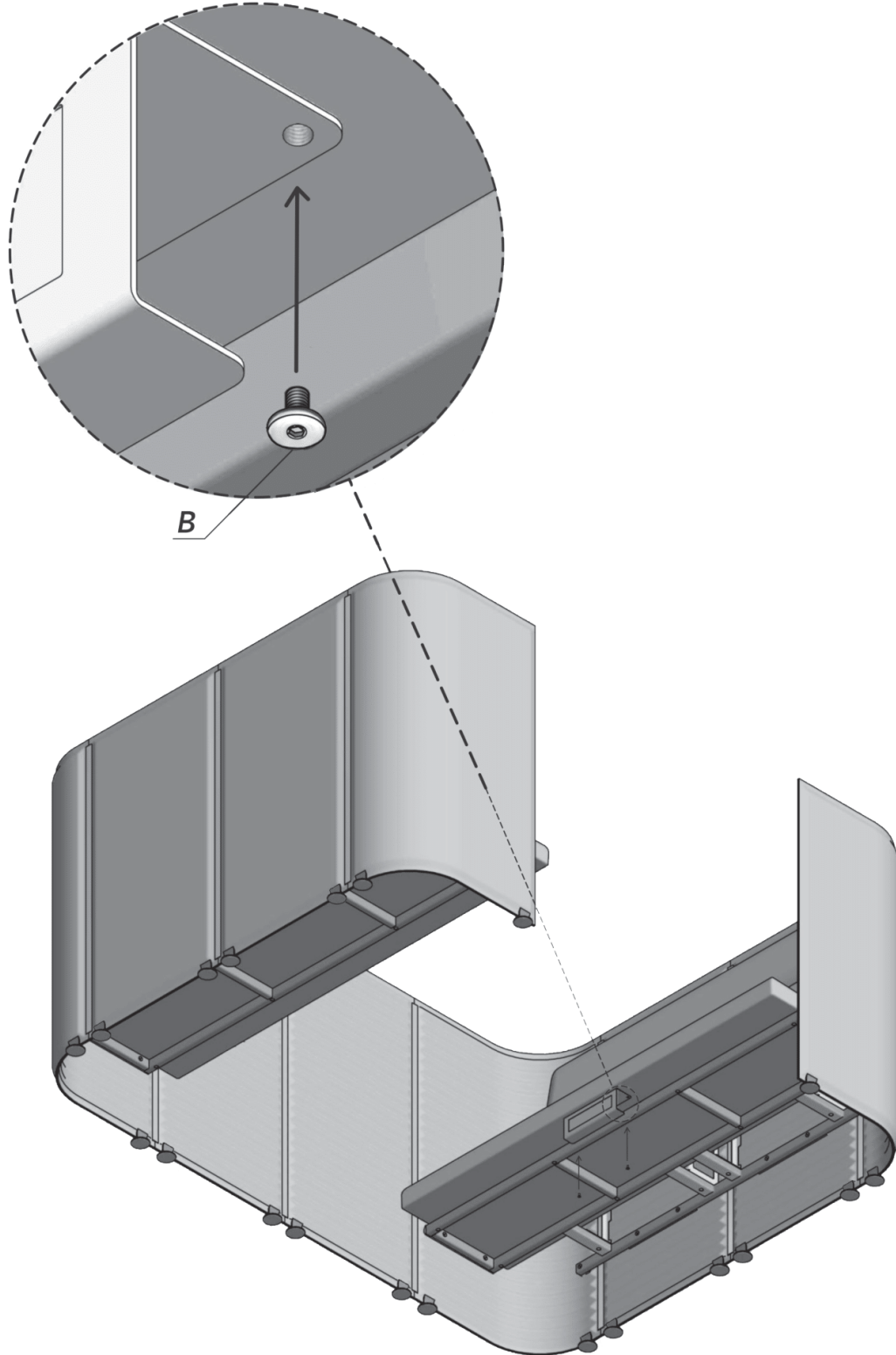
# Soundroom

Working Room  
Triple Low Seating

design:  
Tomek Rygalik  
2017

# Noti.

SR/WR/TLS



# Soundroom

Working Room  
Triple Low Seating

design:  
Tomek Rygalik  
2017

# Noti.

SR/WR/TLS

