

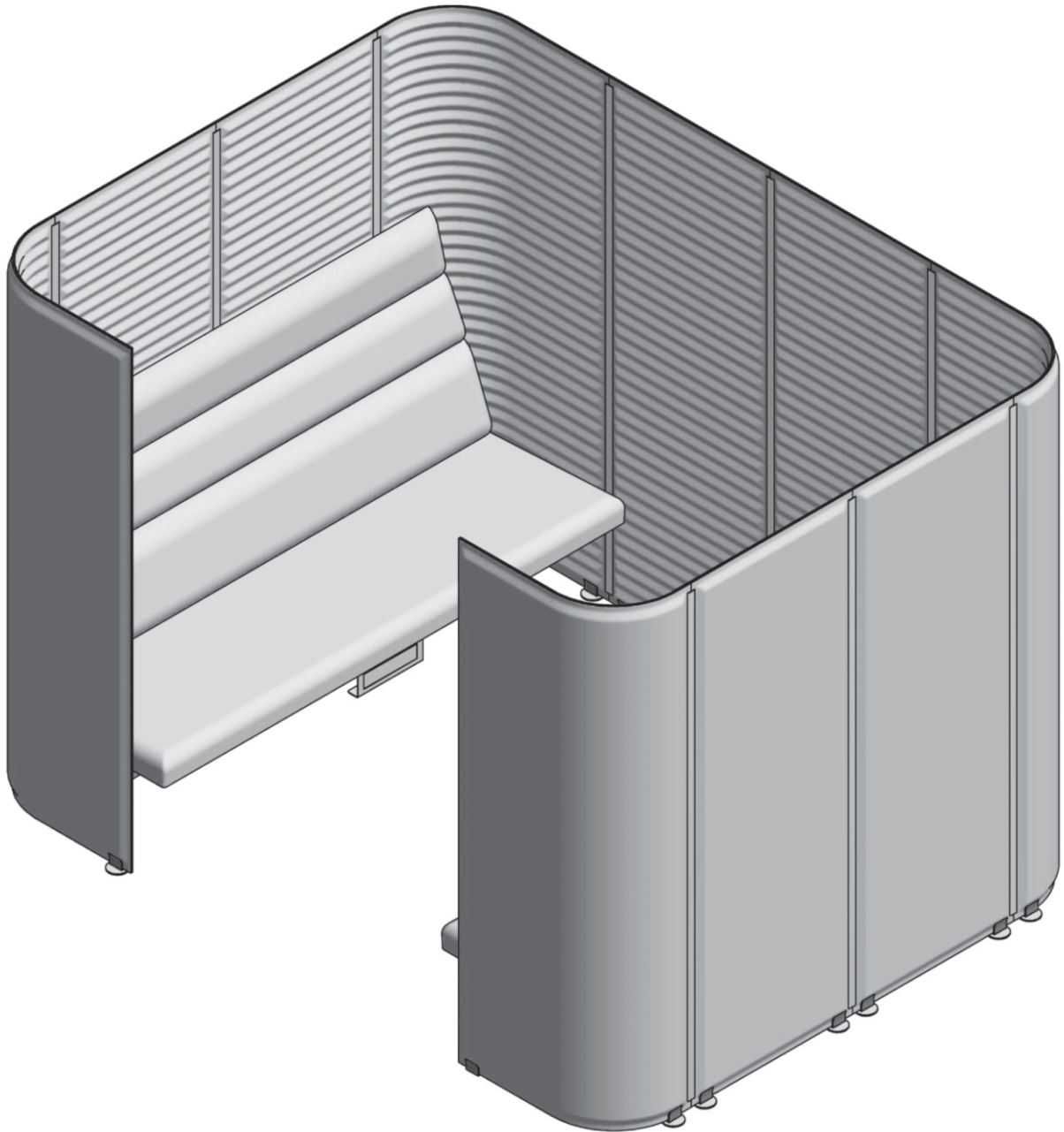
Soundroom

Working Room Triple
High Seating

design:
Tomek Rygalik
2017

Noti.

SR/WR/THS



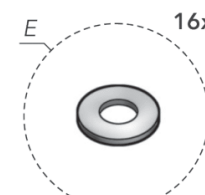
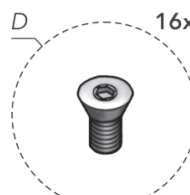
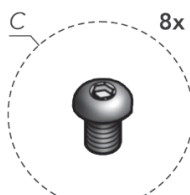
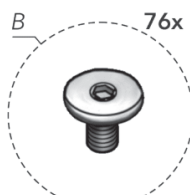
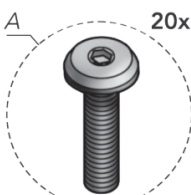
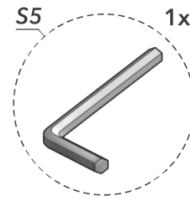
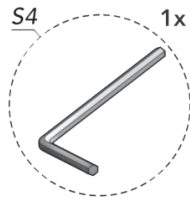
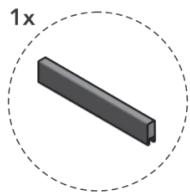
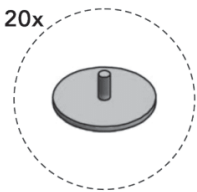
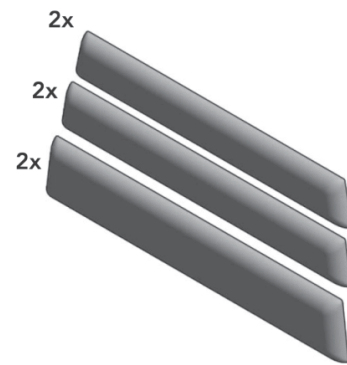
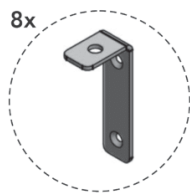
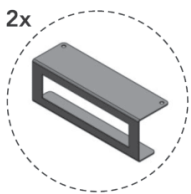
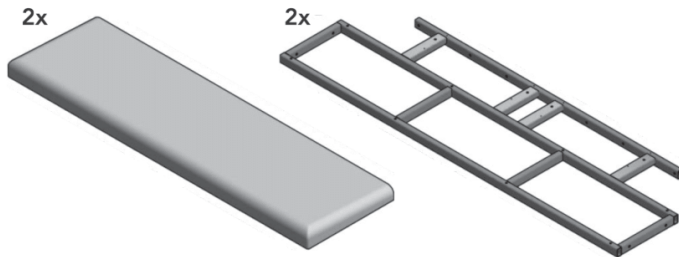
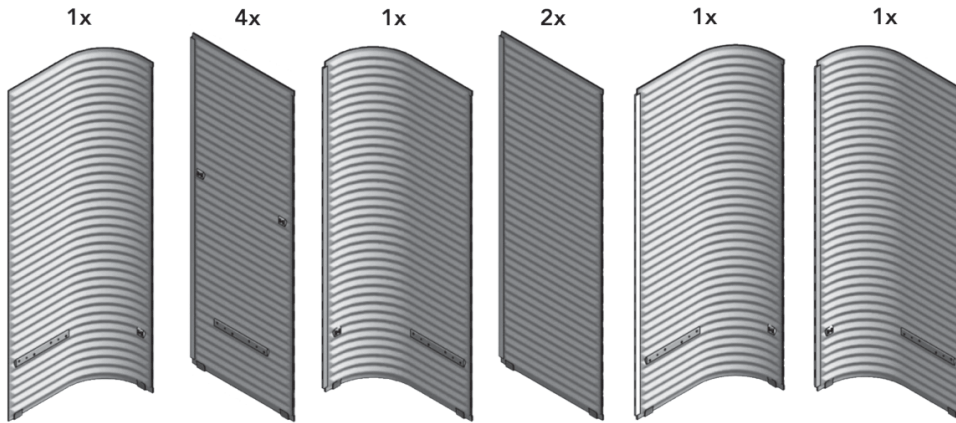
Soundroom

Working Room Triple
High Seating

design:
Tomek Rygalik
2017

Noti.

SR/WR/THS



M8x35

M6x12

M8x12

M6x14

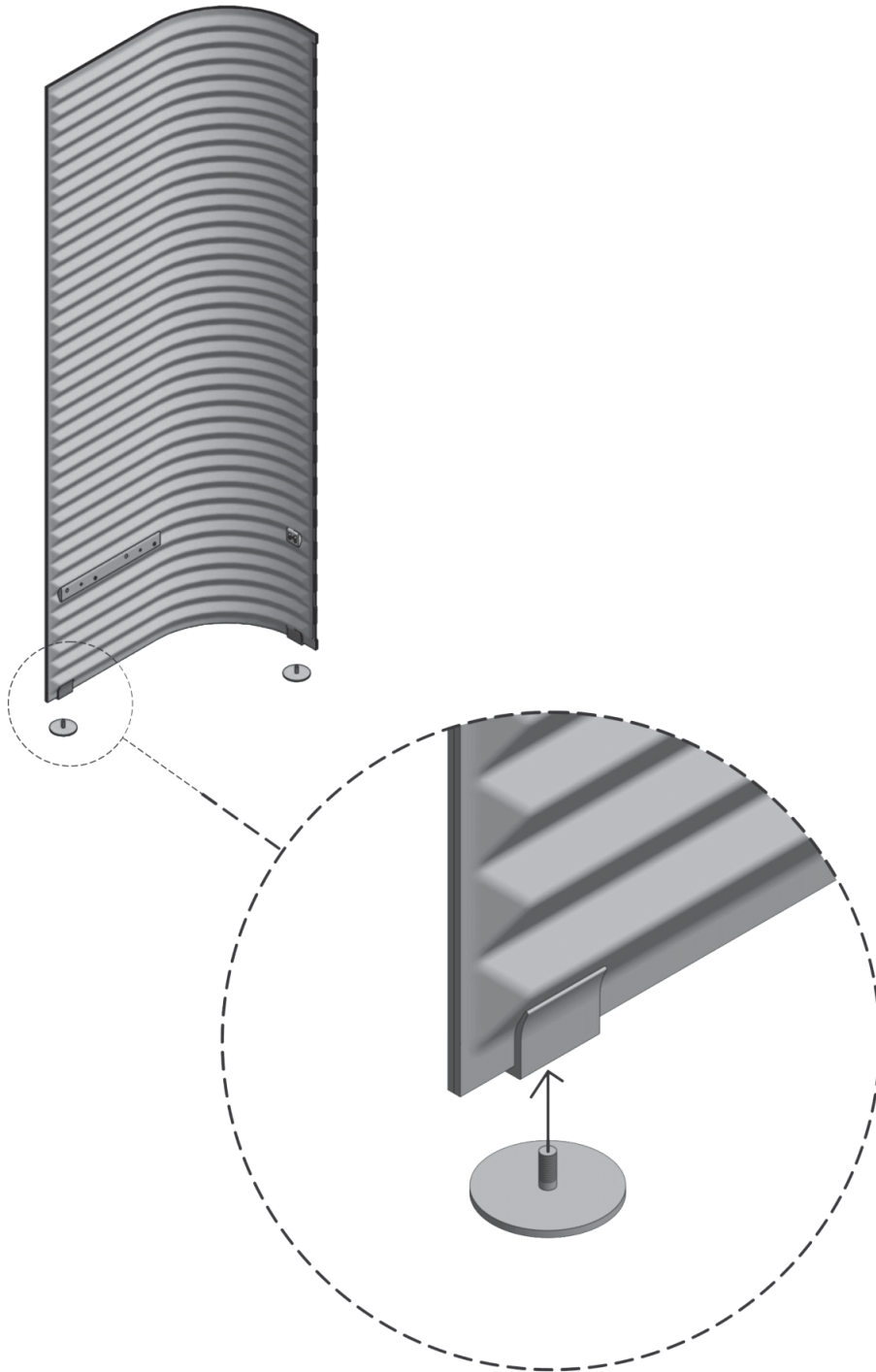
Soundroom

Working Room Triple
High Seating

design:
Tomek Rygalik
2017

Noti.

SR/WR/THS



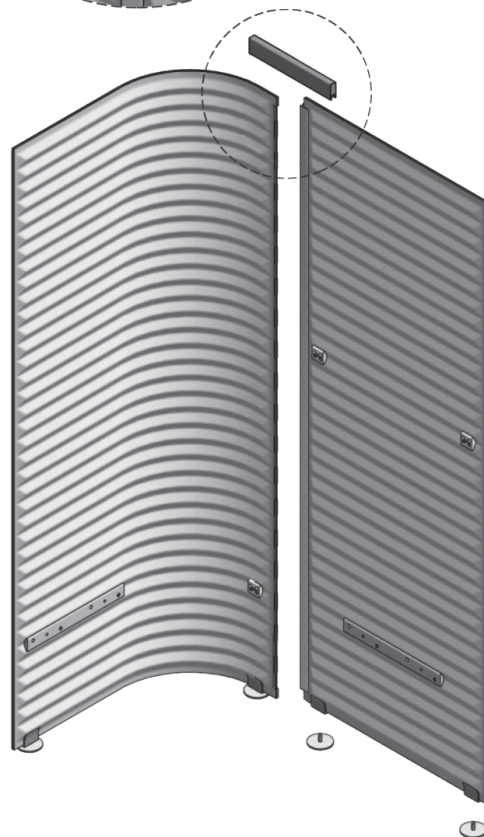
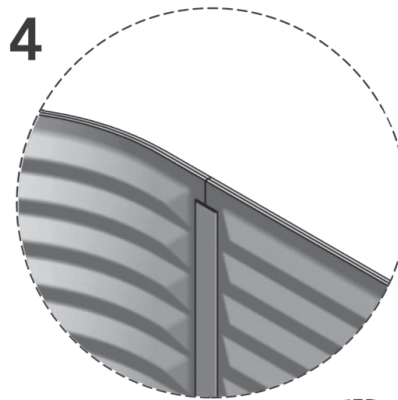
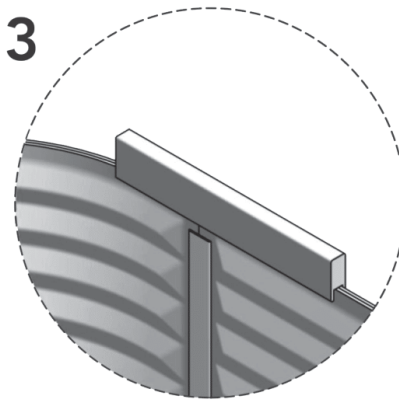
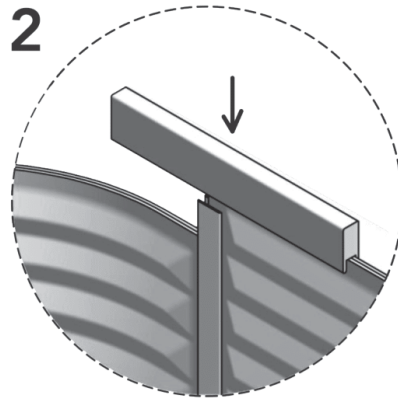
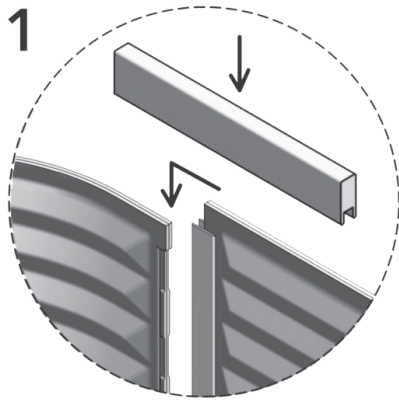
Soundroom

Working Room Triple
High Seating

design:
Tomek Rygalik
2017

Noti.

SR/WR/THS



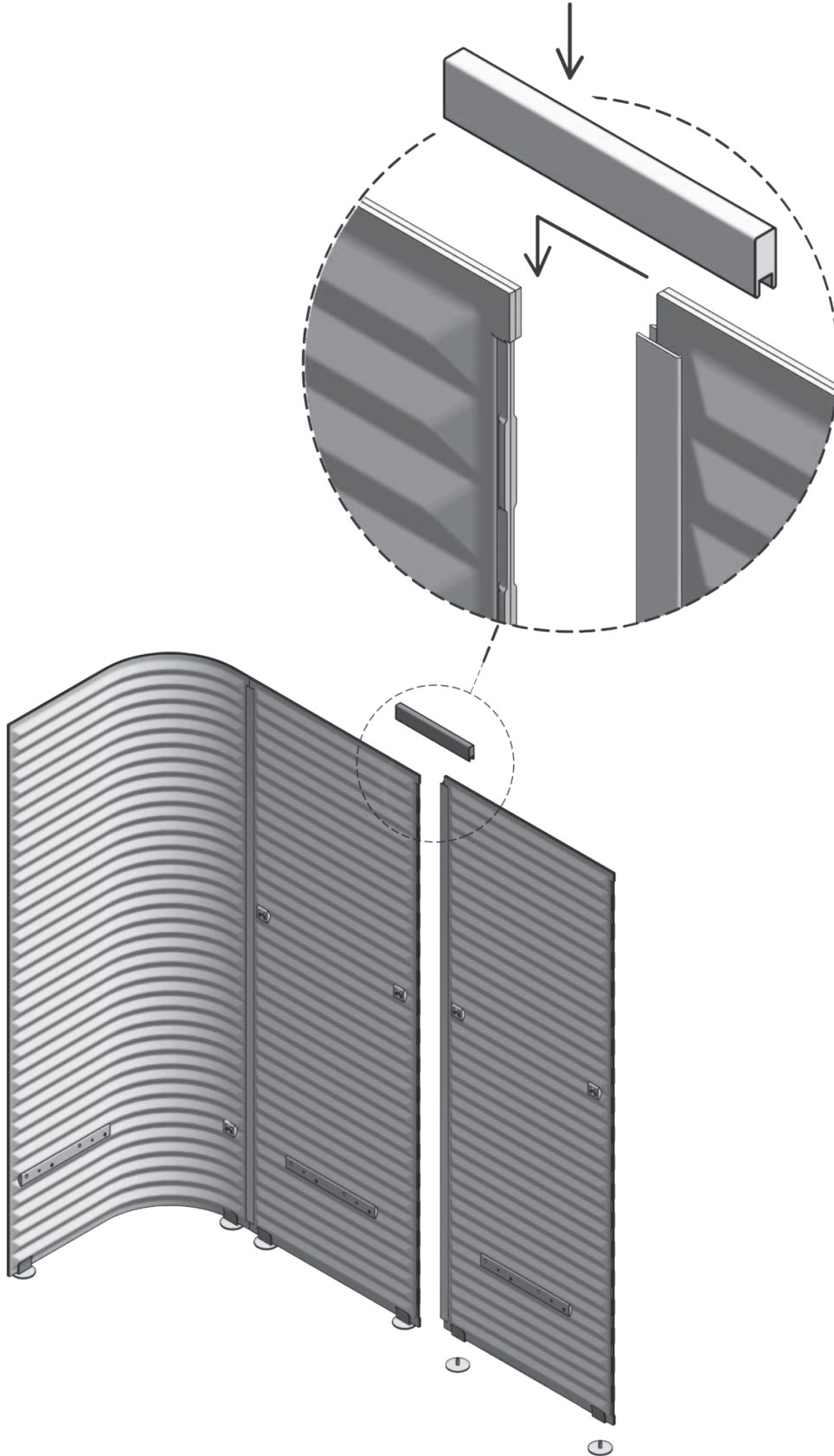
Soundroom

Working Room Triple
High Seating

design:
Tomek Rygalik
2017

Noti.

SR/WR/THS



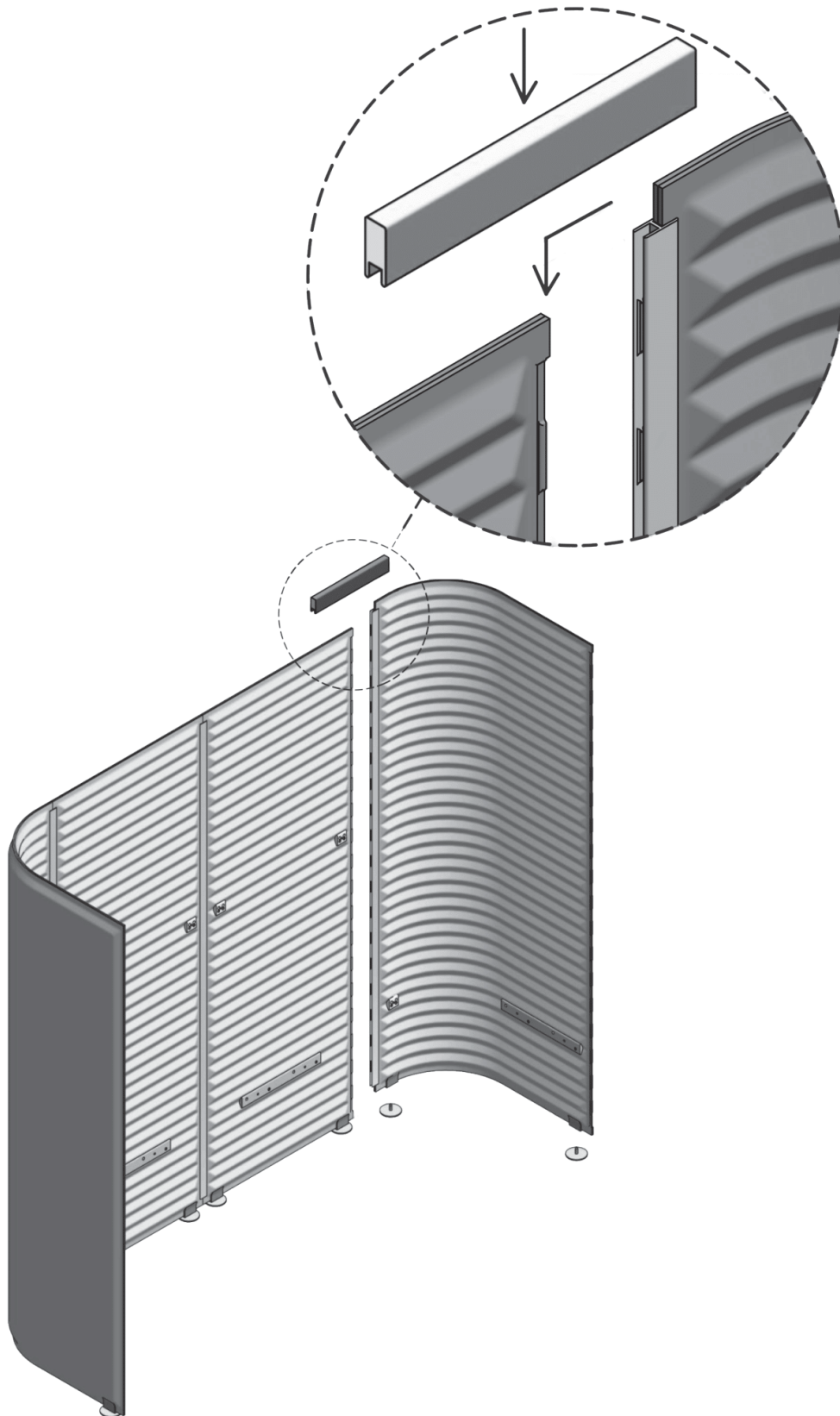
Soundroom

Working Room Triple
High Seating

design:
Tomek Rygalik
2017

Noti.

SR/WR/THS



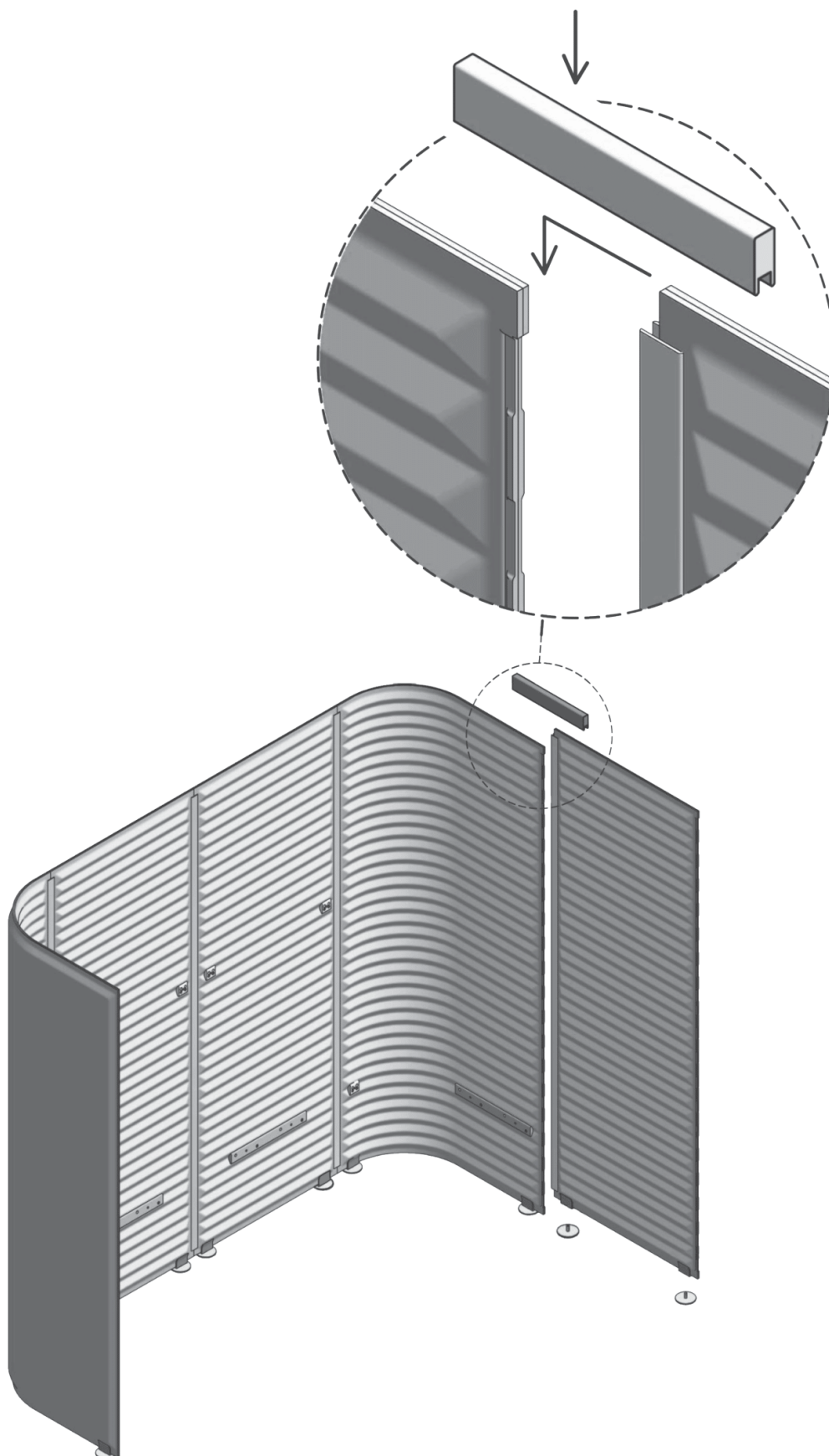
Soundroom

Working Room Triple
High Seating

design:
Tomek Rygalik
2017

Noti.

SR/WR/THS



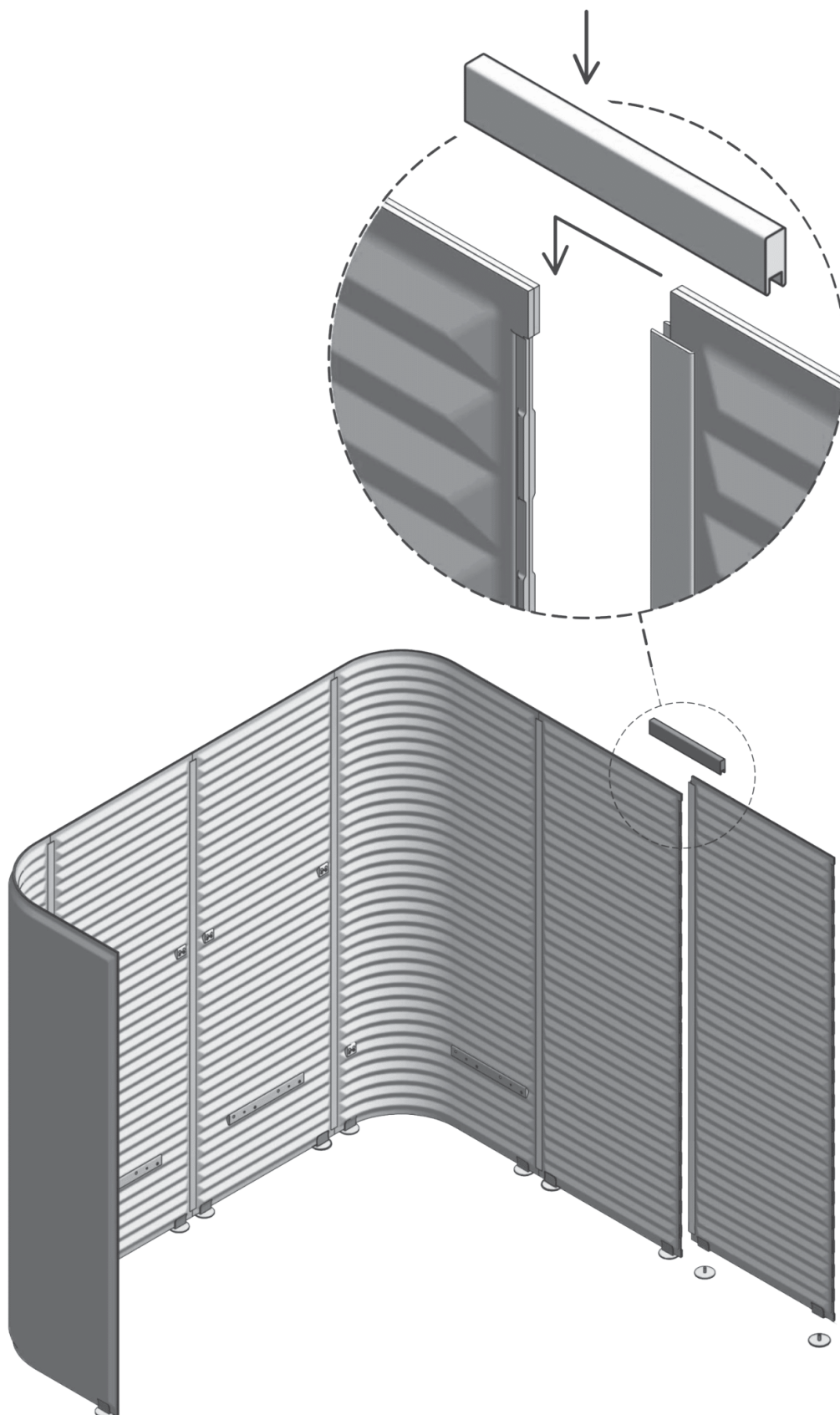
Soundroom

Working Room Triple
High Seating

design:
Tomek Rygalik
2017

Noti.

SR/WR/THS



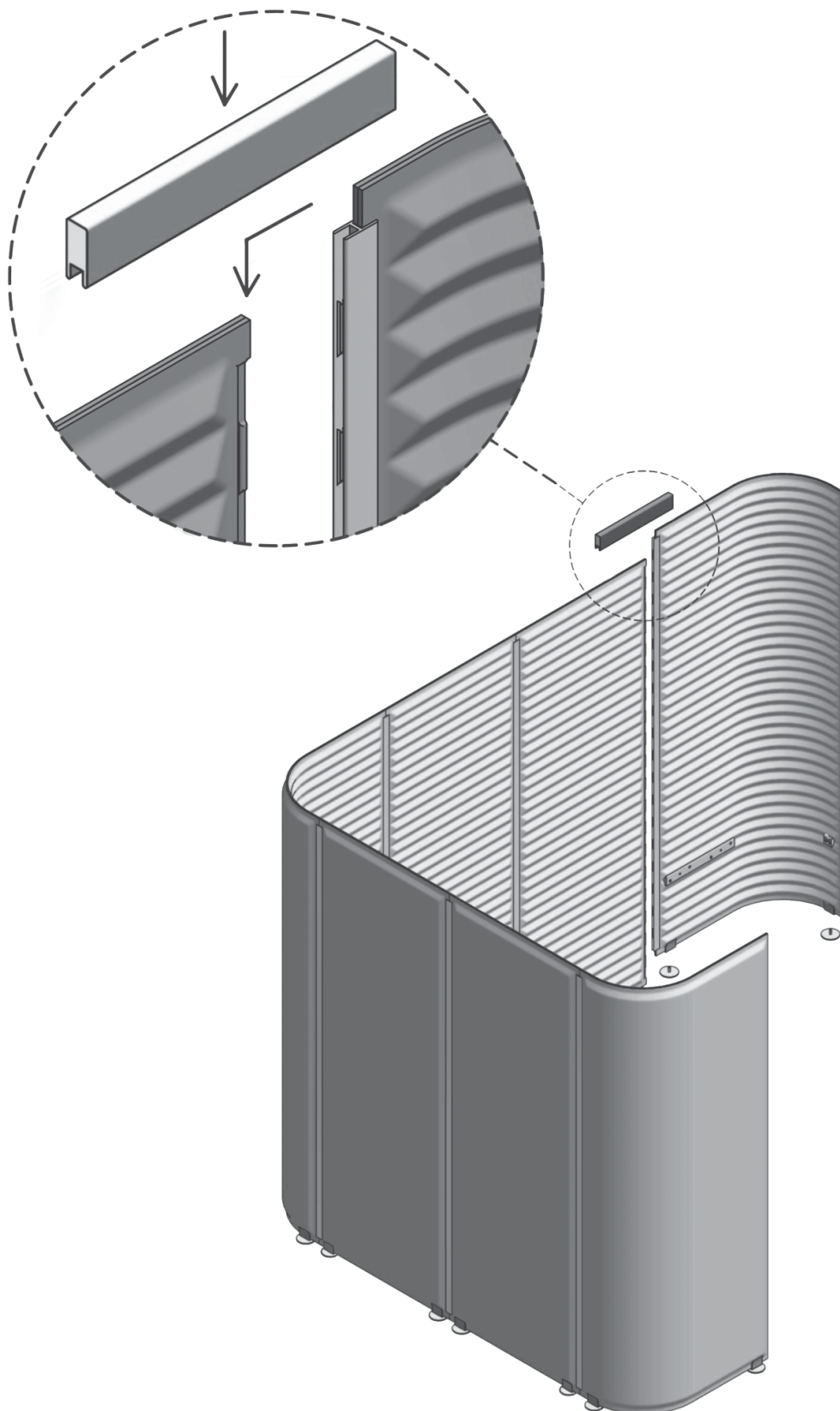
Soundroom

Working Room Triple
High Seating

design:
Tomek Rygalik
2017

Noti.

SR/WR/THS



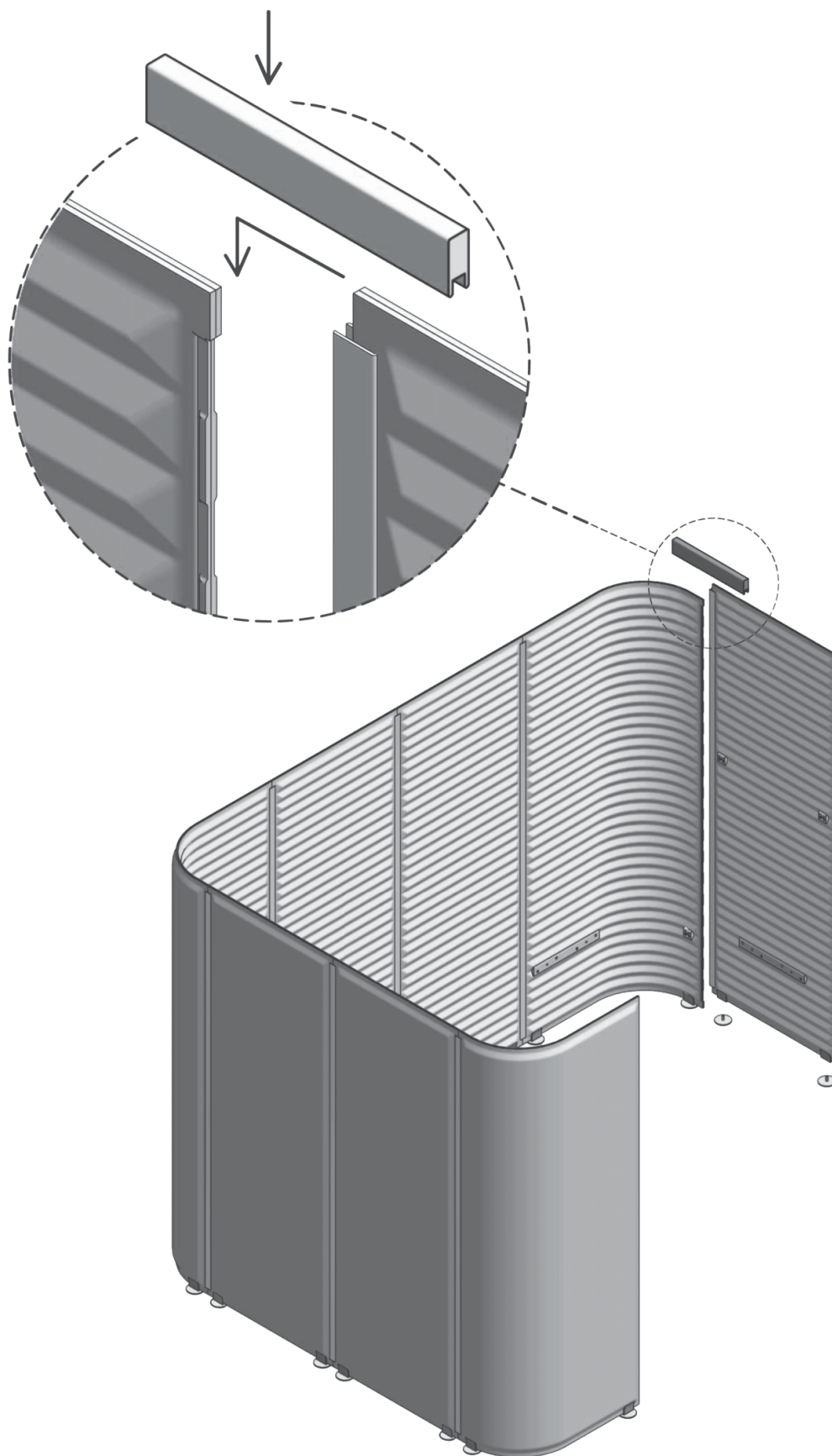
Soundroom

Working Room Triple
High Seating

design:
Tomek Rygalik
2017

Noti.

SR/WR/THS



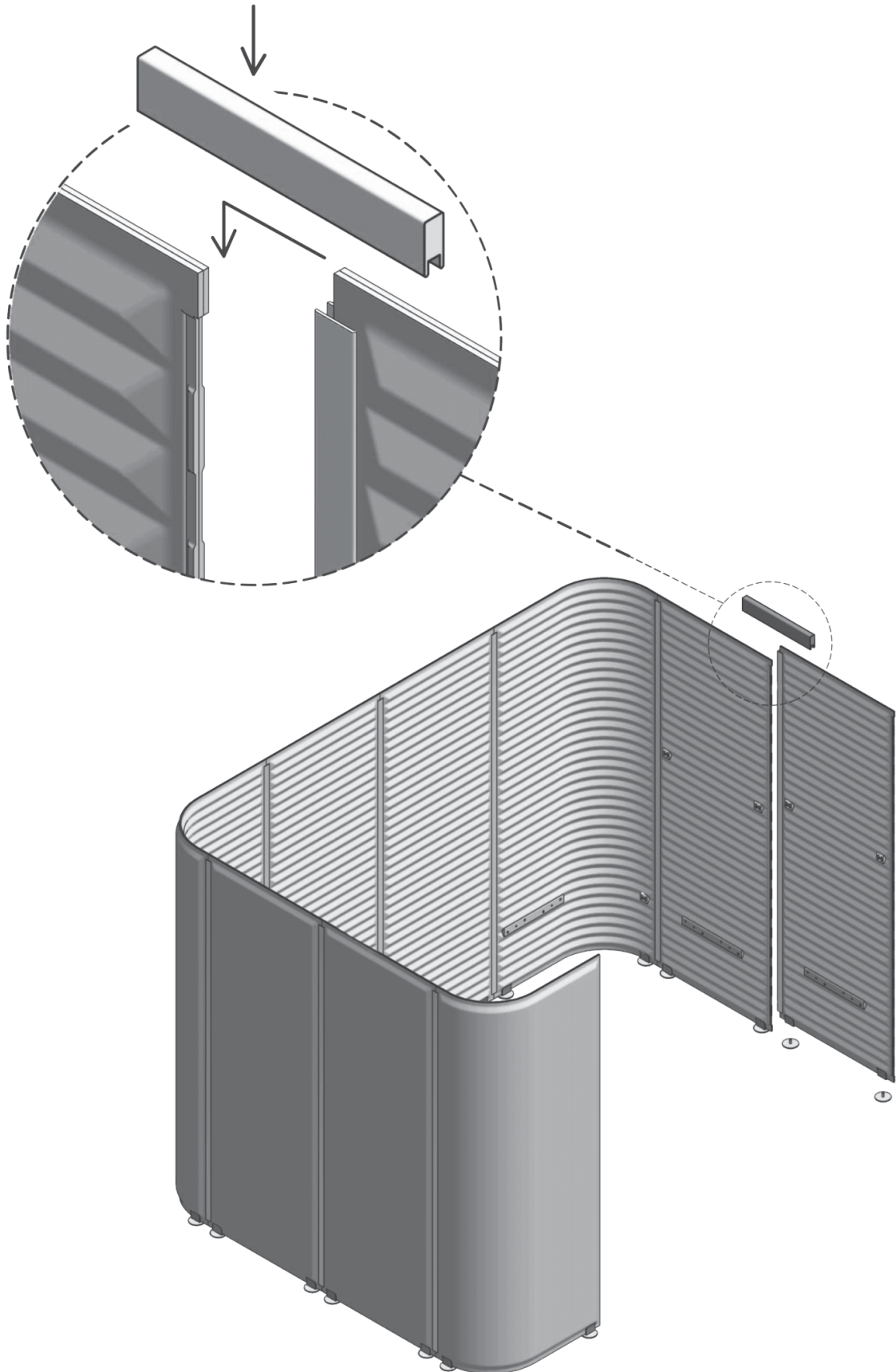
Soundroom

Working Room Triple
High Seating

design:
Tomek Rygalik
2017

Noti.

SR/WR/THS



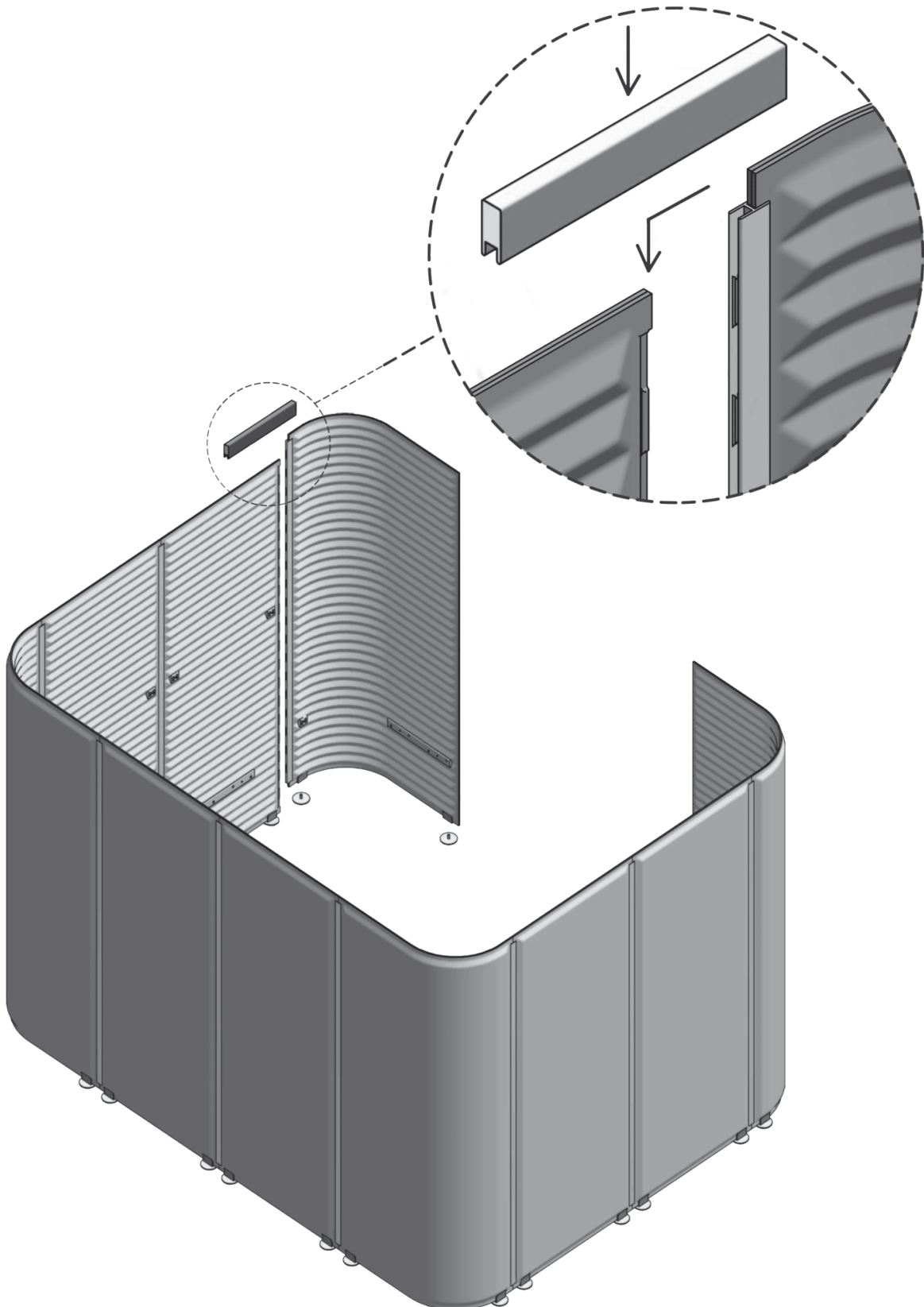
Soundroom

Working Room Triple
High Seating

design:
Tomek Rygalik
2017

Noti.

SR/WR/THS



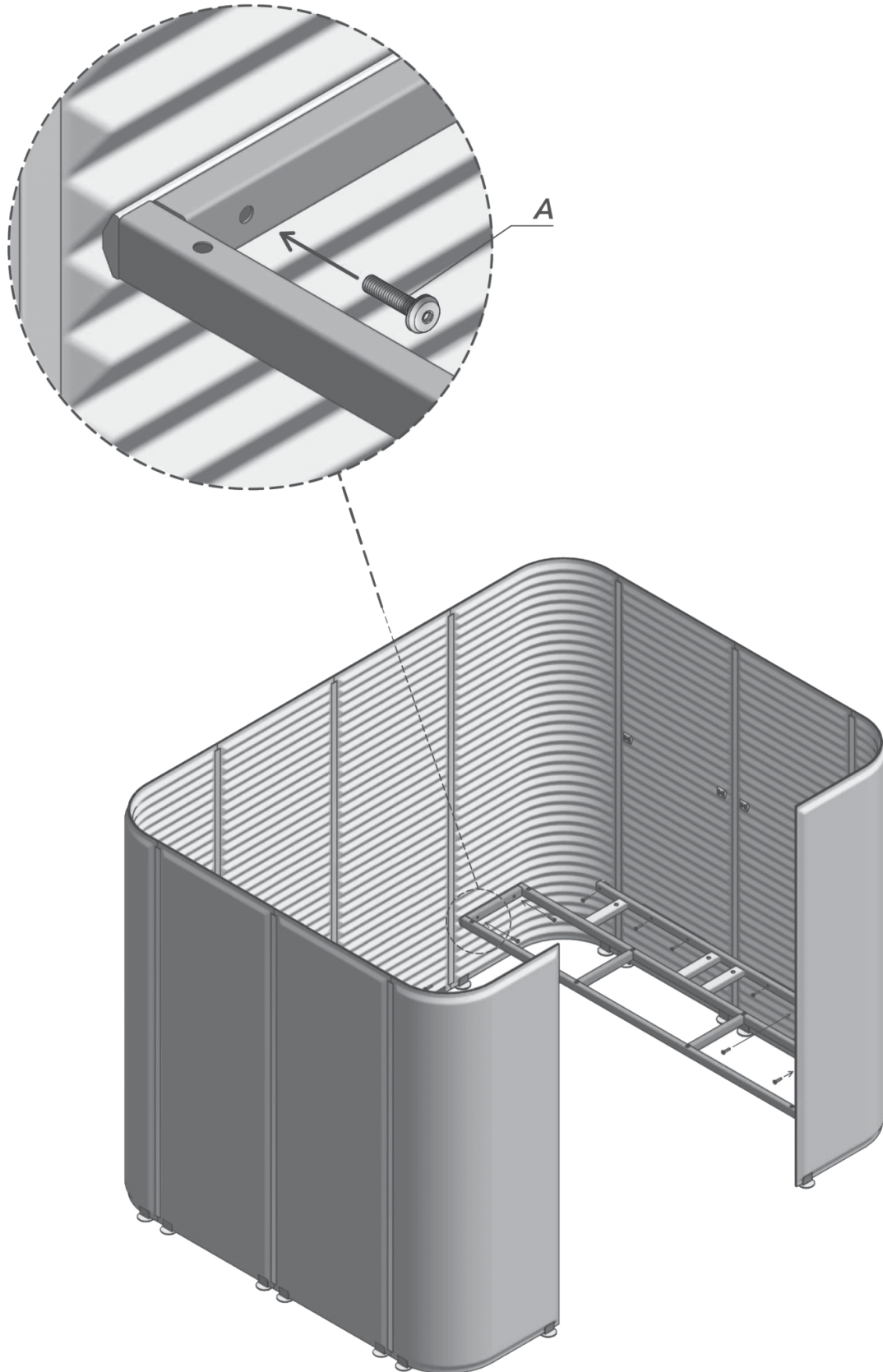
Soundroom

Working Room Triple
High Seating

design:
Tomek Rygalik
2017

Noti.

SR/WR/THS



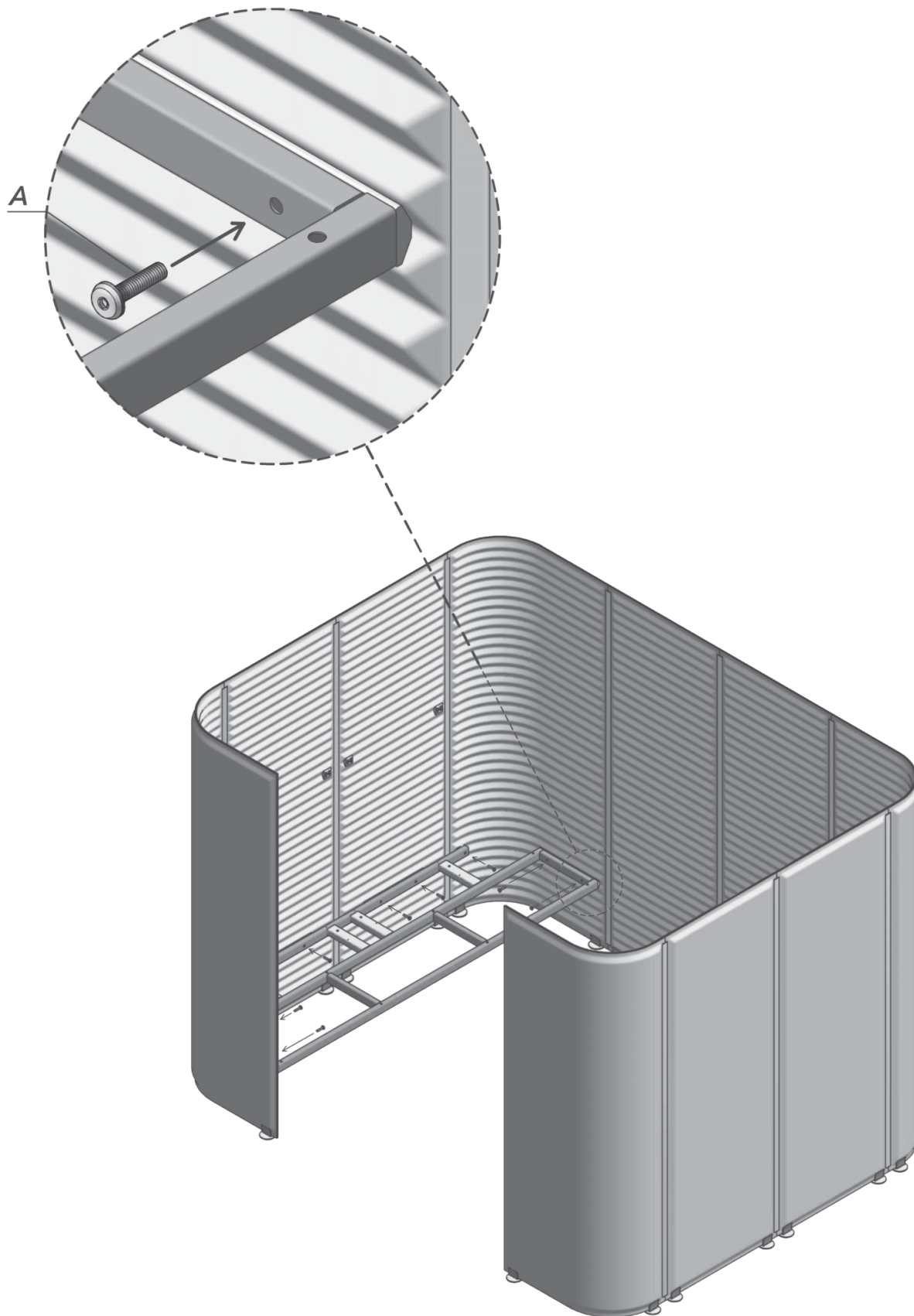
Soundroom

Working Room Triple
High Seating

design:
Tomek Rygalik
2017

Noti.

SR/WR/THS



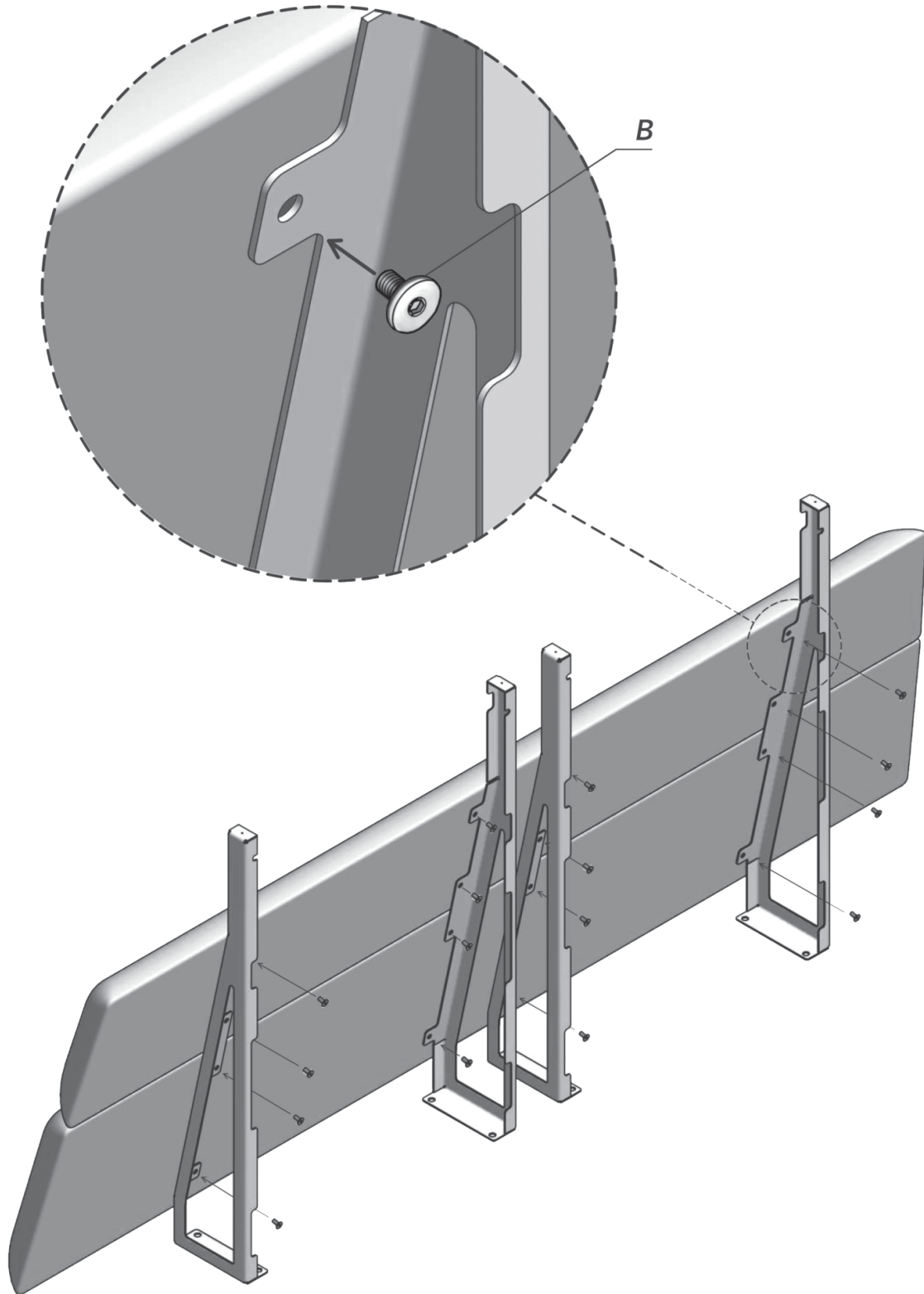
Soundroom

Working Room Triple
High Seating

design:
Tomek Rygalik
2017

Noti.

SR/WR/THS



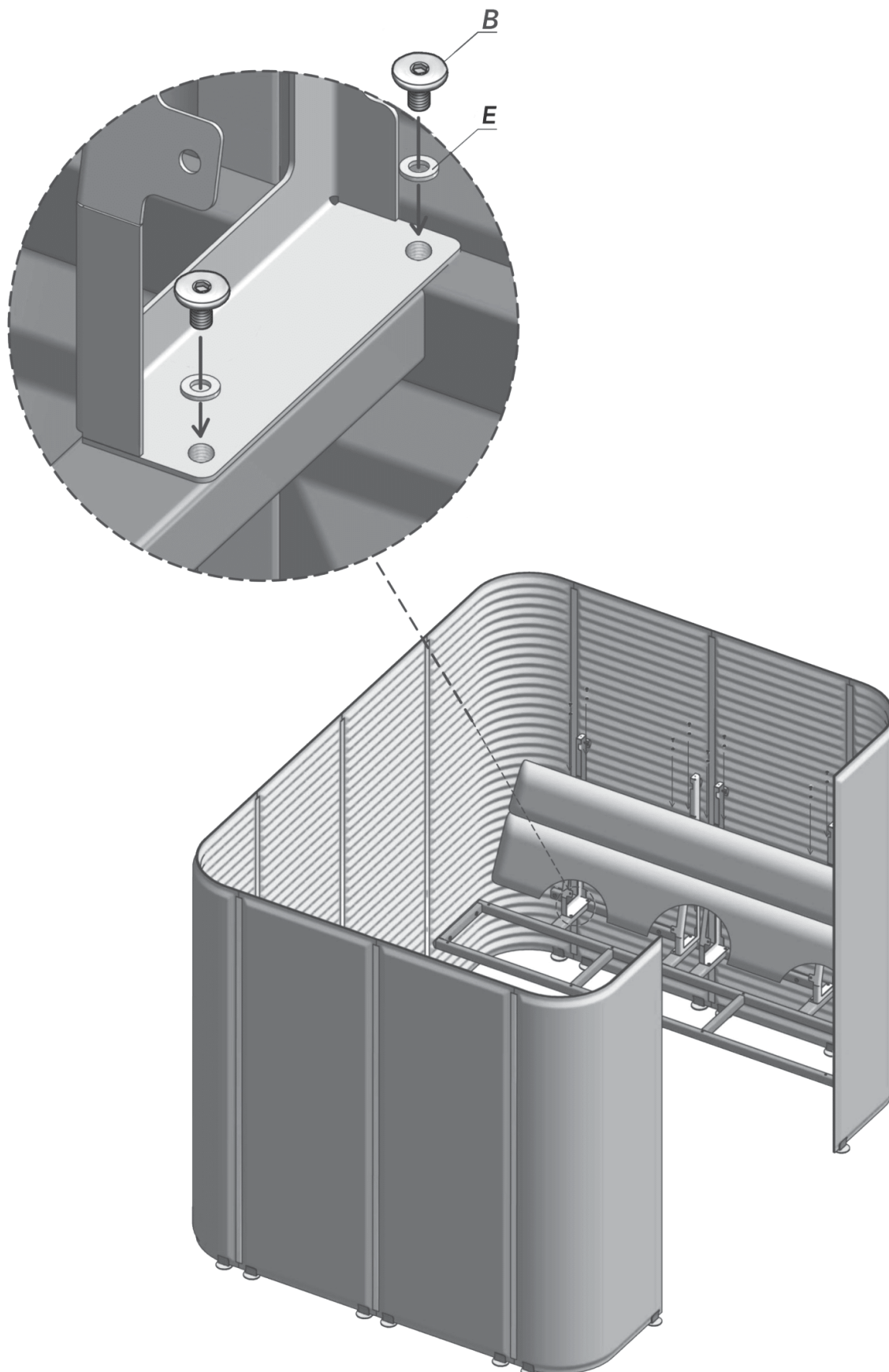
Soundroom

Working Room Triple
High Seating

design:
Tomek Rygalik
2017

Noti.

SR/WR/THS



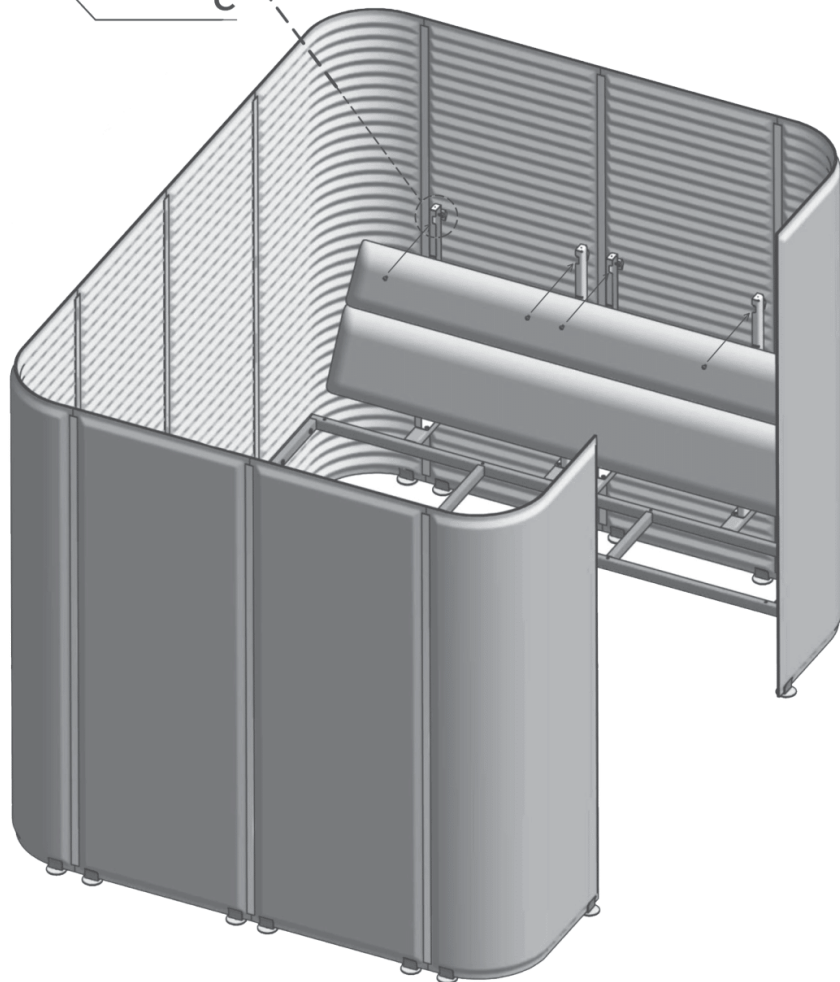
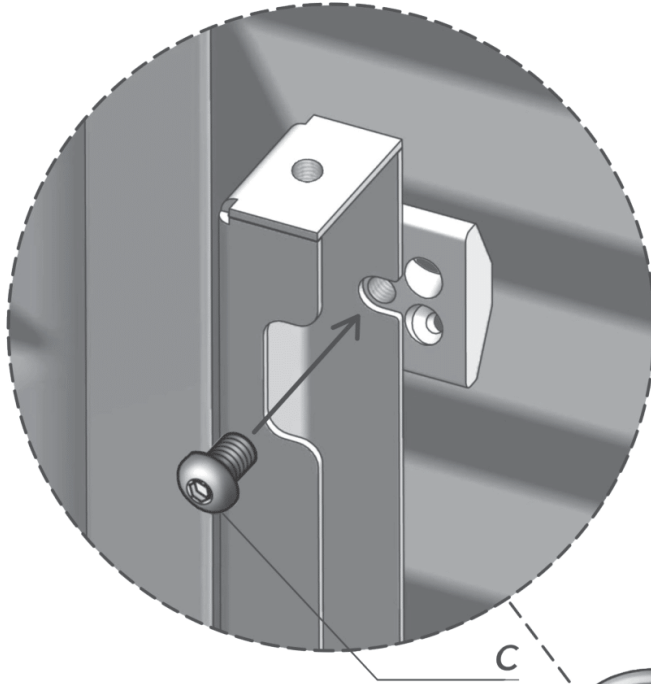
Soundroom

Working Room Triple
High Seating

design:
Tomek Rygalik
2017

Noti.

SR/WR/THS



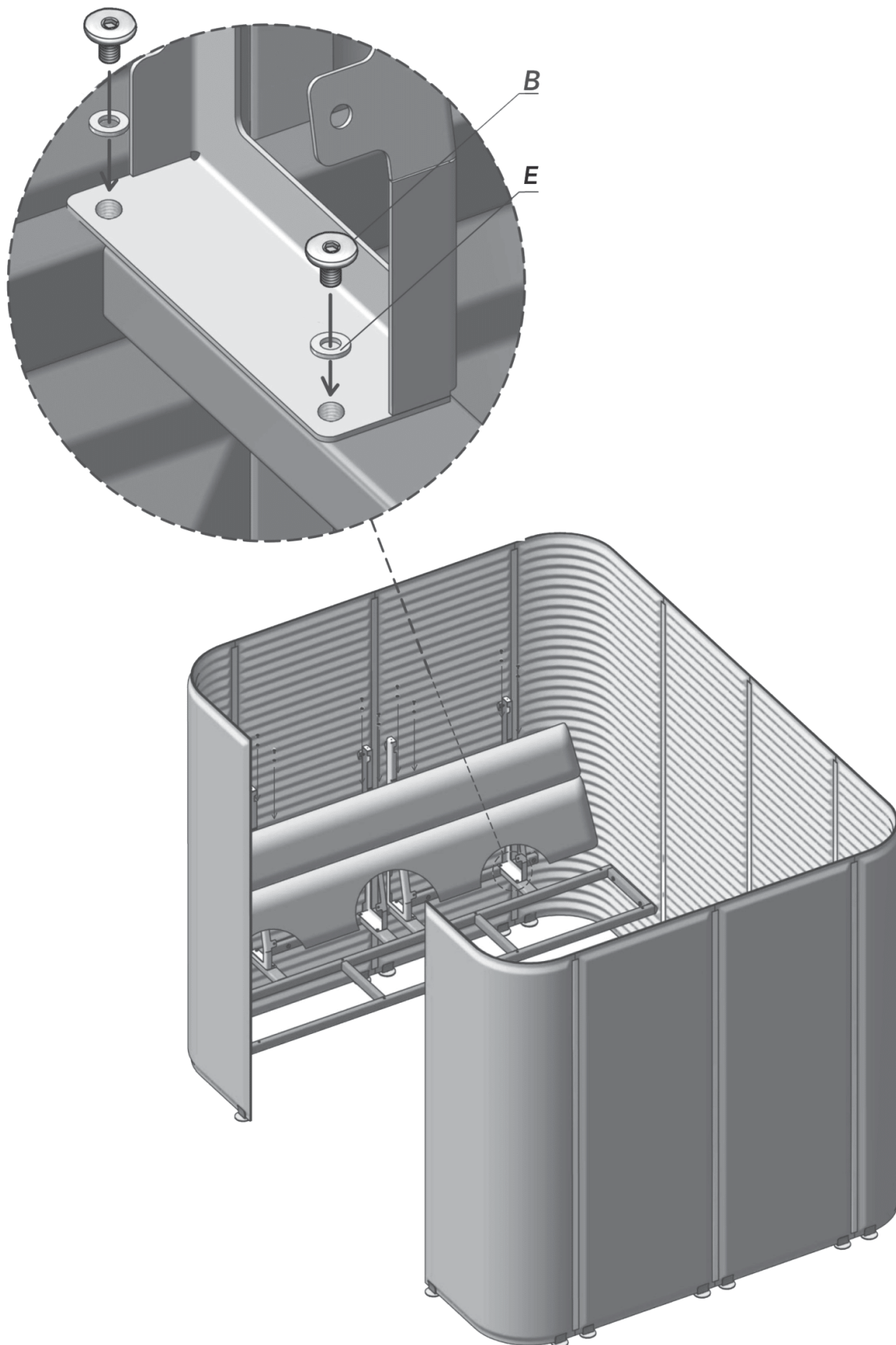
Soundroom

Working Room Triple
High Seating

design:
Tomek Rygalik
2017

Noti.

SR/WR/THS



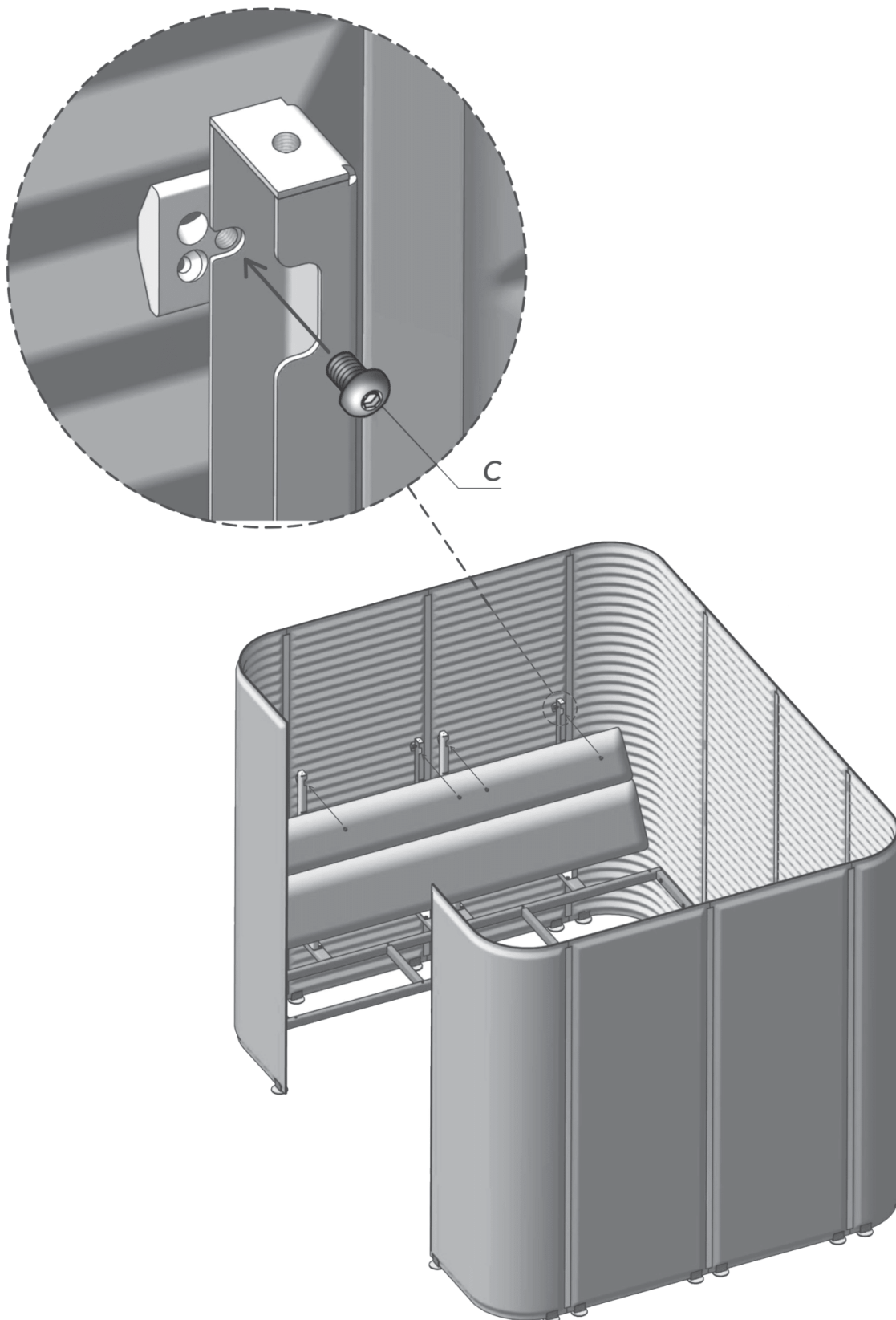
Soundroom

Working Room Triple
High Seating

design:
Tomek Rygalik
2017

Noti.

SR/WR/THS



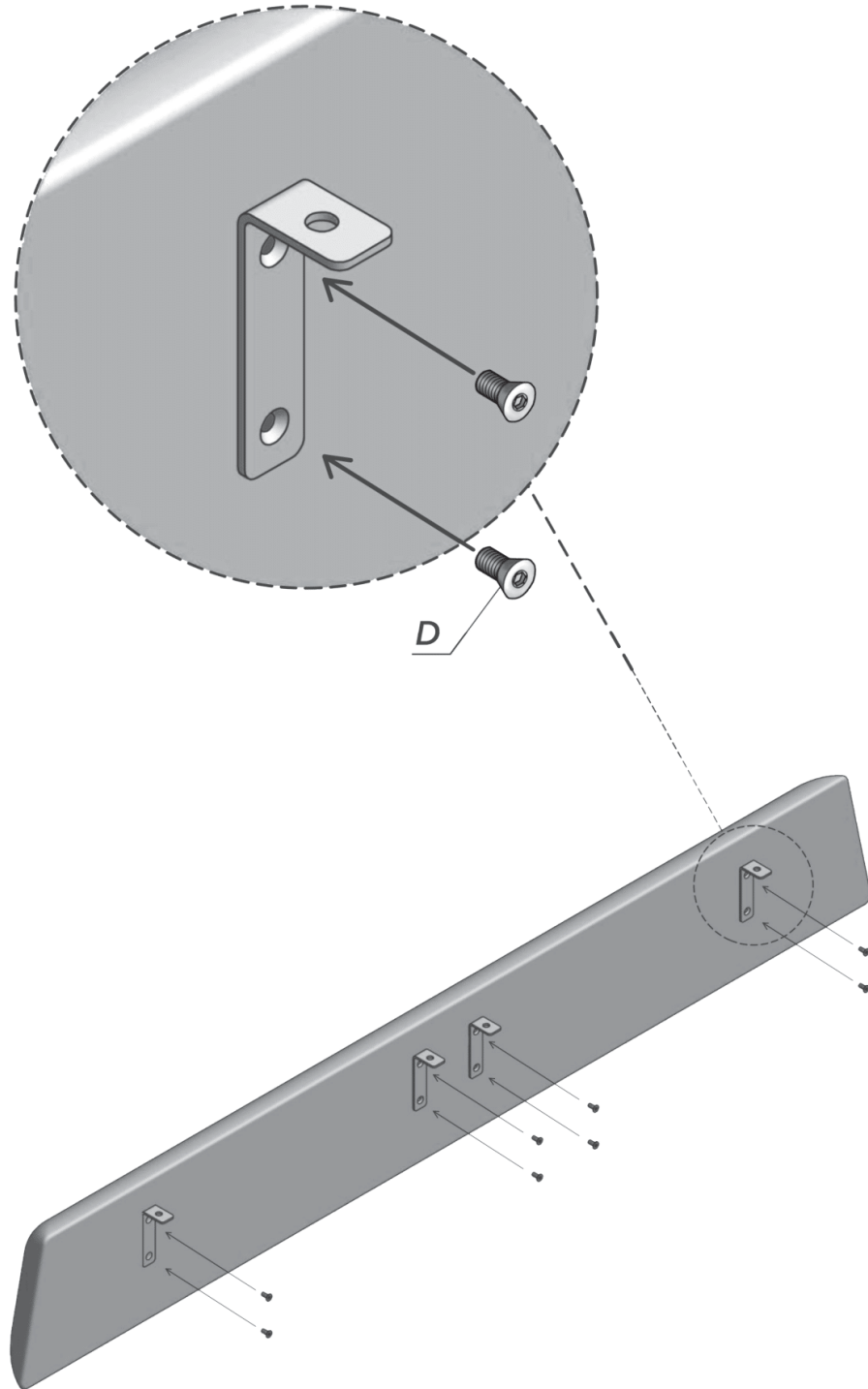
Soundroom

Working Room Triple
High Seating

design:
Tomek Rygalik
2017

Noti.

SR/WR/THS



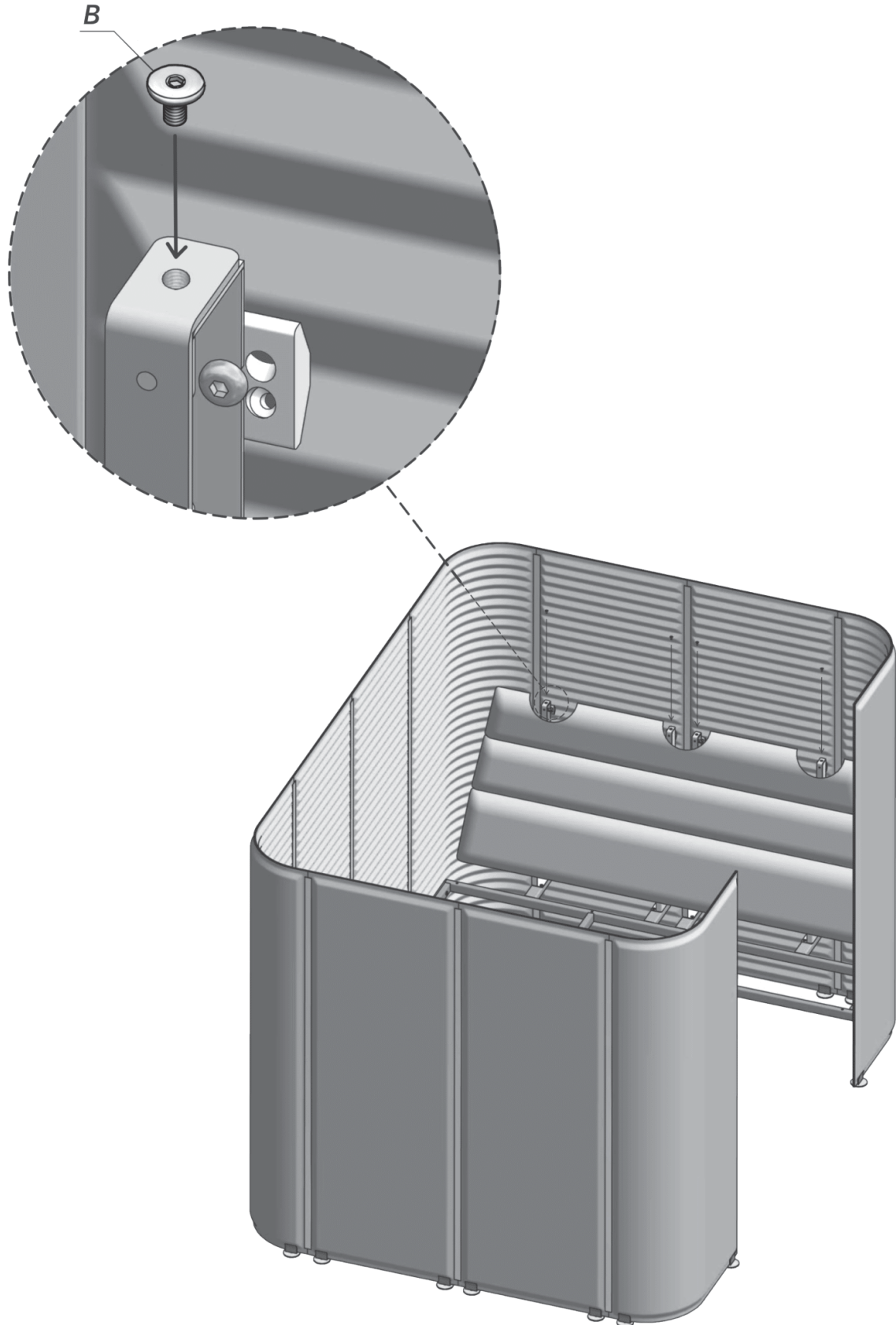
Soundroom

Working Room Triple
High Seating

design:
Tomek Rygalik
2017

Noti.

SR/WR/THS



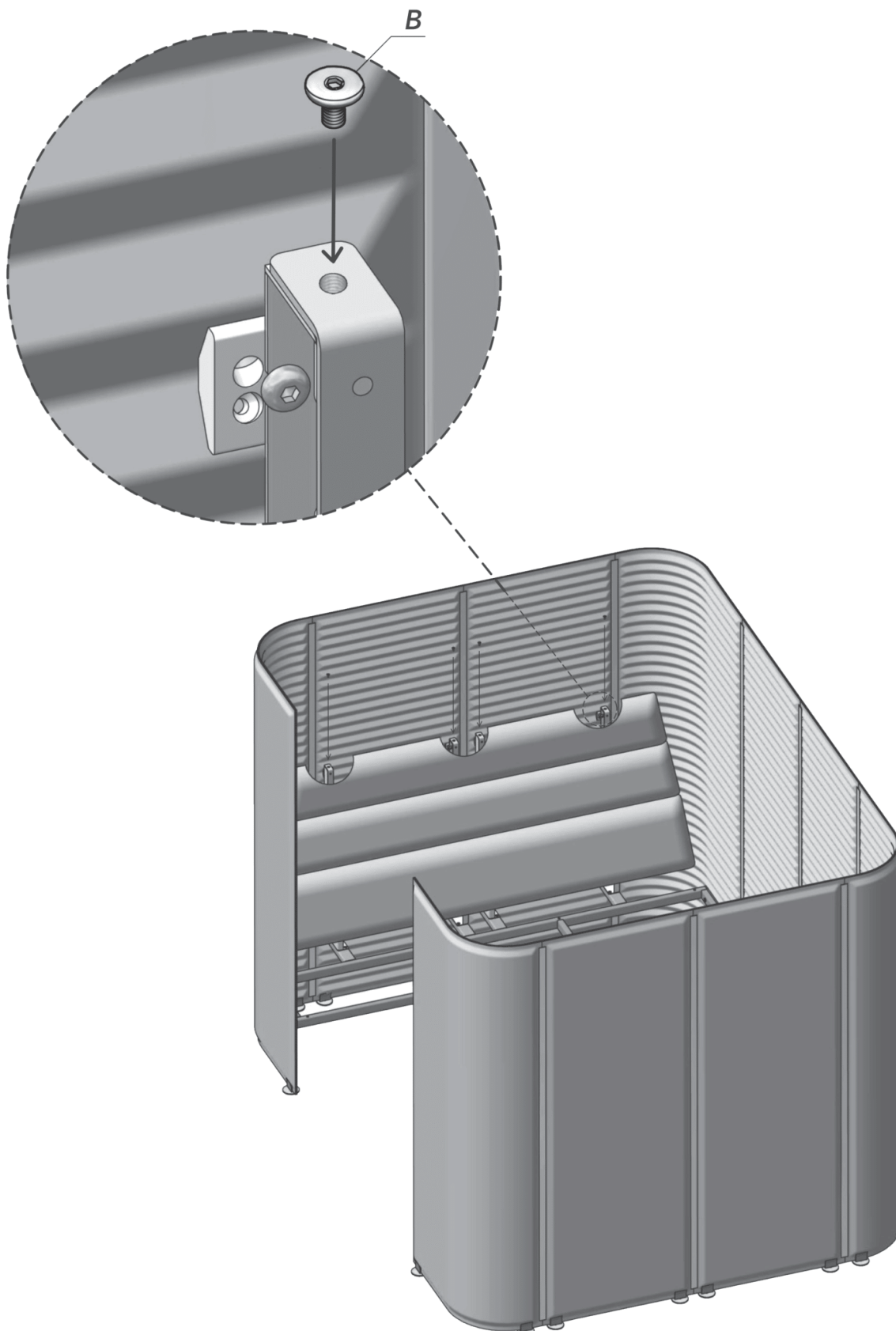
Soundroom

Working Room Triple
High Seating

design:
Tomek Rygalik
2017

Noti.

SR/WR/THS



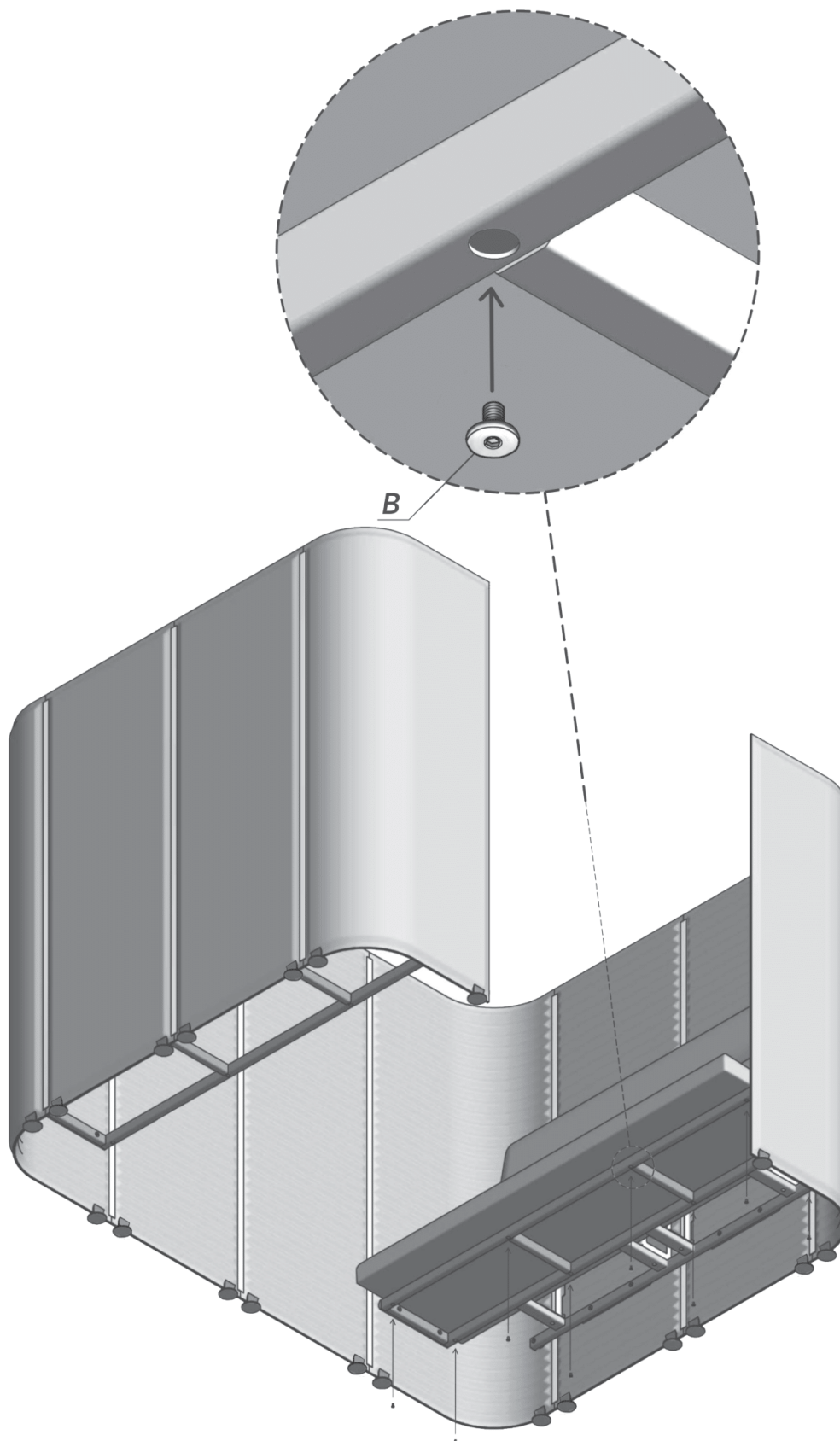
Soundroom

Working Room Triple
High Seating

design:
Tomek Rygalik
2017

Noti.

SR/WR/THS



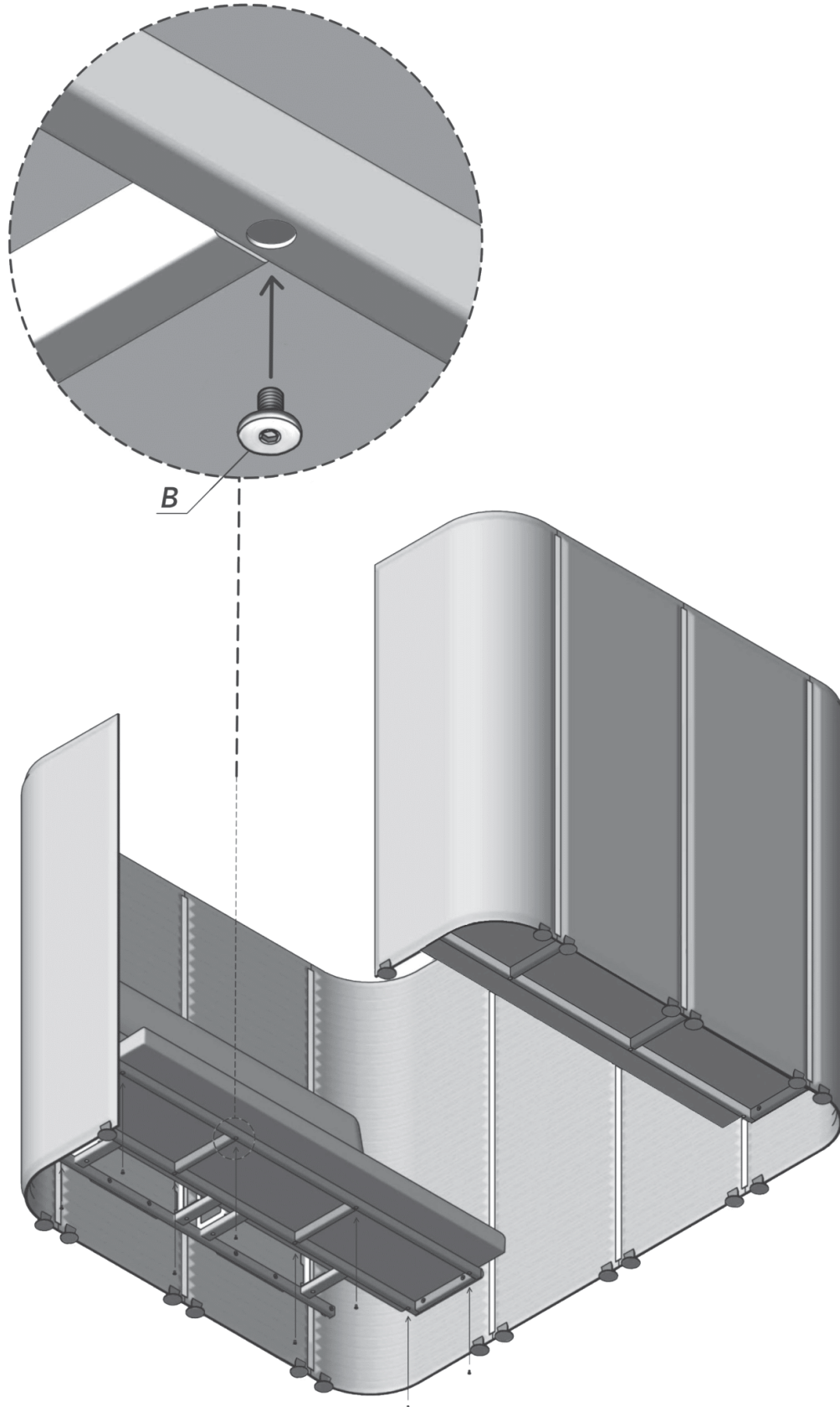
Soundroom

Working Room Triple
High Seating

design:
Tomek Rygalik
2017

Noti.

SR/WR/THS



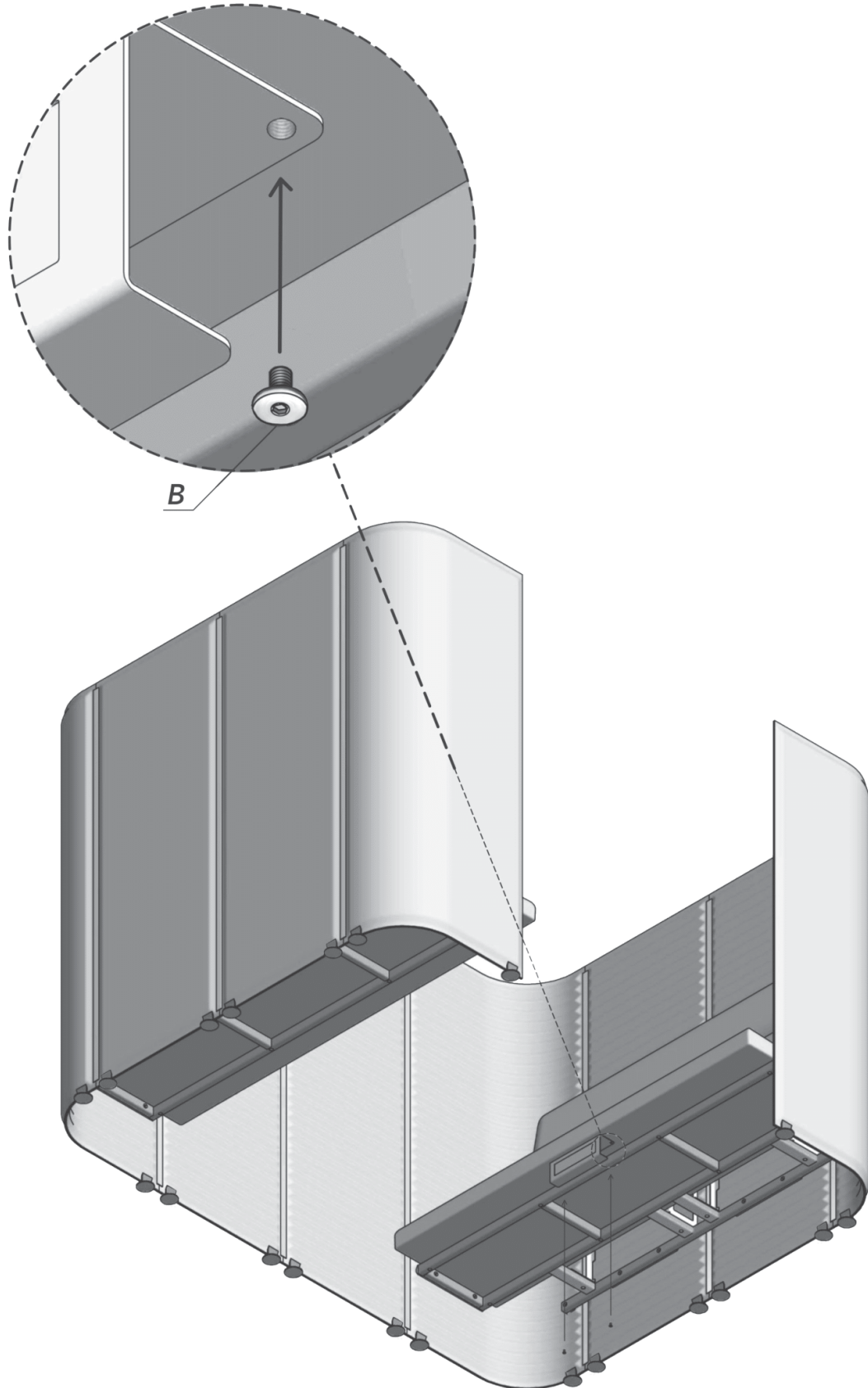
Soundroom

Working Room Triple
High Seating

design:
Tomek Rygalik
2017

Noti.

SR/WR/THS



Soundroom

Working Room Triple
High Seating

design:
Tomek Rygalik
2017

Noti.

SR/WR/THS

