

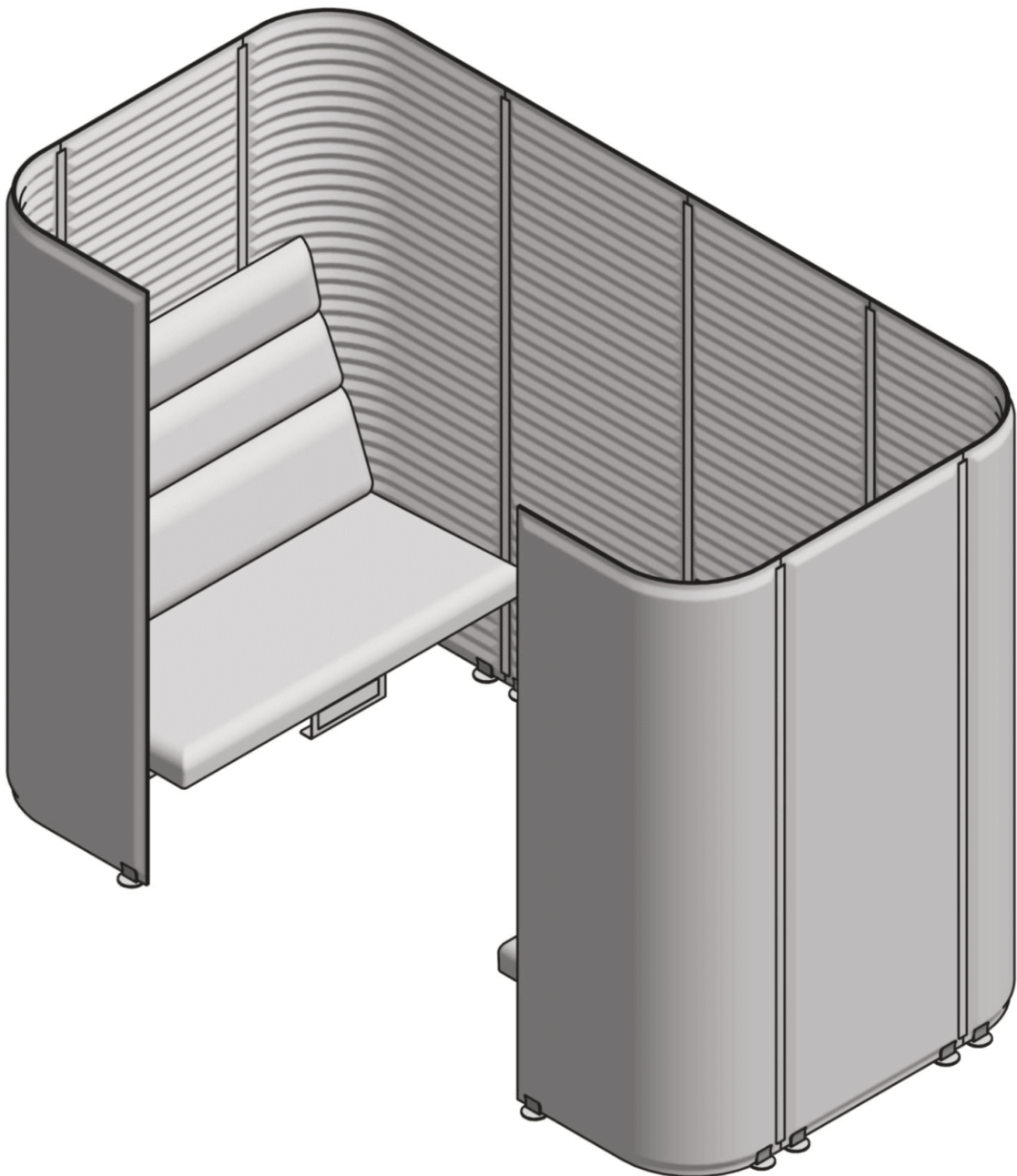
Soundroom

Working Room
Double High Seating

design:
Tomek Rygalik
2017

Noti.

SR/WR/DHS



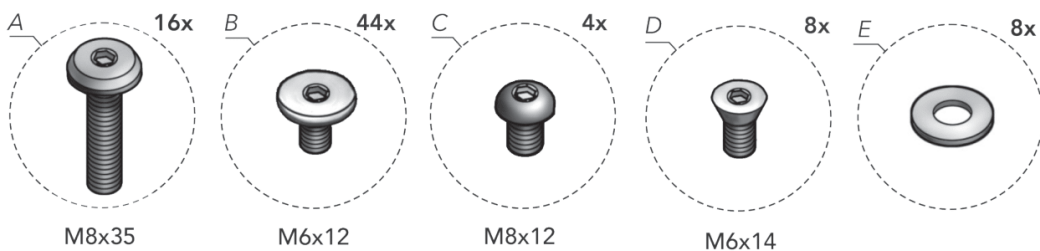
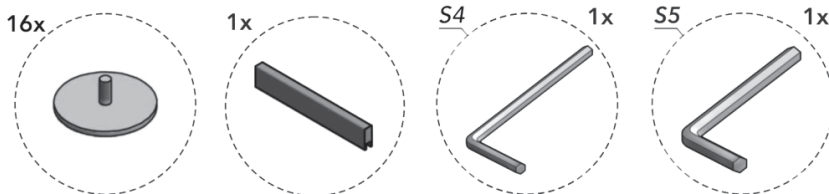
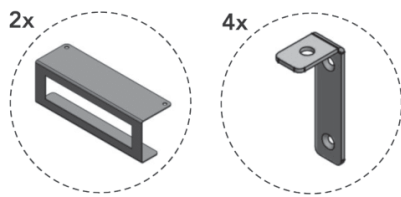
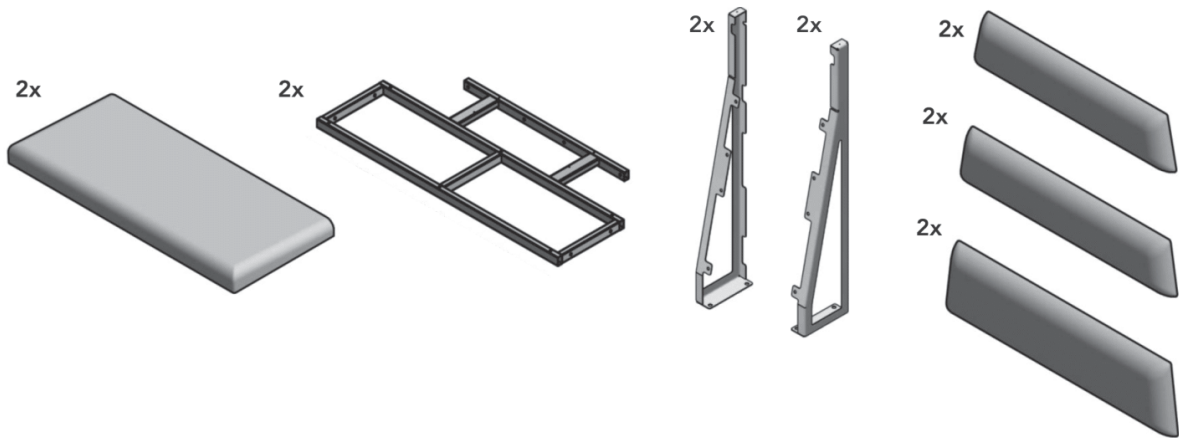
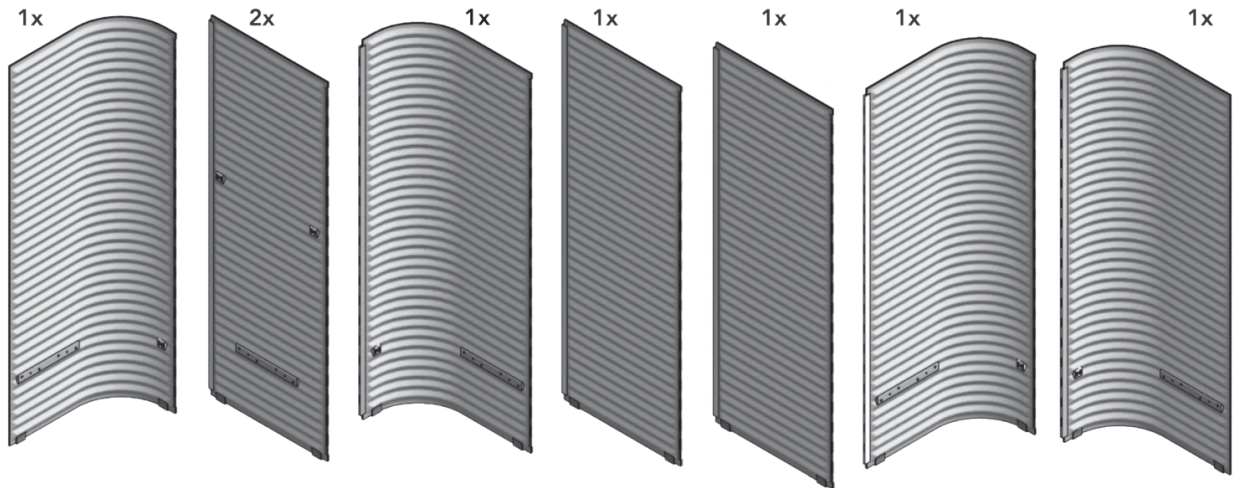
Soundroom

Working Room
Double High Seating

design:
Tomek Rygalik
2017

Noti.

SR/WR/DHS



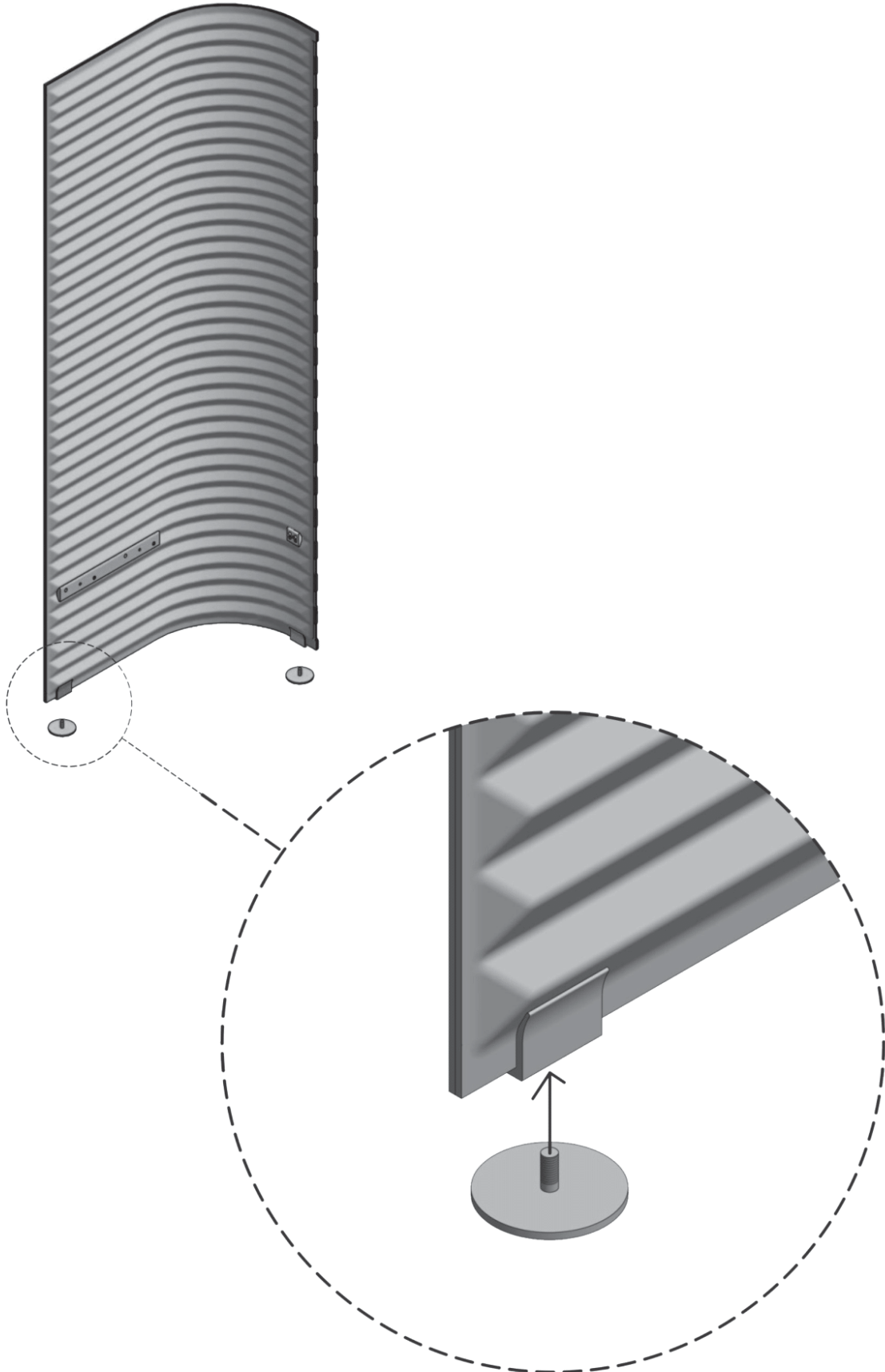
Soundroom

Working Room
Double High Seating

design:
Tomek Rygalik
2017

Noti.

SR/WR/DHS



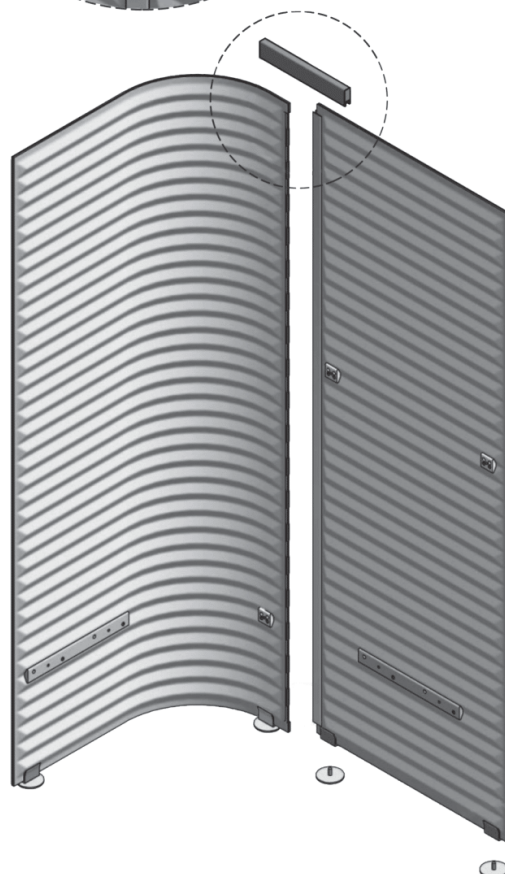
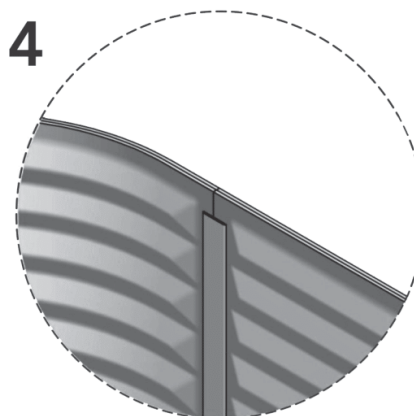
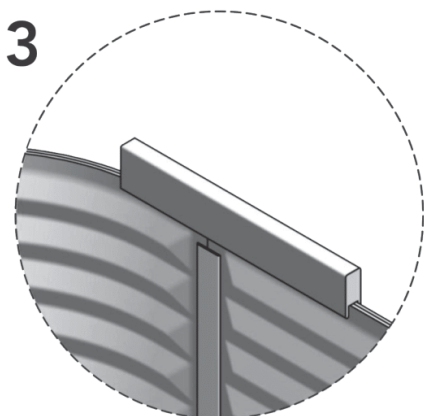
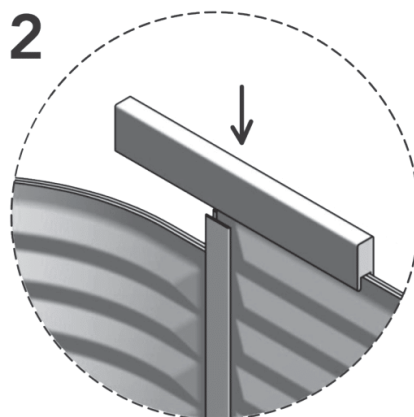
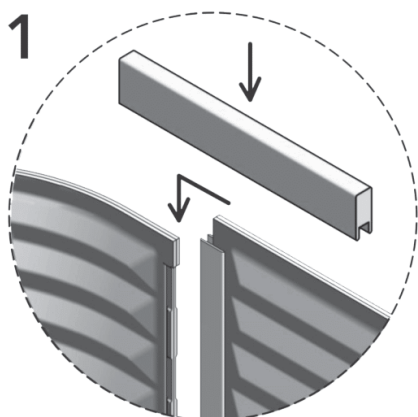
Soundroom

Working Room
Double High Seating

design:
Tomek Rygalik
2017

Noti.

SR/WR/DHS



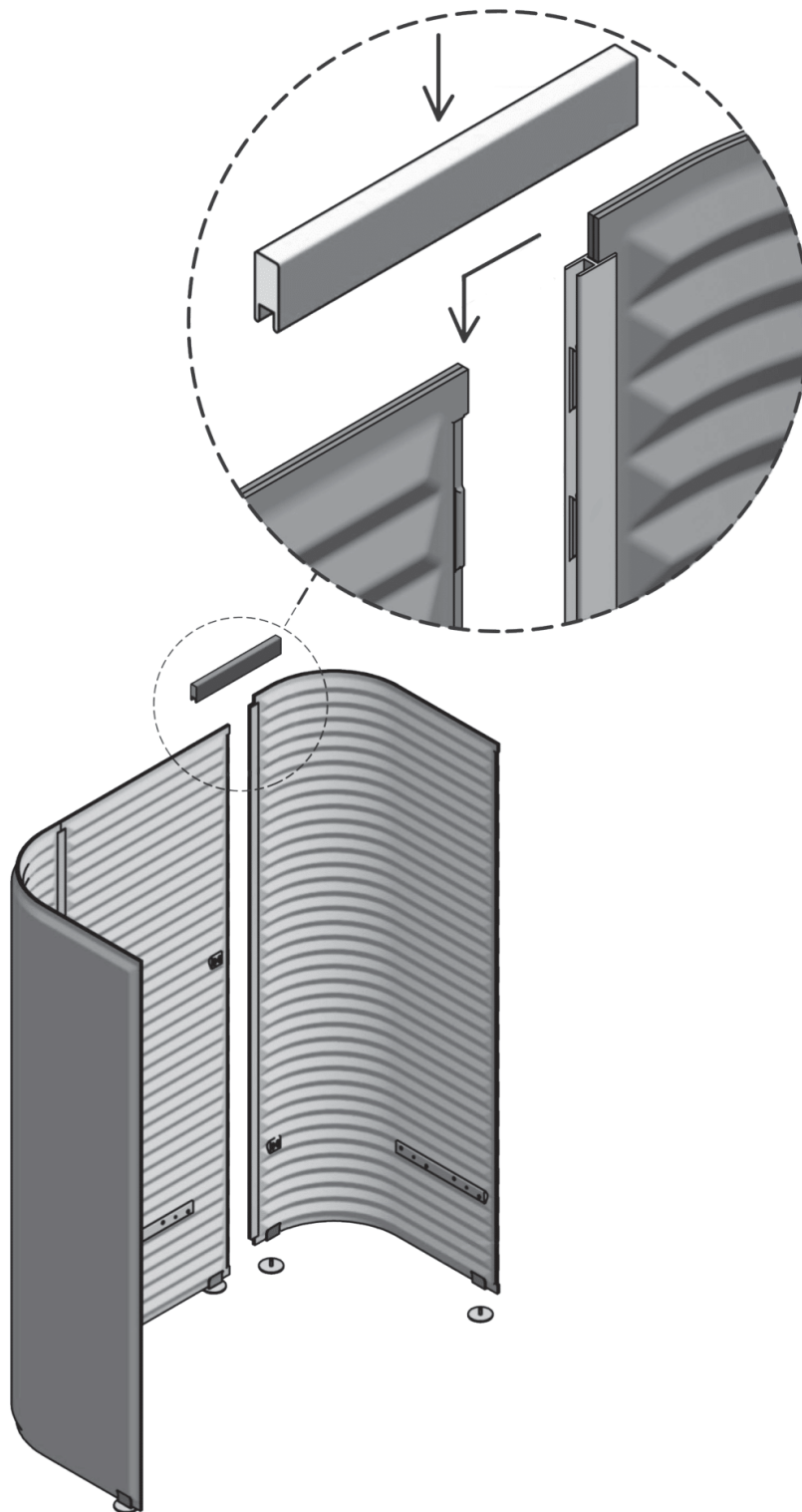
Soundroom

Working Room
Double High Seating

design:
Tomek Rygalik
2017

Noti.

SR/WR/DHS



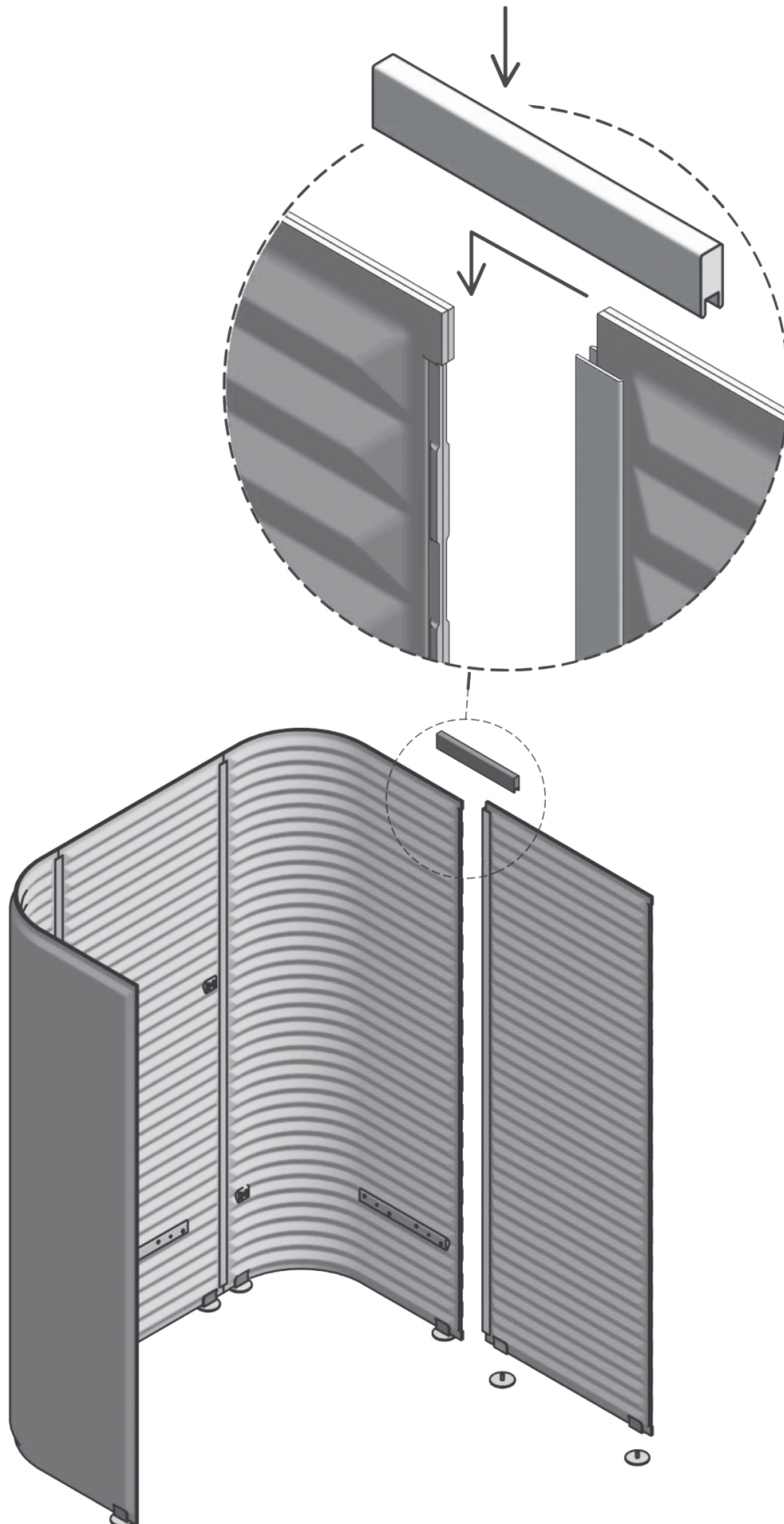
Soundroom

Working Room
Double High Seating

design:
Tomek Rygalik
2017

Noti.

SR/WR/DHS



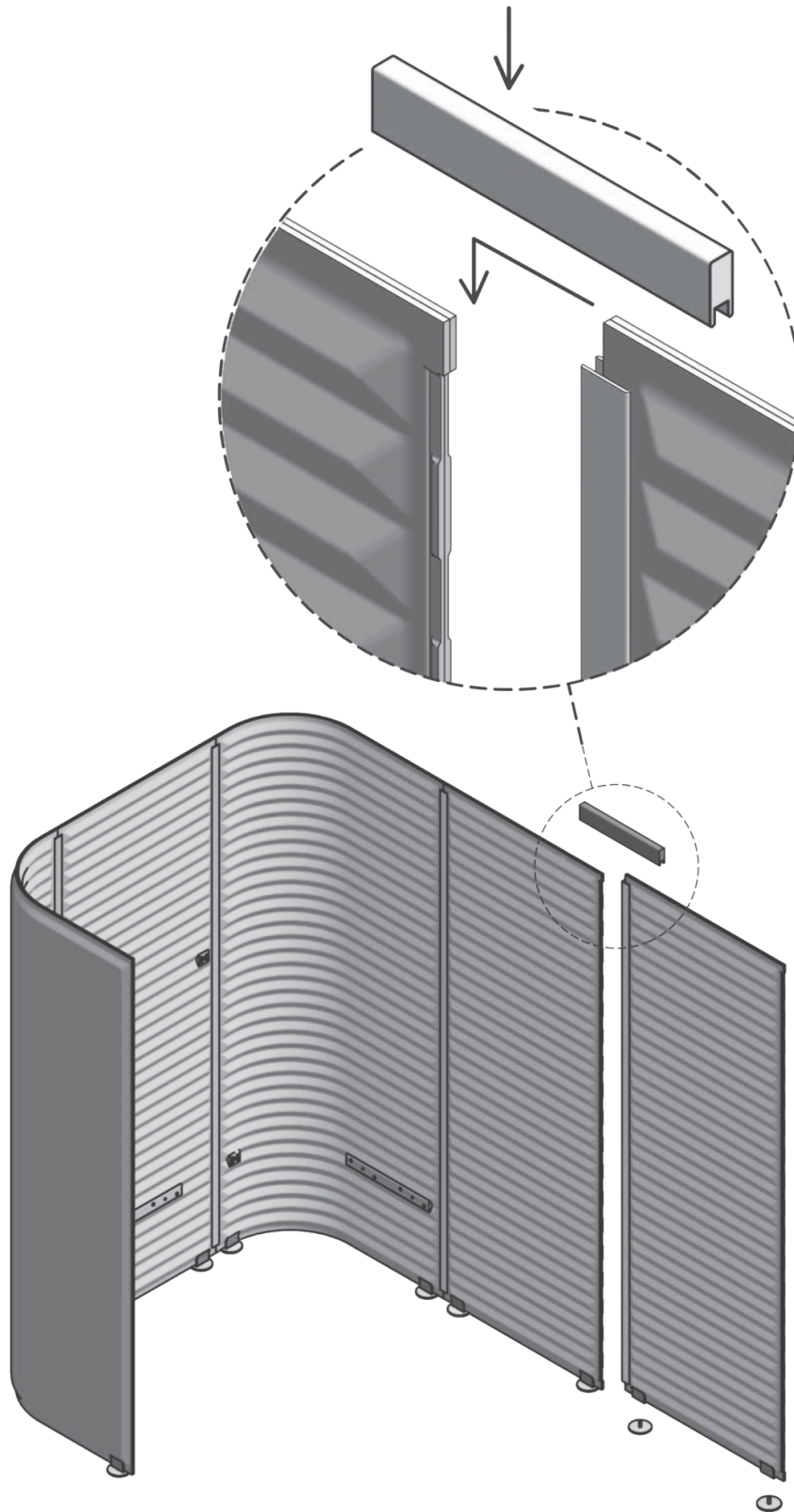
Soundroom

Working Room
Double High Seating

design:
Tomek Rygalik
2017

Noti.

SR/WR/DHS



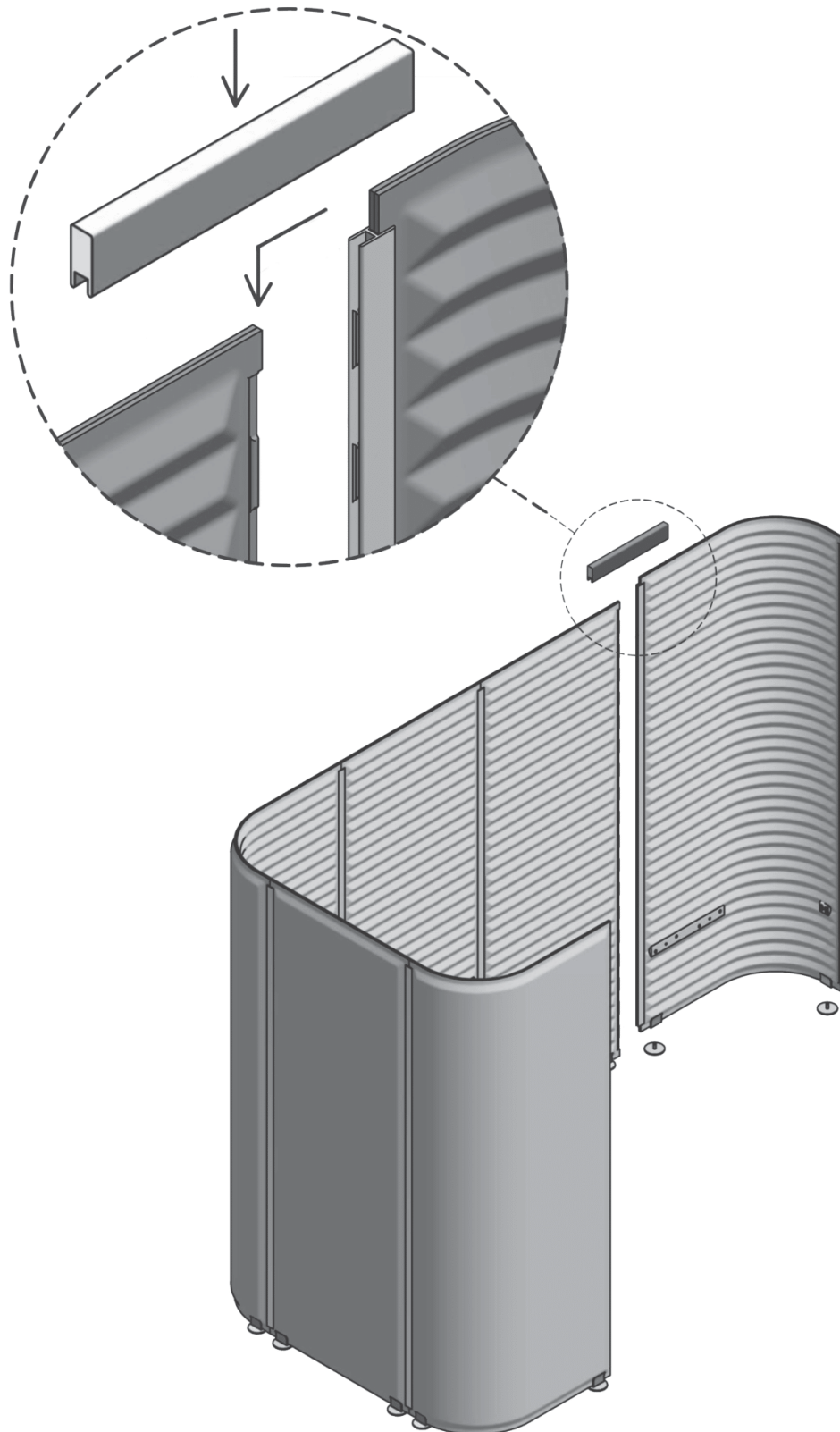
Soundroom

Working Room
Double High Seating

design:
Tomek Rygalik
2017

Noti.

SR/WR/DHS



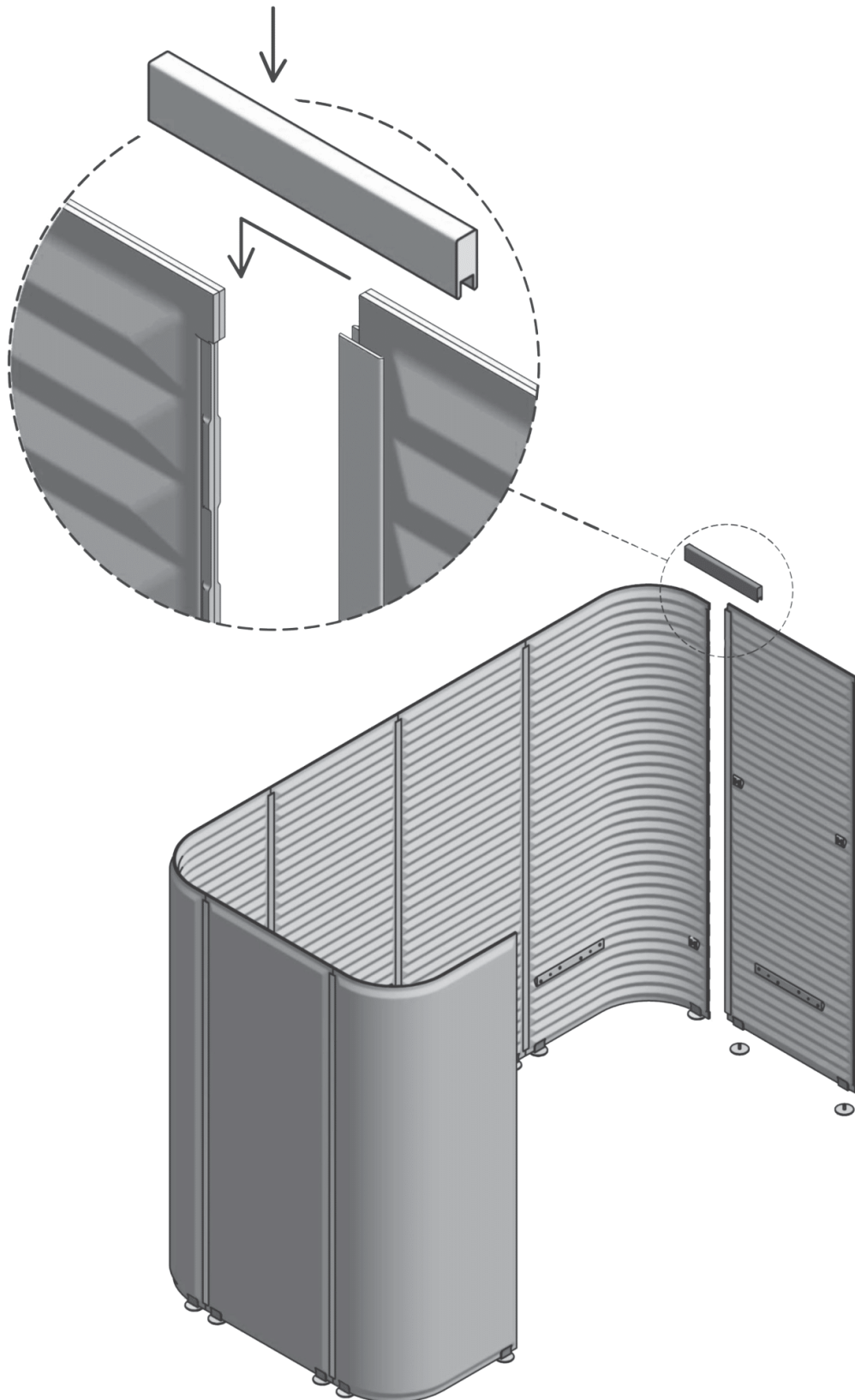
Soundroom

Working Room
Double High Seating

design:
Tomek Rygalik
2017

Noti.

SR/WR/DHS



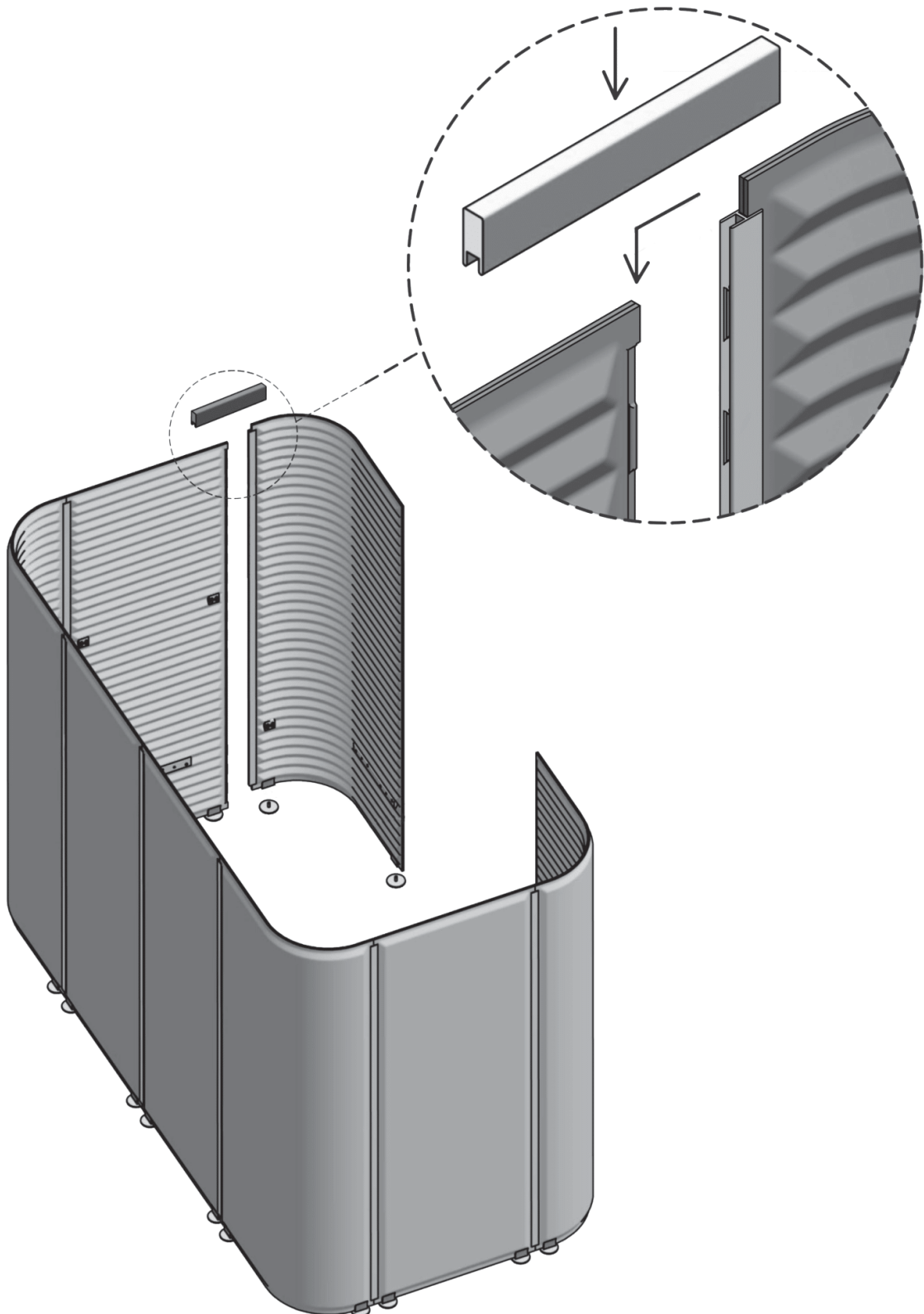
Soundroom

Working Room
Double High Seating

design:
Tomek Rygalik
2017

Noti.

SR/WR/DHS



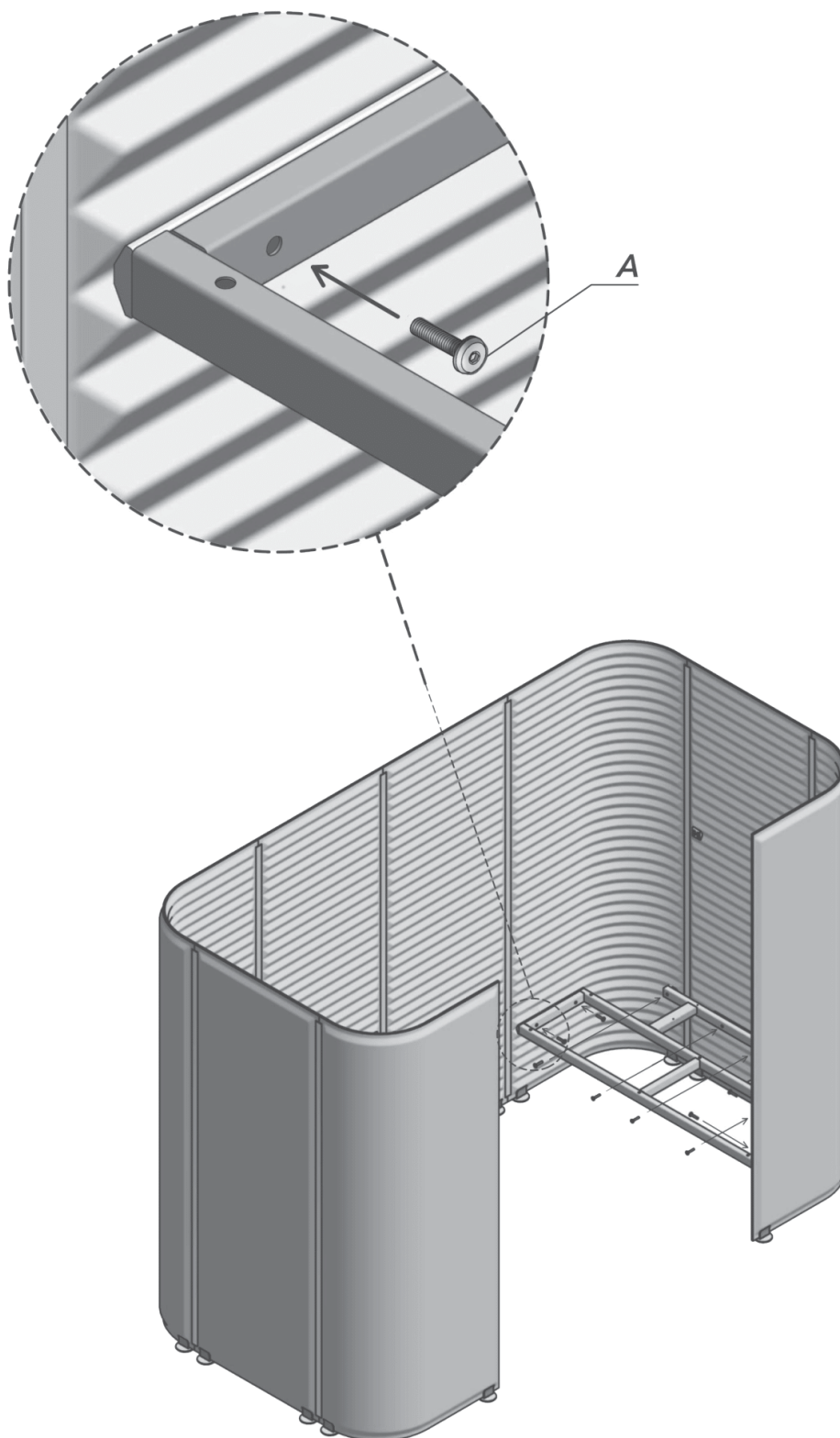
Soundroom

Working Room
Double High Seating

design:
Tomek Rygalik
2017

Noti.

SR/WR/DHS



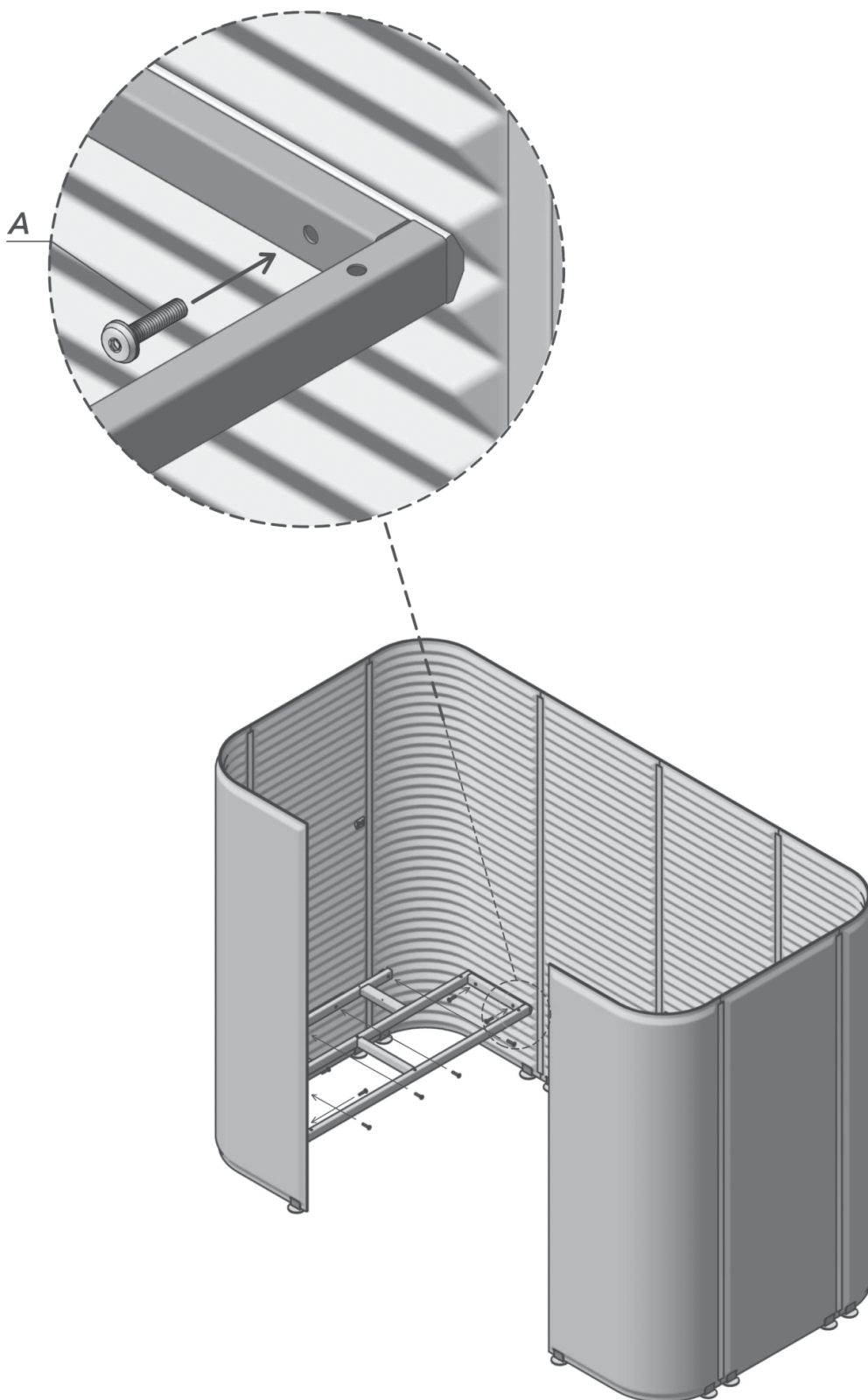
Soundroom

Working Room
Double High Seating

design:
Tomek Rygalik
2017

Noti.

SR/WR/DHS



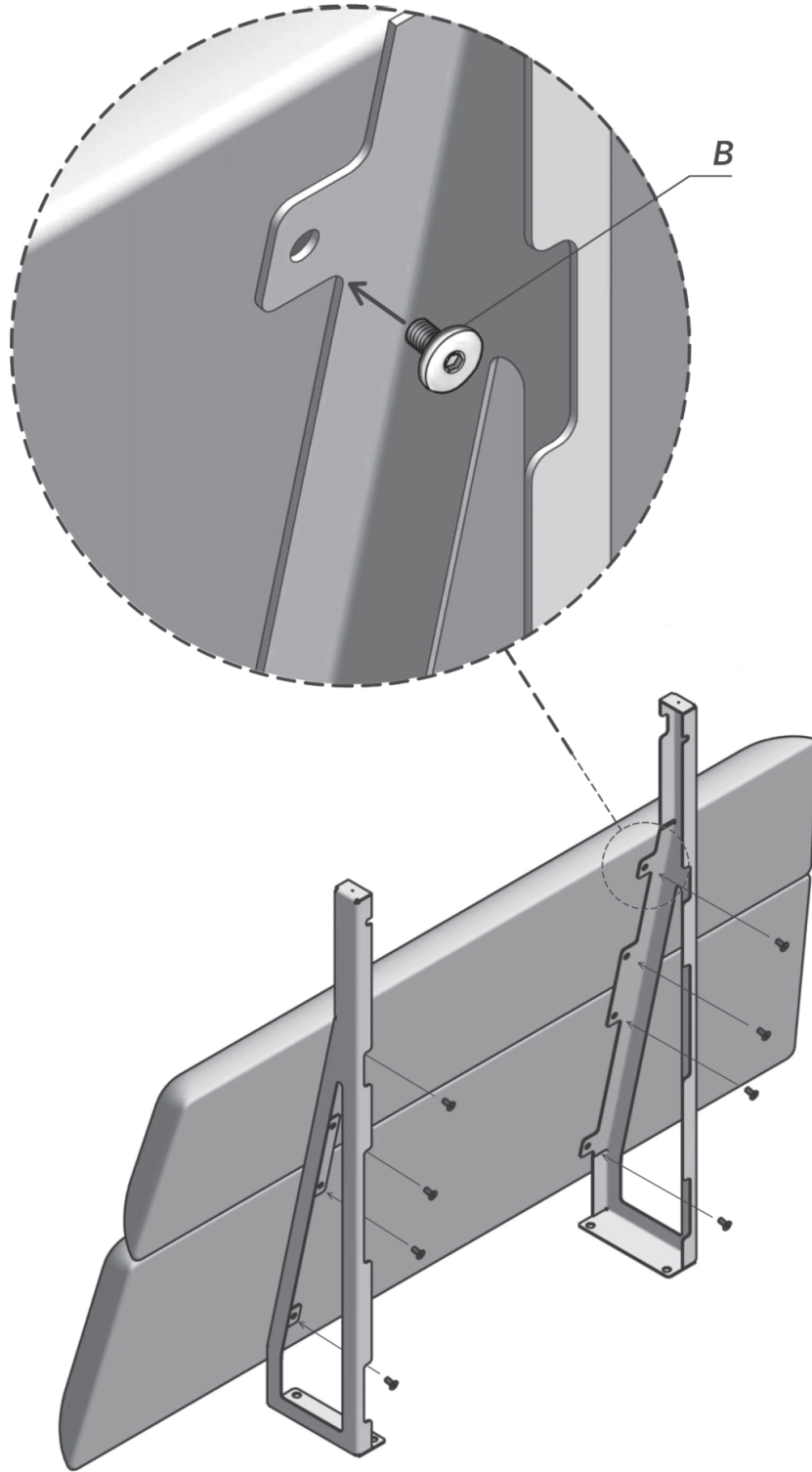
Soundroom

Working Room
Double High Seating

design:
Tomek Rygalik
2017

Noti.

SR/WR/DHS



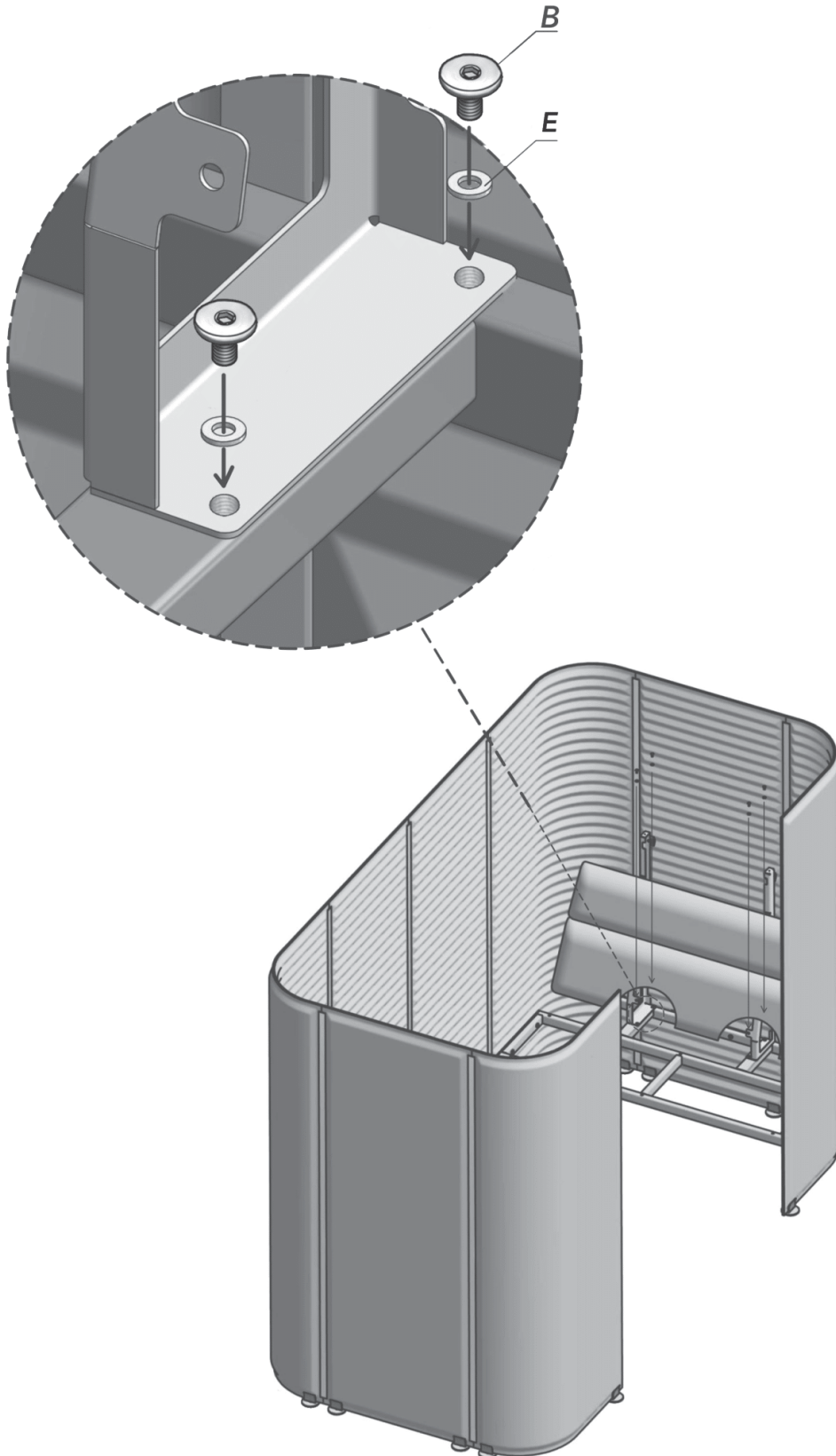
Soundroom

Working Room
Double High Seating

design:
Tomek Rygalik
2017

Noti.

SR/WR/DHS



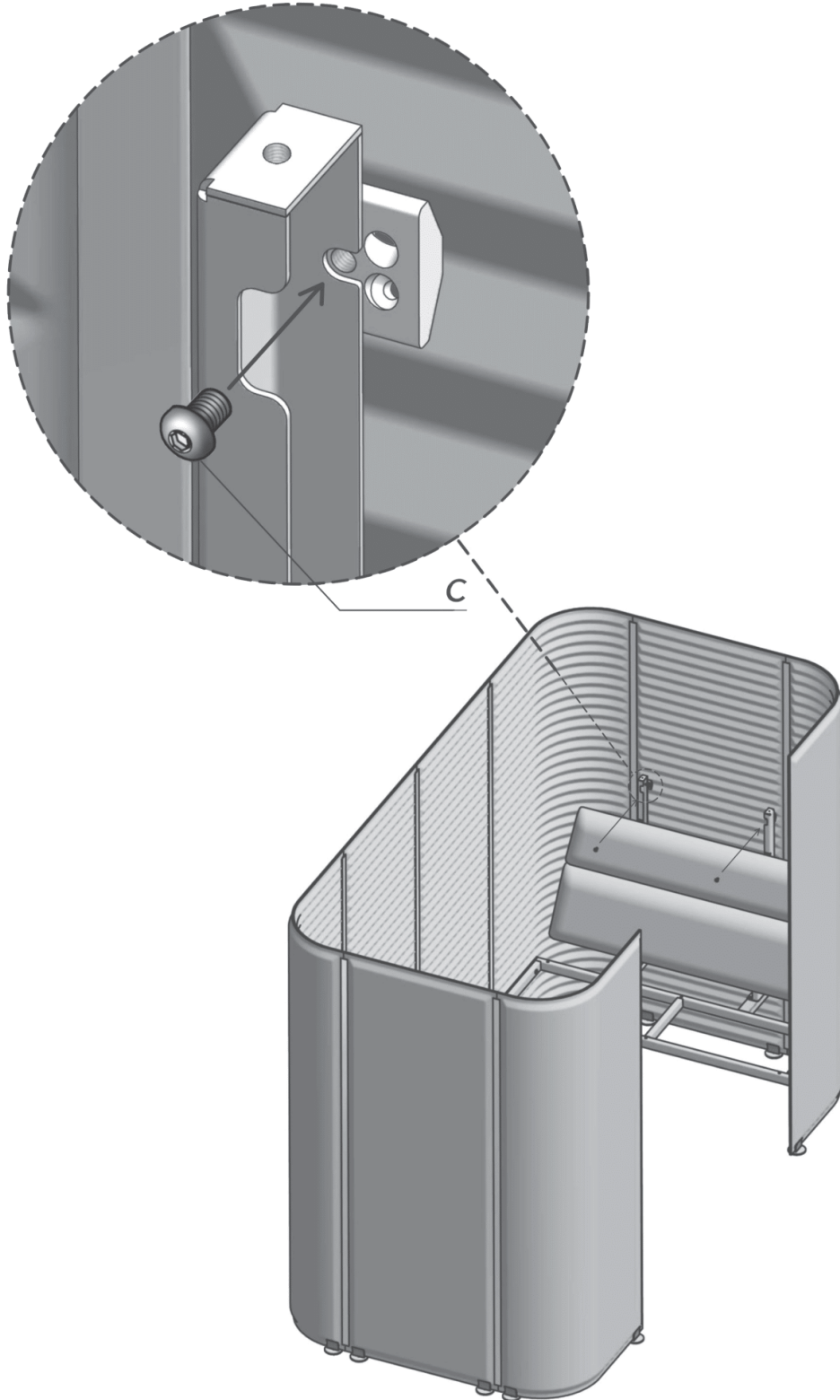
Soundroom

Working Room
Double High Seating

design:
Tomek Rygalik
2017

Noti.

SR/WR/DHS



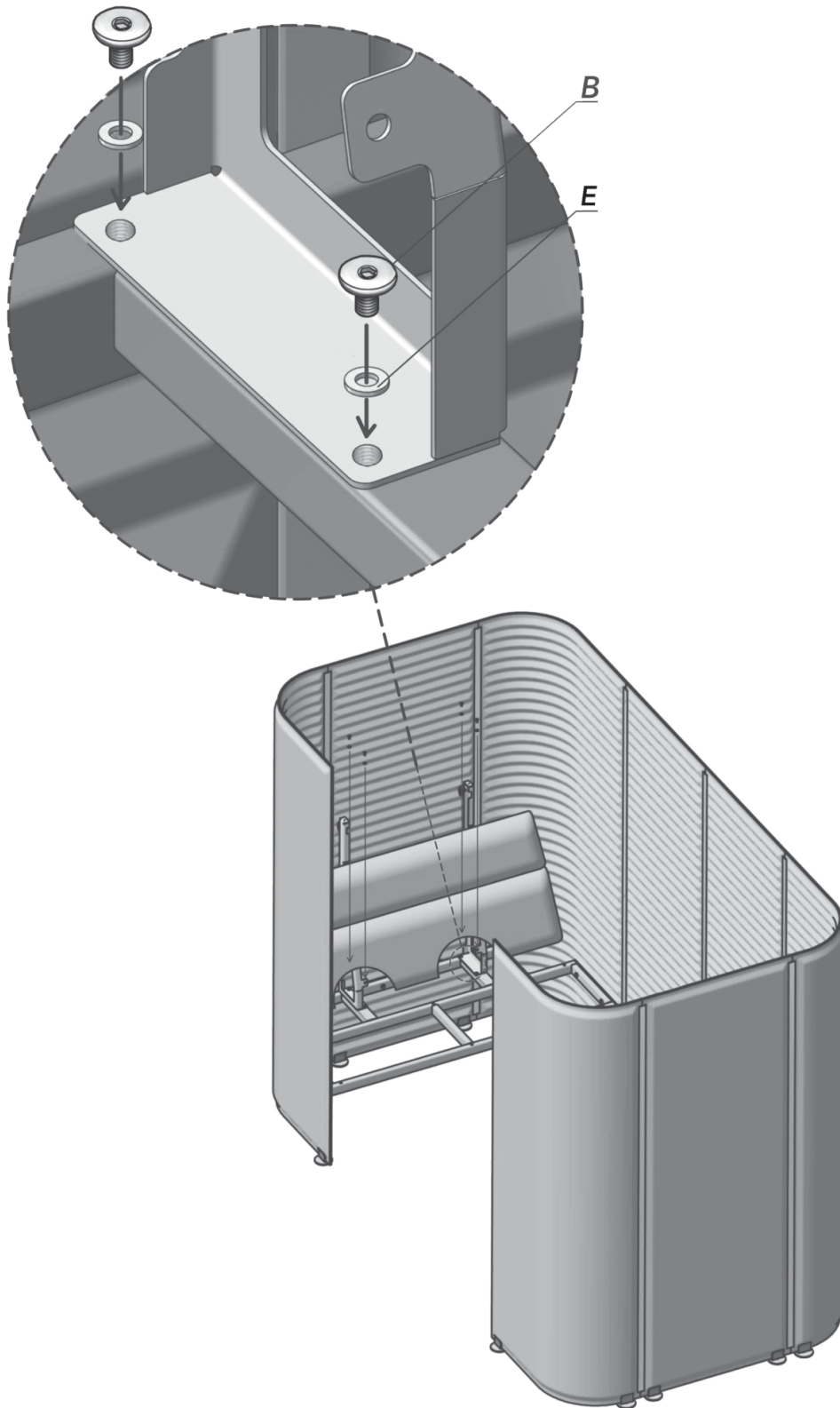
Soundroom

Working Room
Double High Seating

design:
Tomek Rygalik
2017

Noti.

SR/WR/DHS



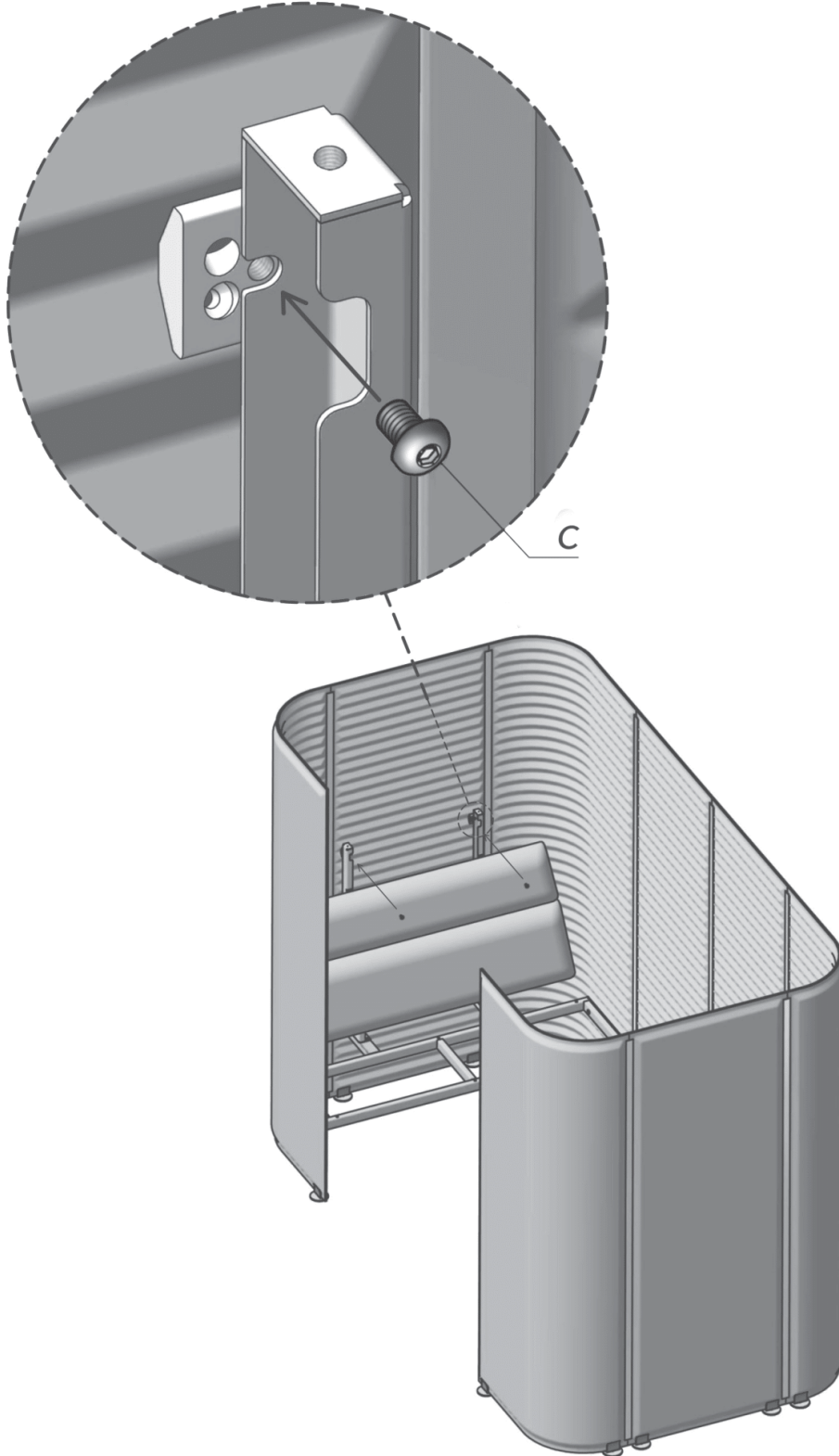
Soundroom

Working Room
Double High Seating

design:
Tomek Rygalik
2017

Noti.

SR/WR/DHS



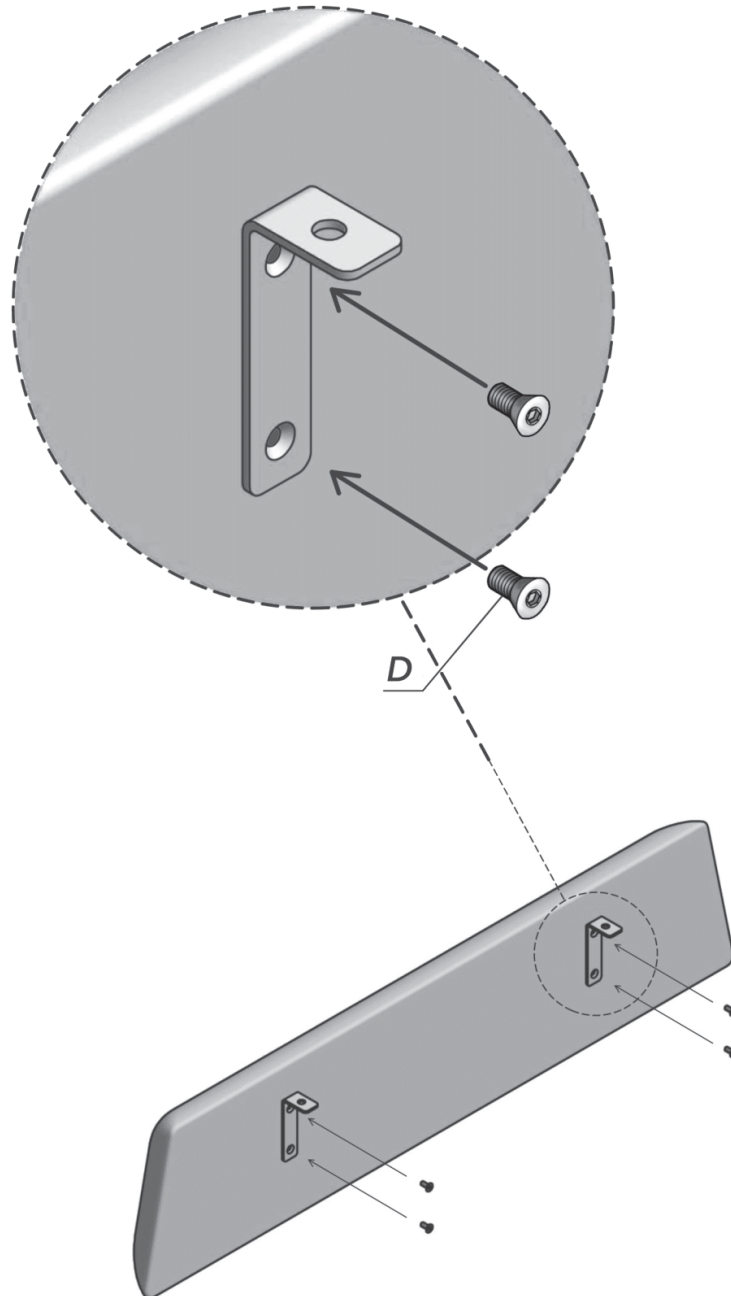
Soundroom

Working Room
Double High Seating

design:
Tomek Rygalik
2017

Noti.

SR/WR/DHS



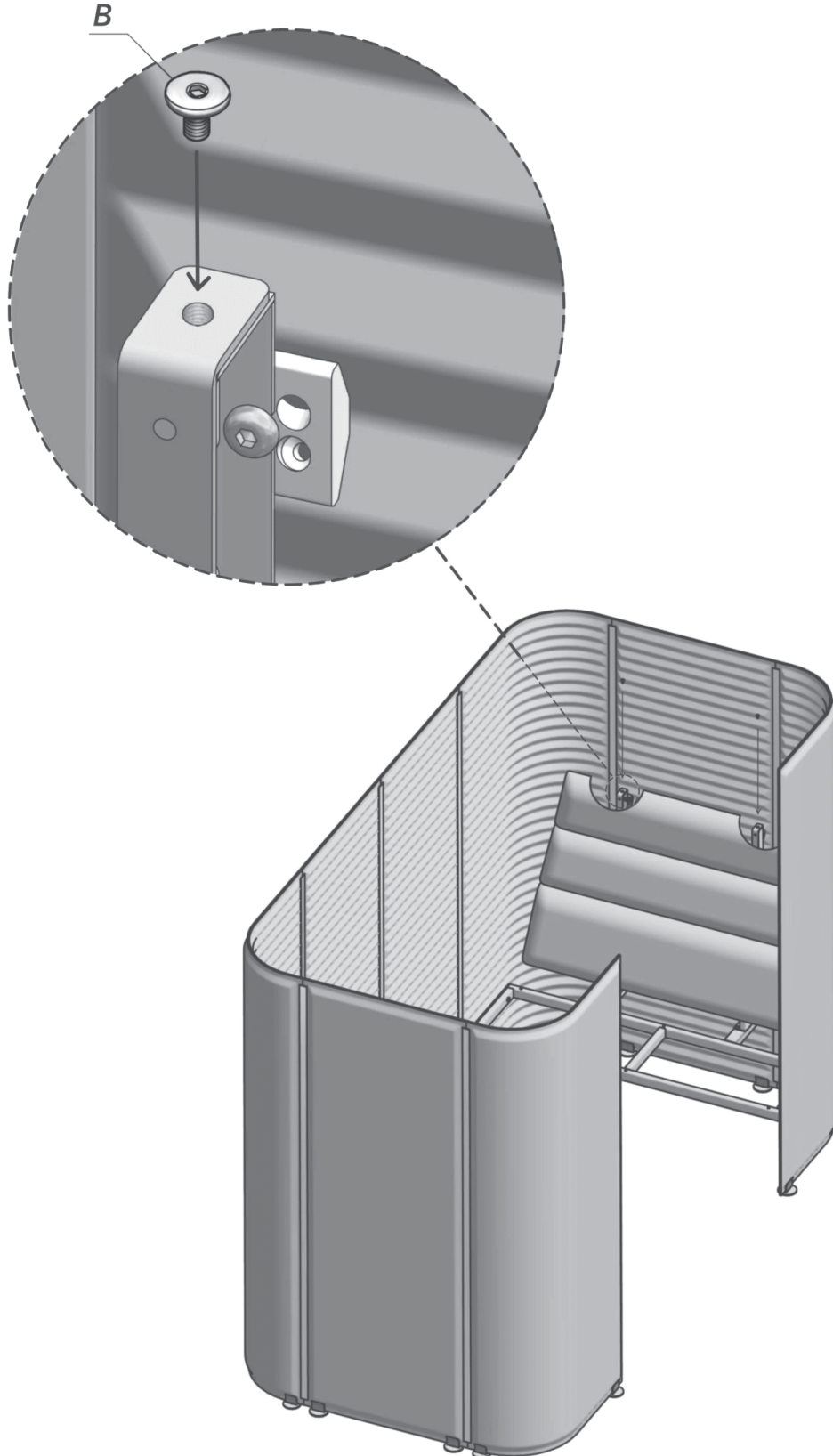
Soundroom

Working Room
Double High Seating

design:
Tomek Rygalik
2017

Noti.

SR/WR/DHS



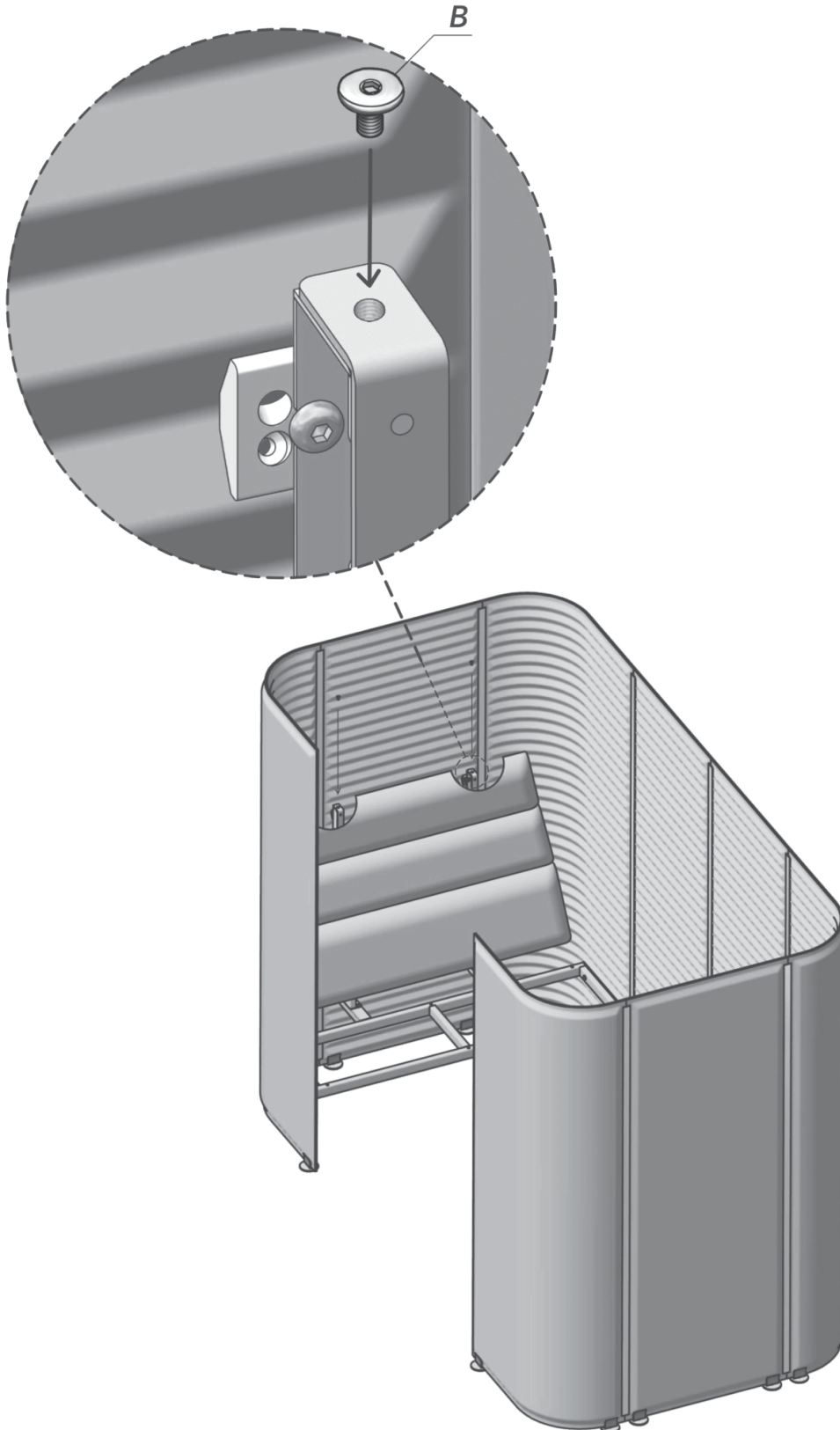
Soundroom

Working Room
Double High Seating

design:
Tomek Rygalik
2017

Noti.

SR/WR/DHS



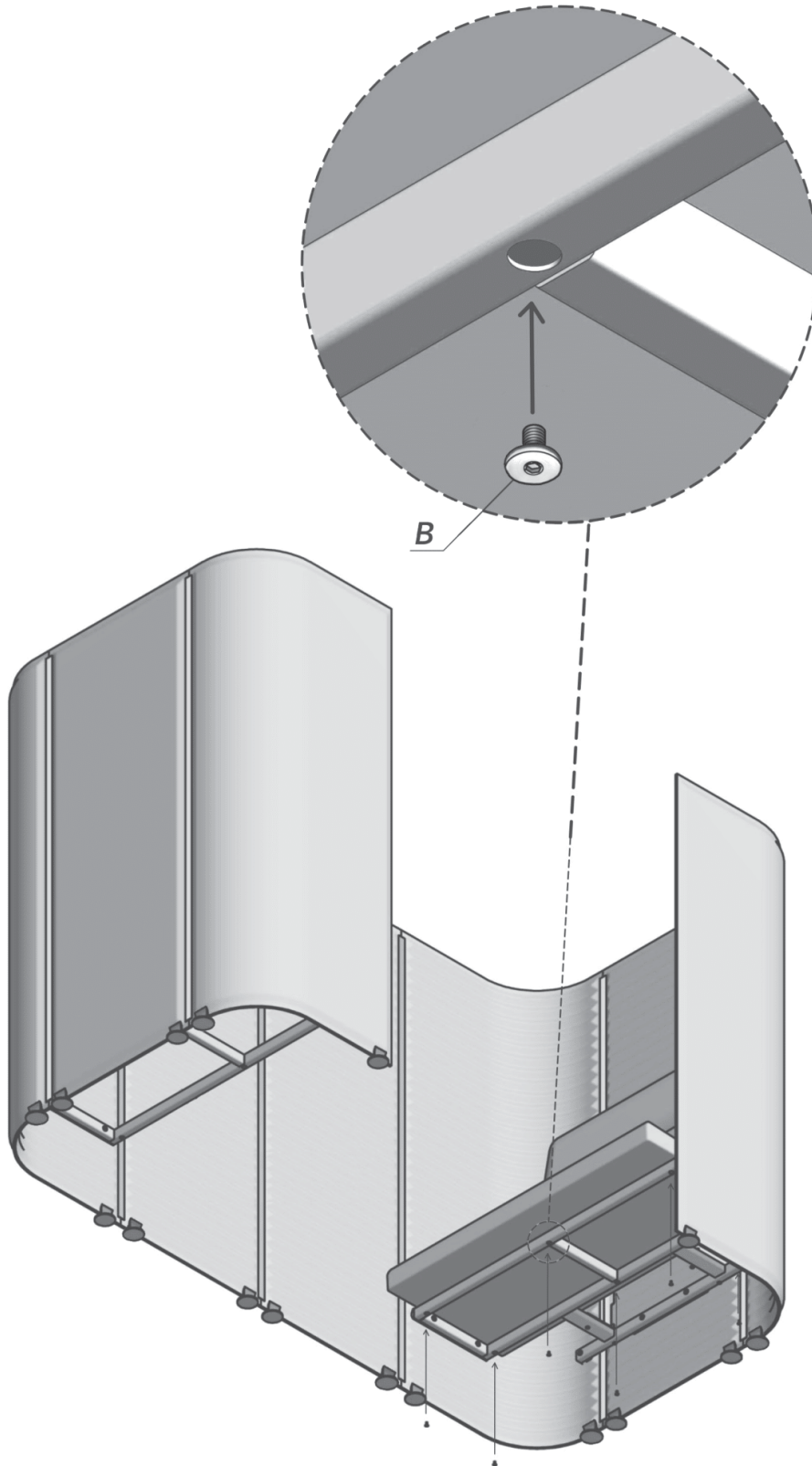
Soundroom

Working Room
Double High Seating

design:
Tomek Rygalik
2017

Noti.

SR/WR/DHS



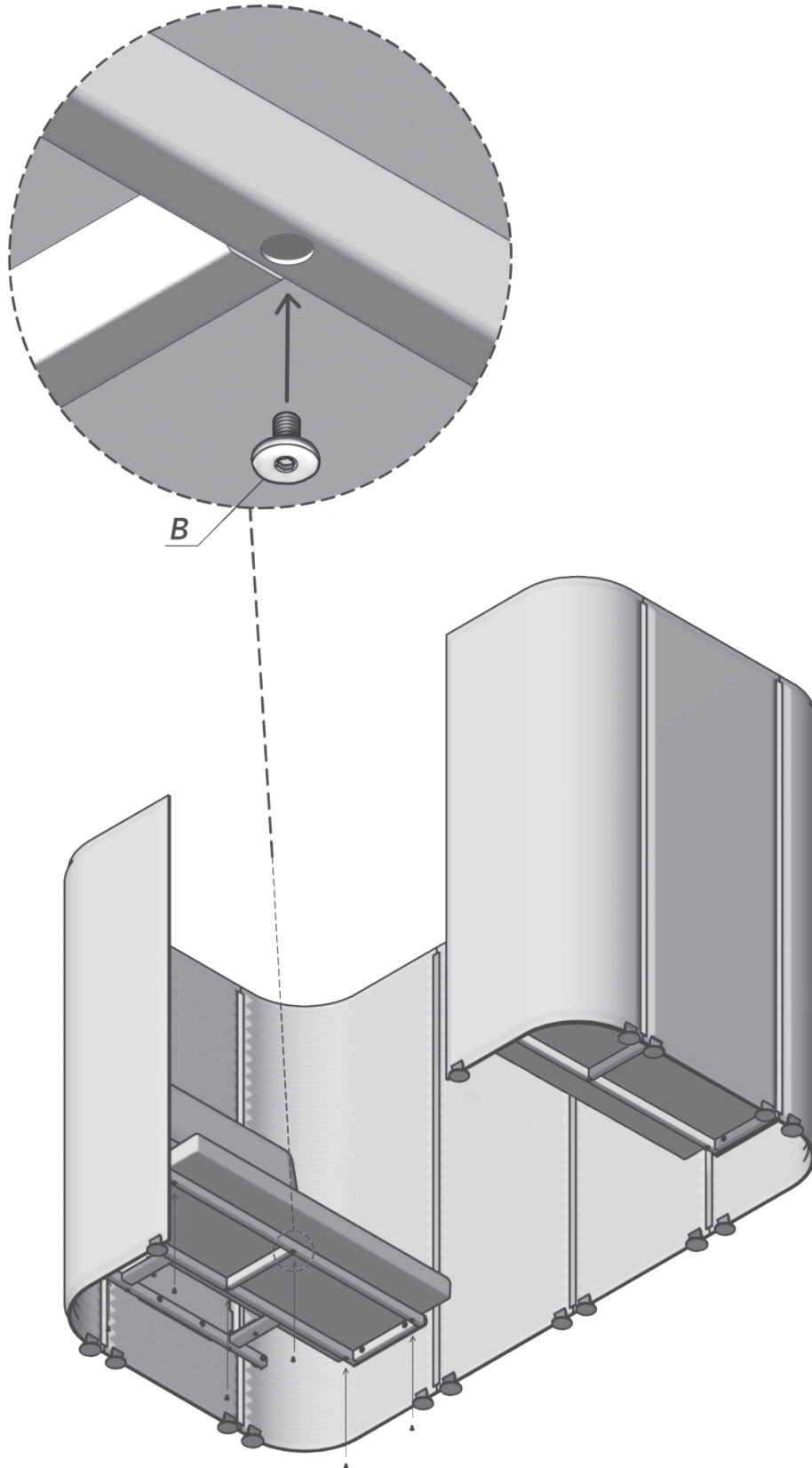
Soundroom

Working Room
Double High Seating

design:
Tomek Rygalik
2017

Noti.

SR/WR/DHS



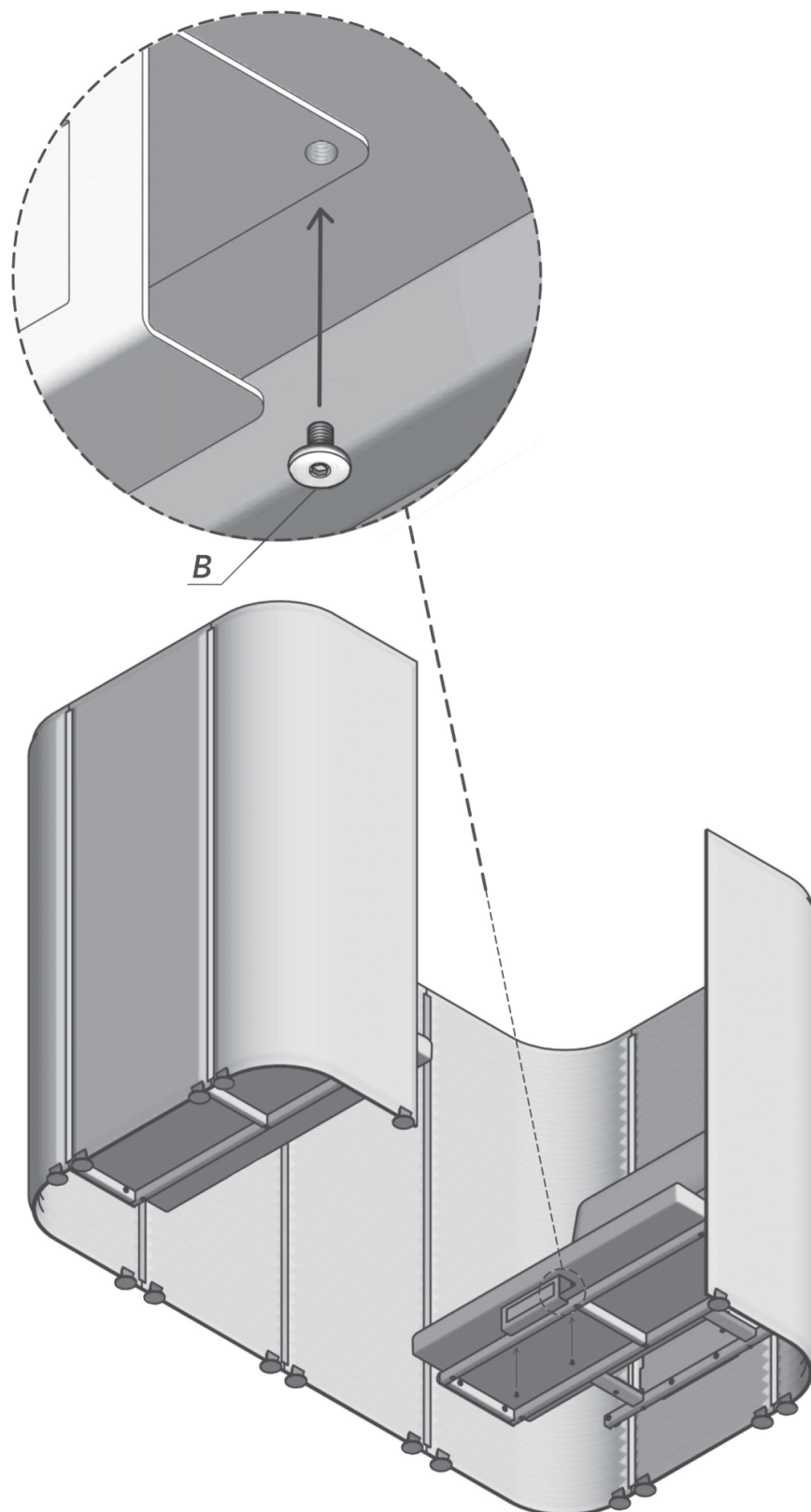
Soundroom

Working Room
Double High Seating

design:
Tomek Rygalik
2017

Noti.

SR/WR/DHS



Soundroom

Working Room
Double High Seating

design:
Tomek Rygalik
2017

Noti.

SR/WR/DHS

