

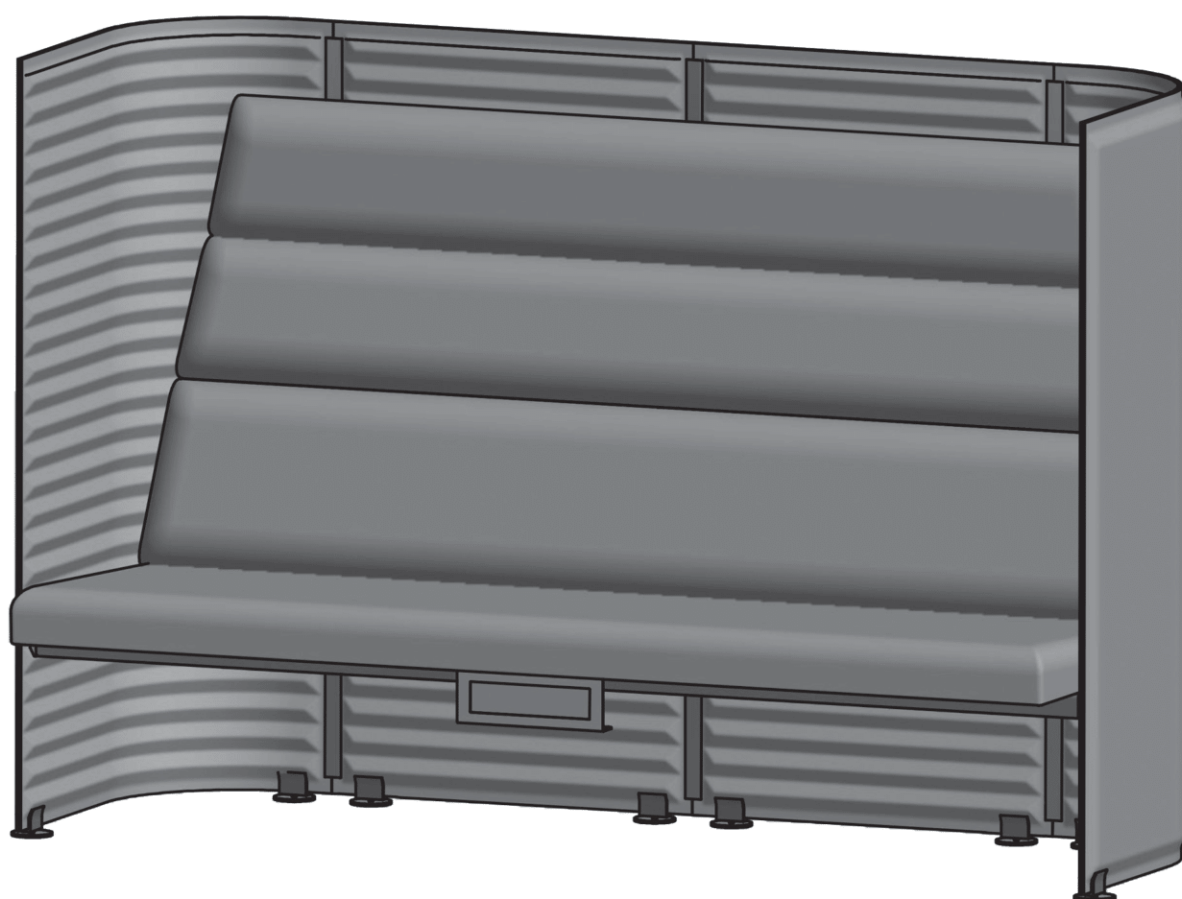
Soundroom

Triple Low Seating

SR/TLS

design:
Tomek Rygalik
2017

Noti.

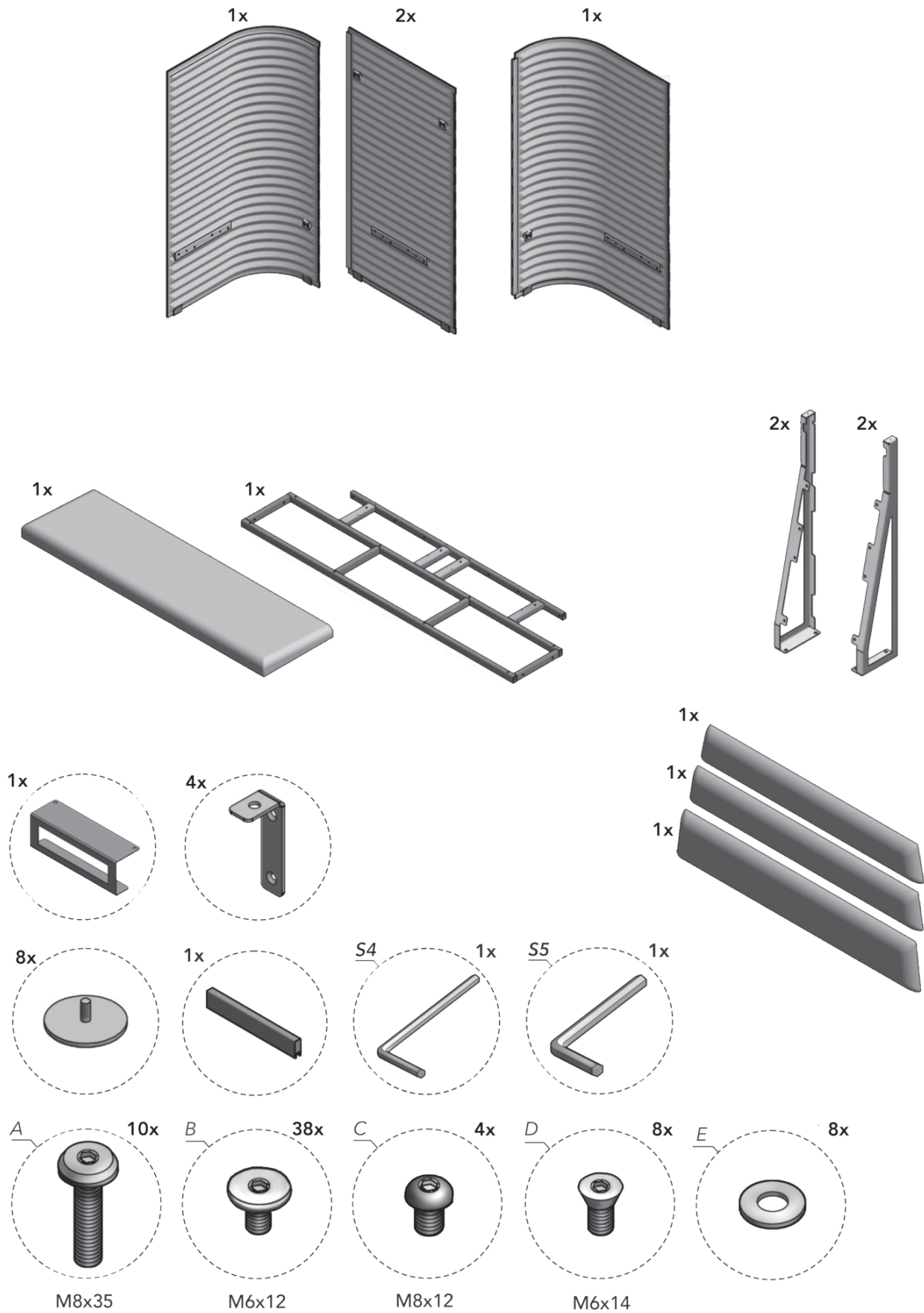


Soundroom Triple Low Seating

design:
Tomek Rygalik
2017

Noti.

SR/TLS



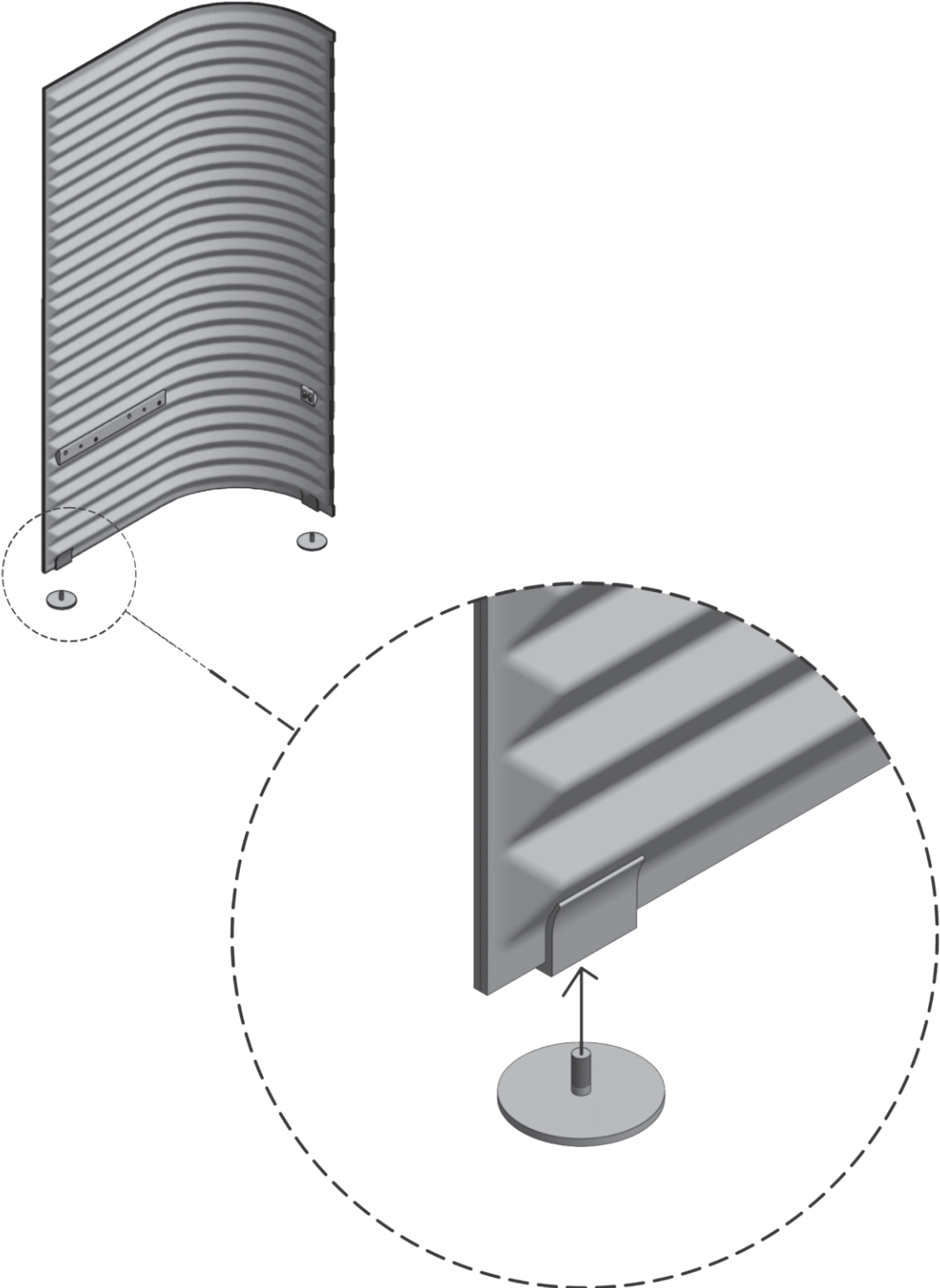
Soundroom

Triple Low Seating

SR/TLS

design:
Tomek Rygalik
2017

Noti.



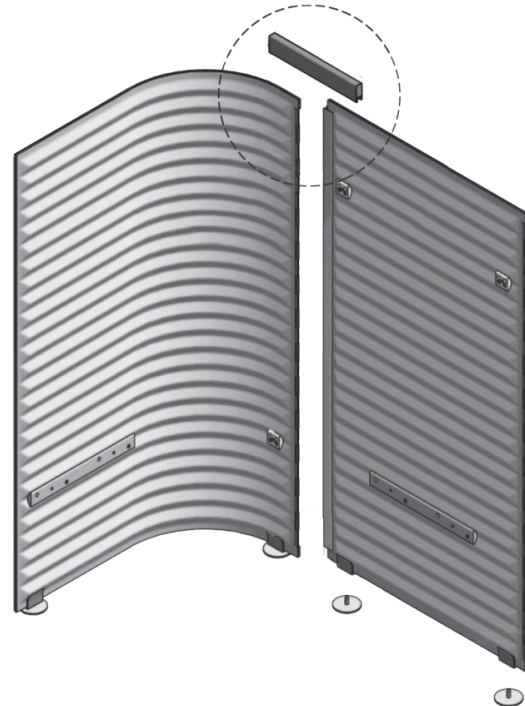
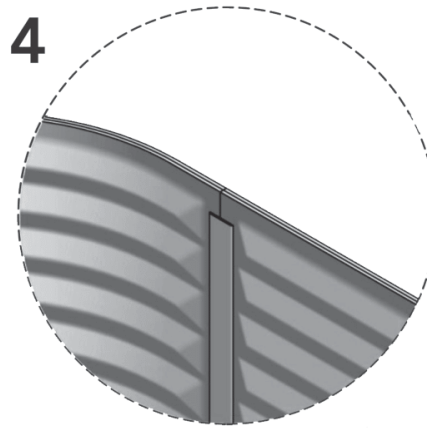
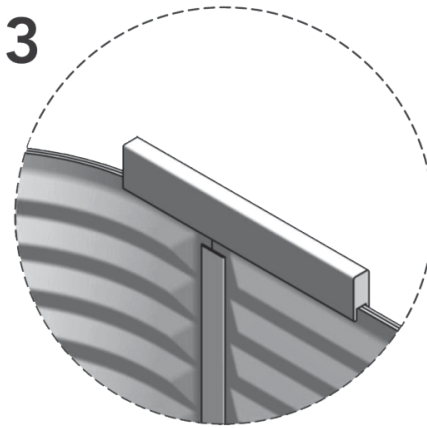
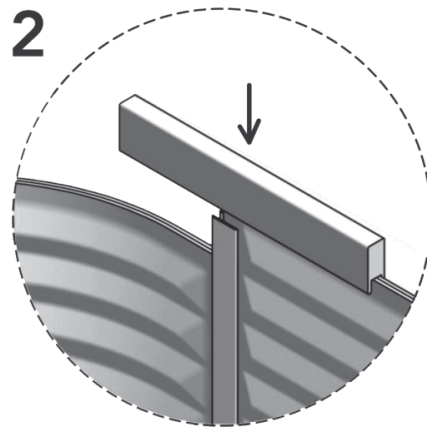
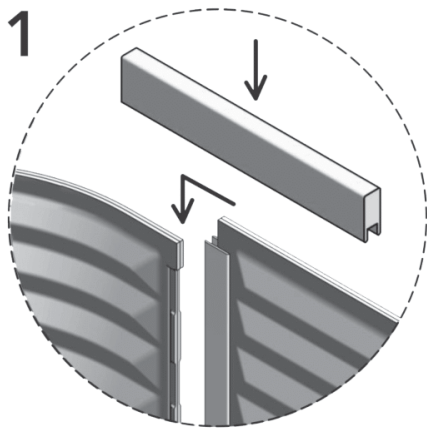
Soundroom

Triple Low Seating

design:
Tomek Rygalik
2017

Noti.

SR/TLS



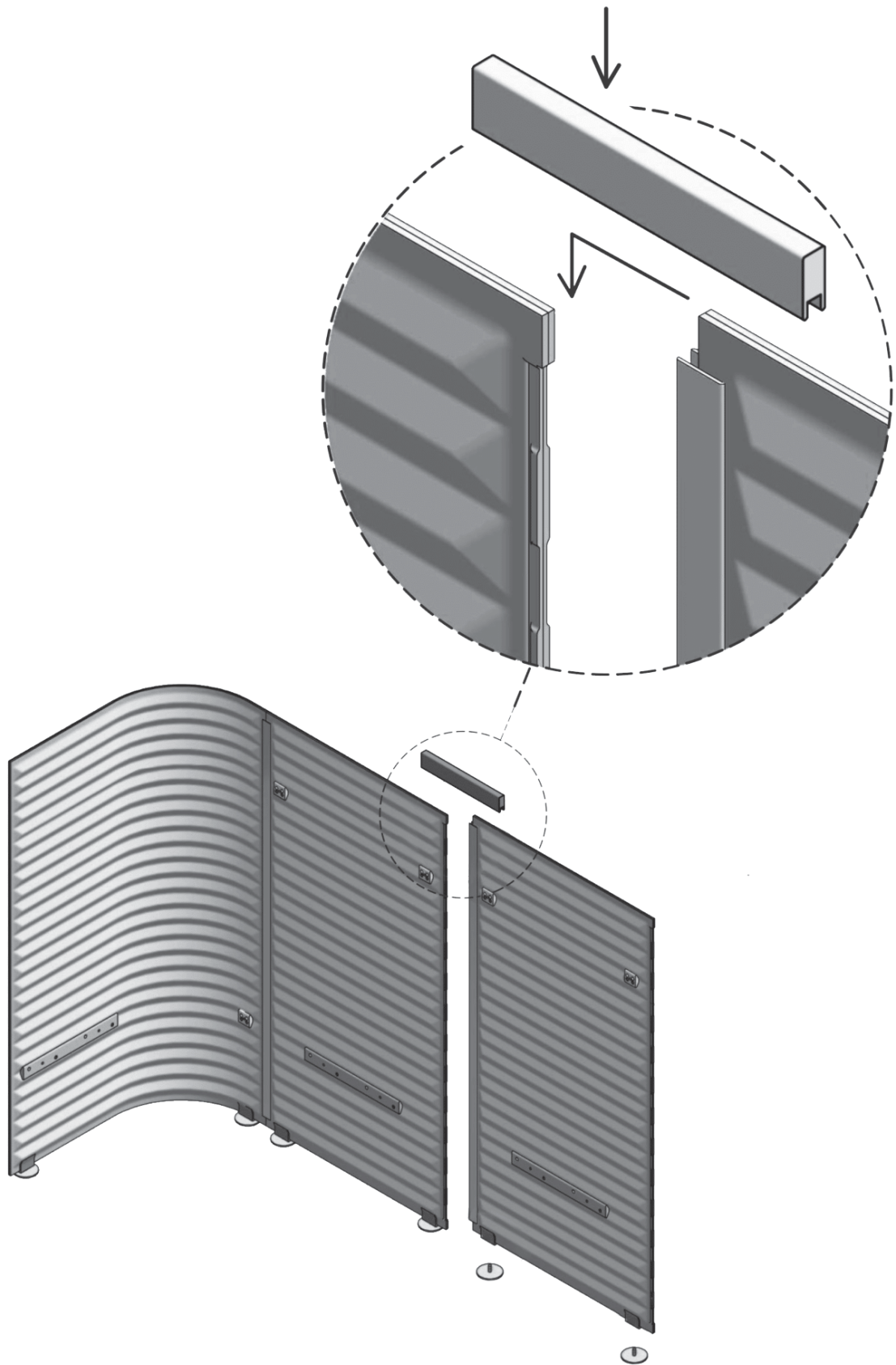
Soundroom

Triple Low Seating

SR/TLS

design:
Tomek Rygalik
2017

Noti.



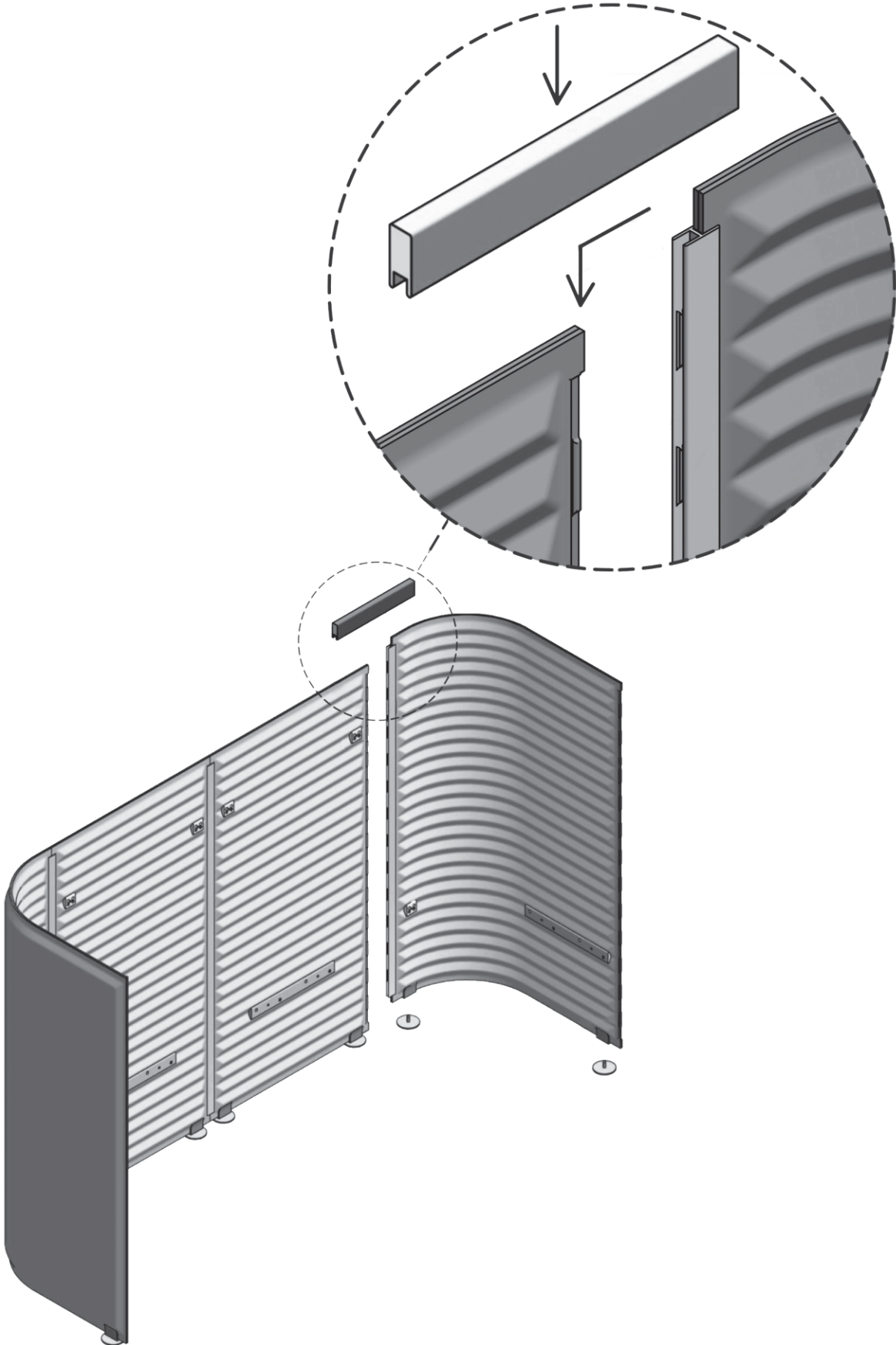
Soundroom

Triple Low Seating

design:
Tomek Rygalik
2017

Noti.

SR/TLS



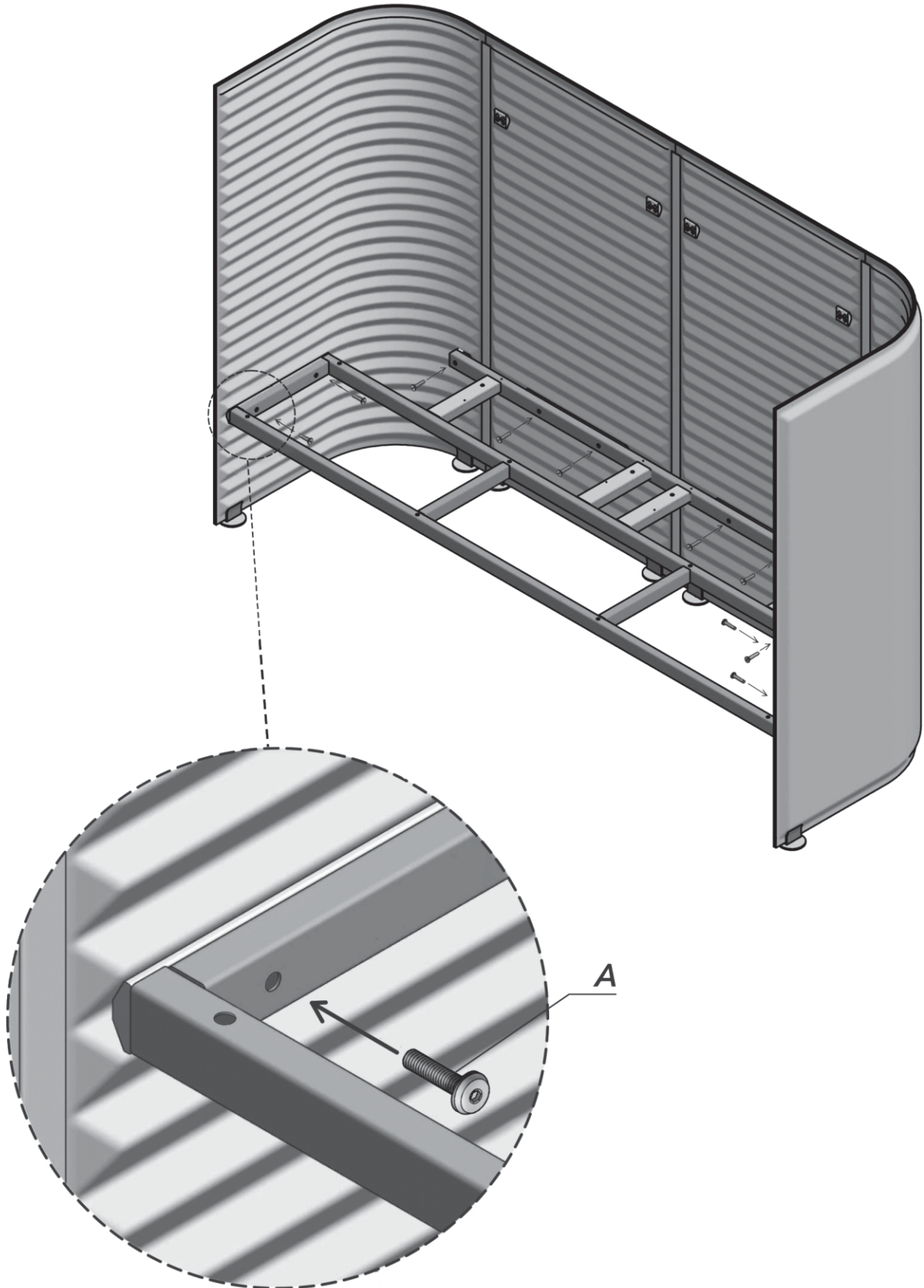
Soundroom

Triple Low Seating

SR/TLS

design:
Tomek Rygalik
2017

Noti.



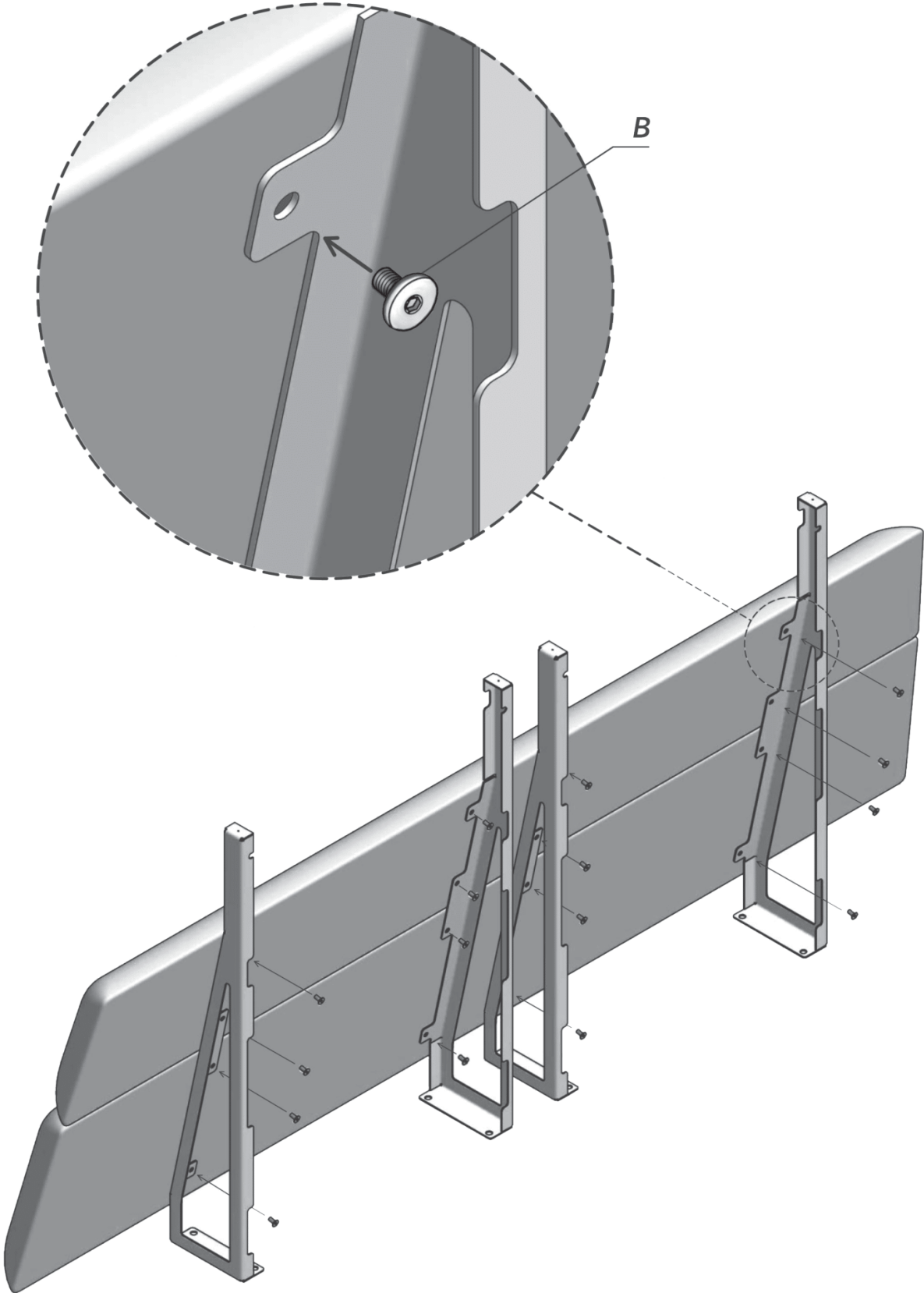
Soundroom

Triple Low Seating

design:
Tomek Rygalik
2017

Noti.

SR/TLS



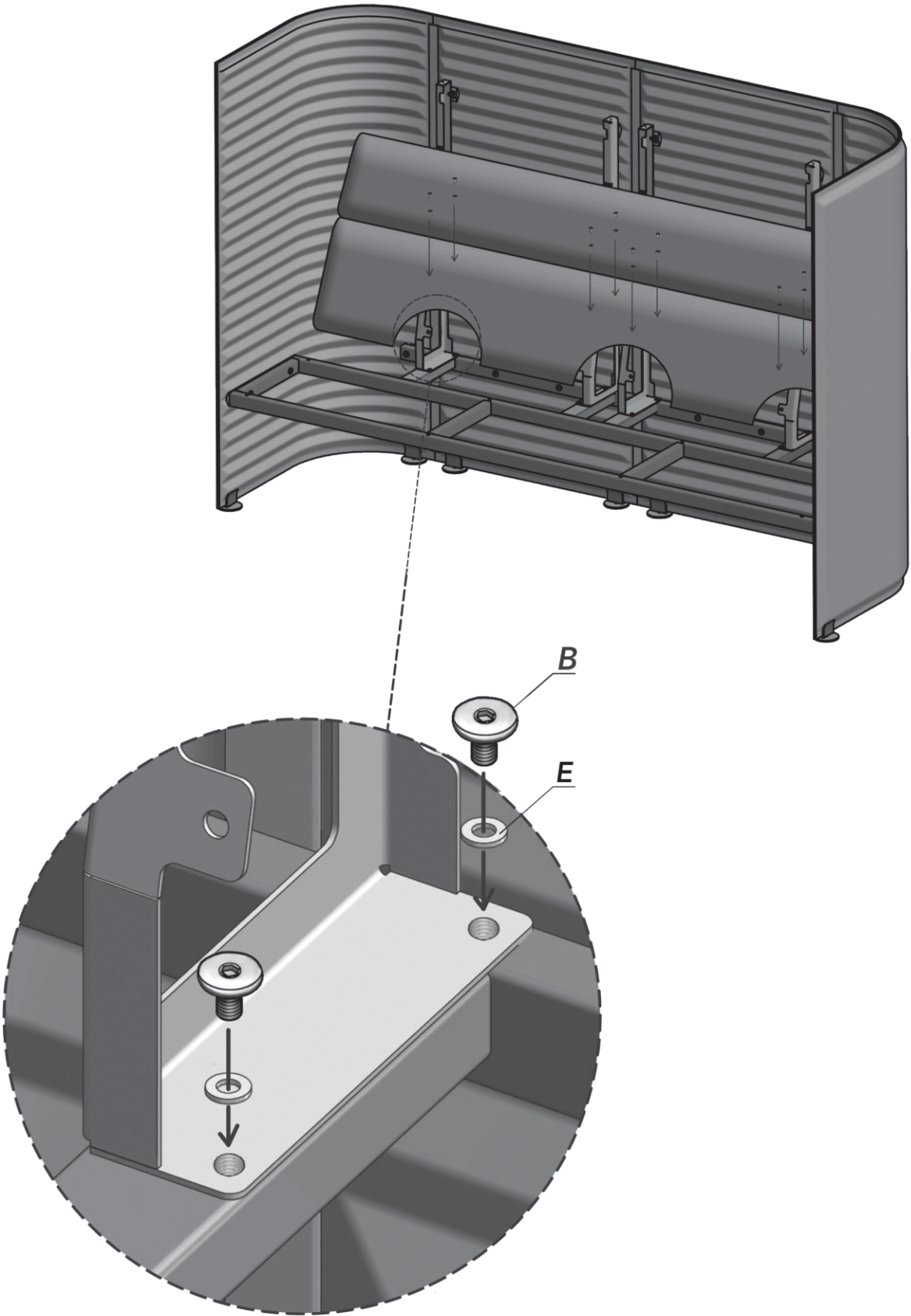
Soundroom

Triple Low Seating

design:
Tomek Rygalik
2017

Noti.

SR/TLS



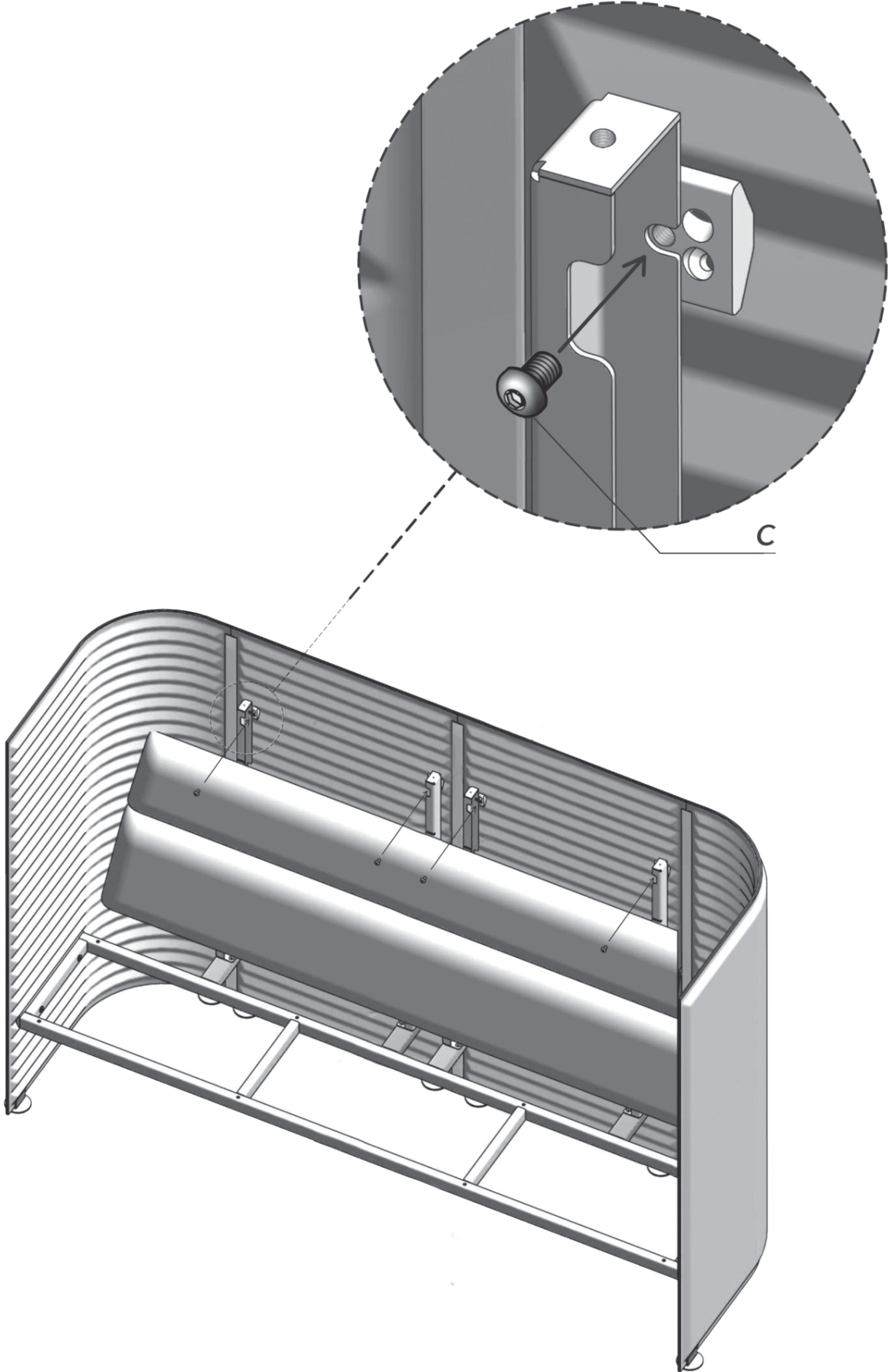
Soundroom

Triple Low Seating

design:
Tomek Rygalik
2017

Noti.

SR/TLS



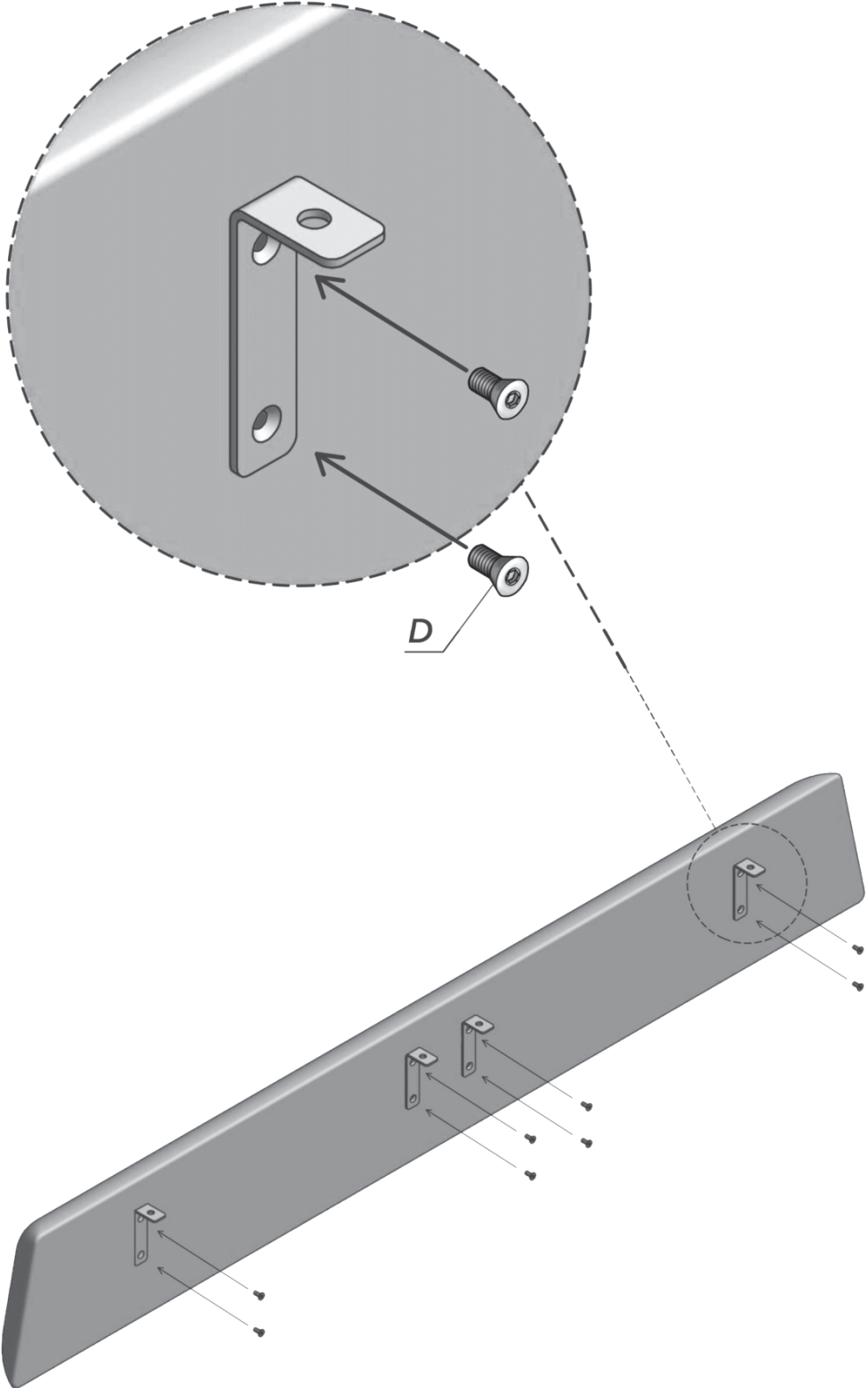
Soundroom

Triple Low Seating

design:
Tomek Rygalik
2017

Noti.

SR/TLS

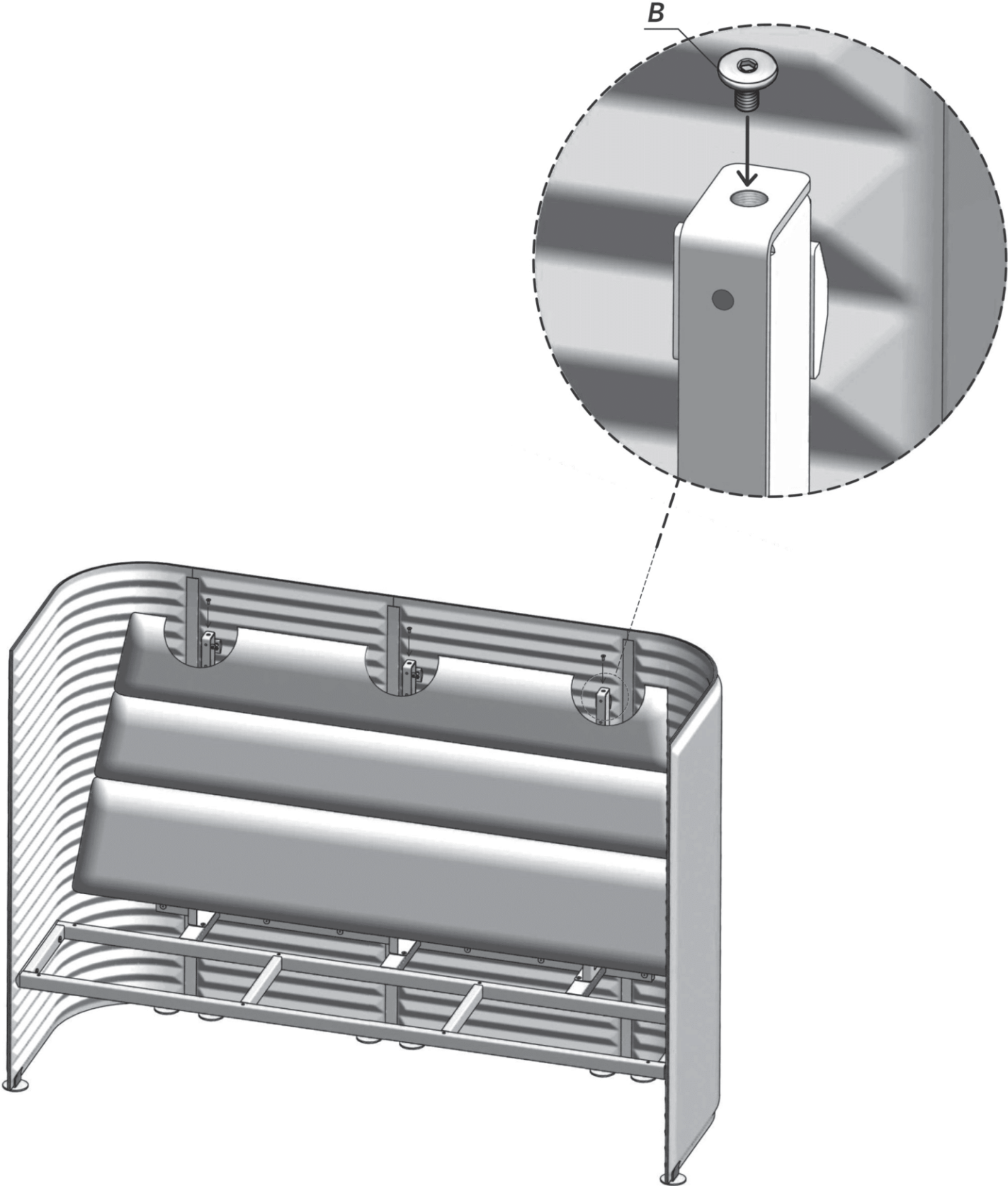


Soundroom Triple Low Seating

SR/TLS

design:
Tomek Rygalik
2017

Noti.



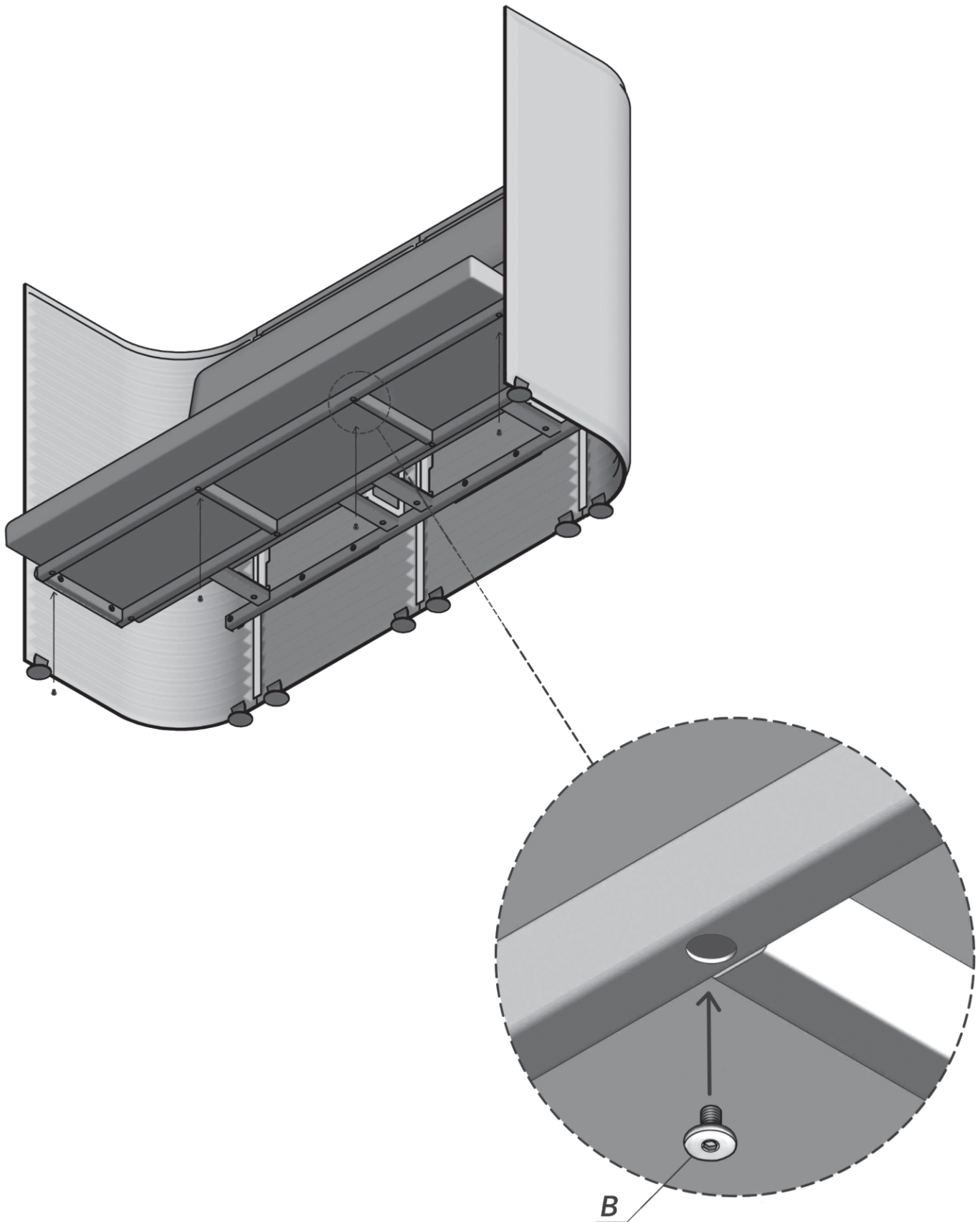
Soundroom

Triple Low Seating

SR/TLS

design:
Tomek Rygalik
2017

Noti.



Soundroom

Triple Low Seating

design:
Tomek Rygalik
2017

Noti.

SR/TLS

