

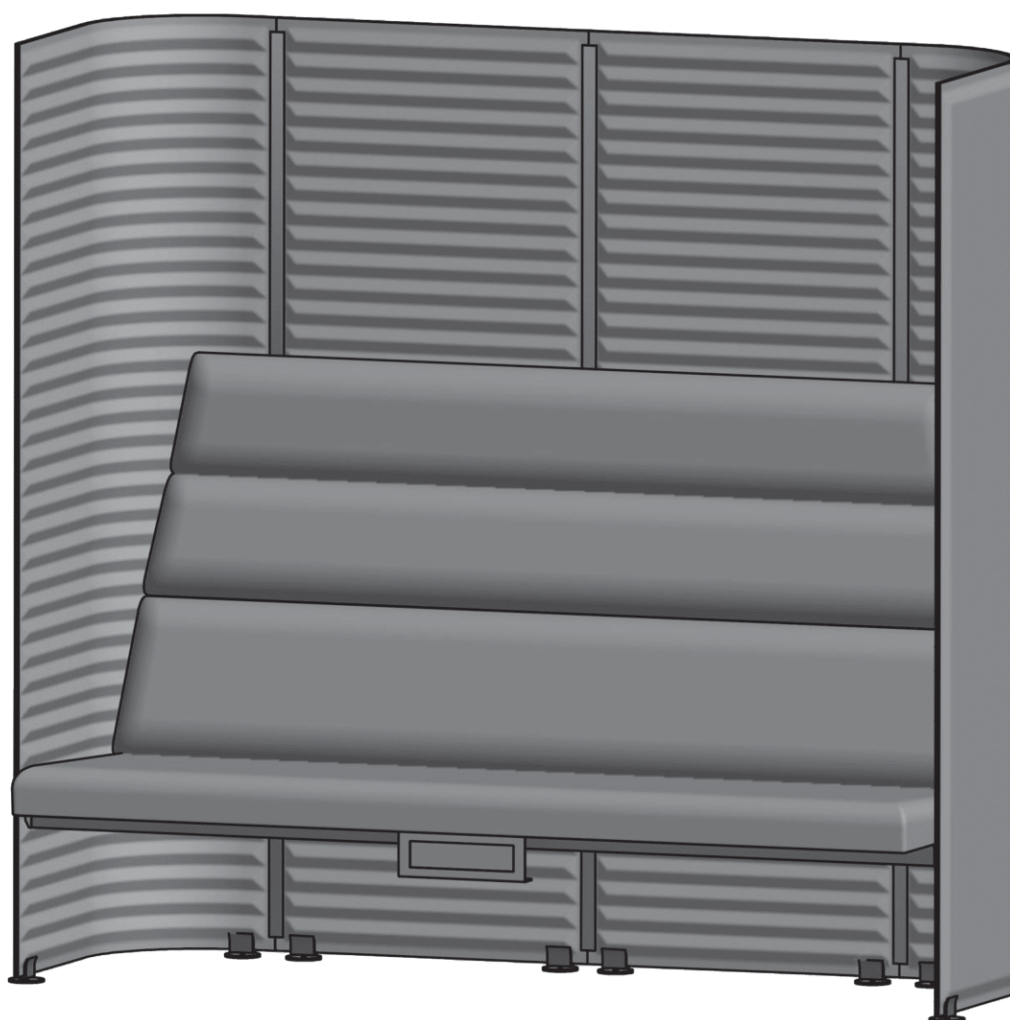
Soundroom

Triple High Seating

SR/THS

design:
Tomek Rygalik
2017

Noti.

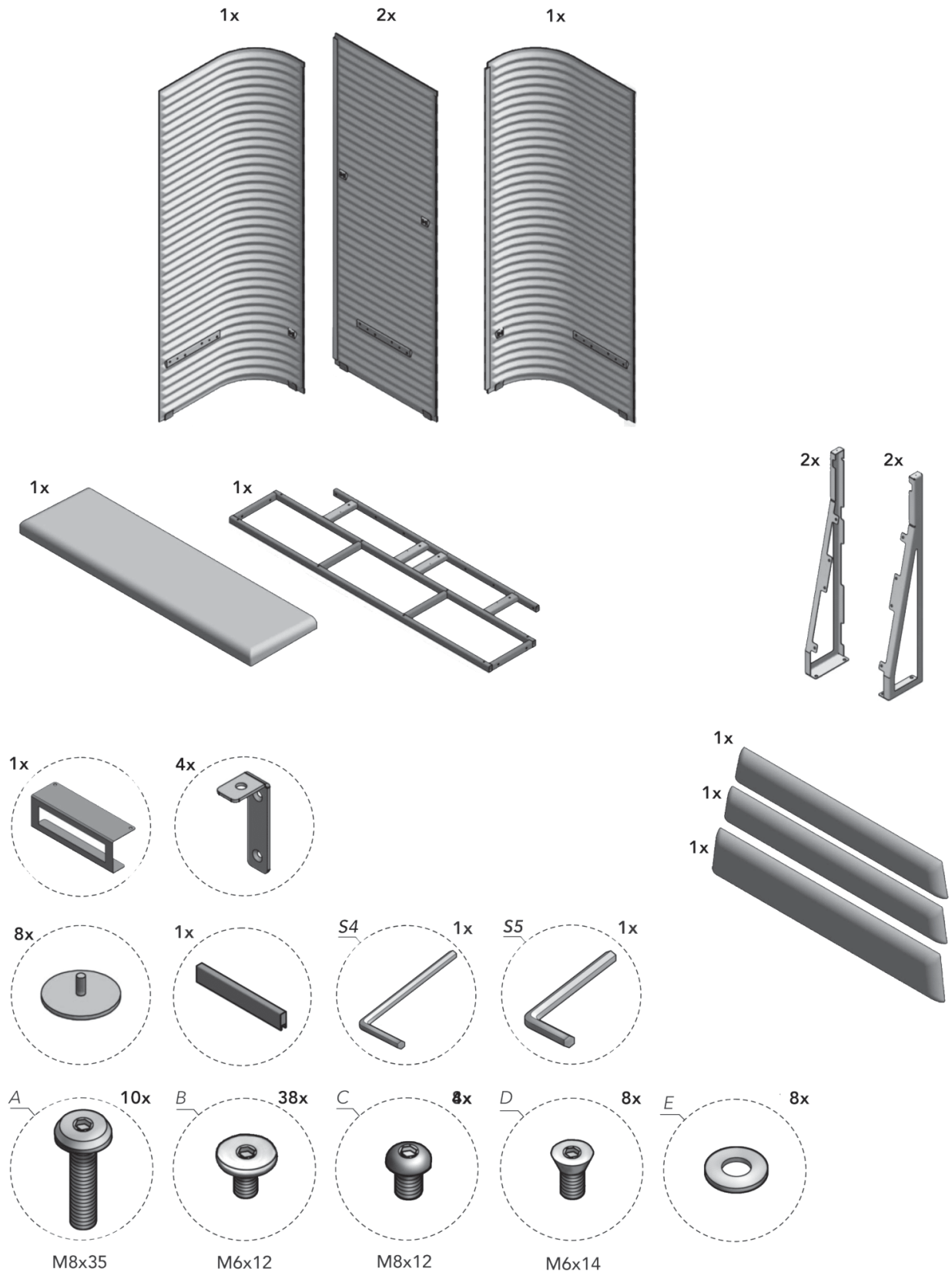


Soundroom Triple High Seating

design:
Tomek Rygalik
2017

Noti.

SR/THS



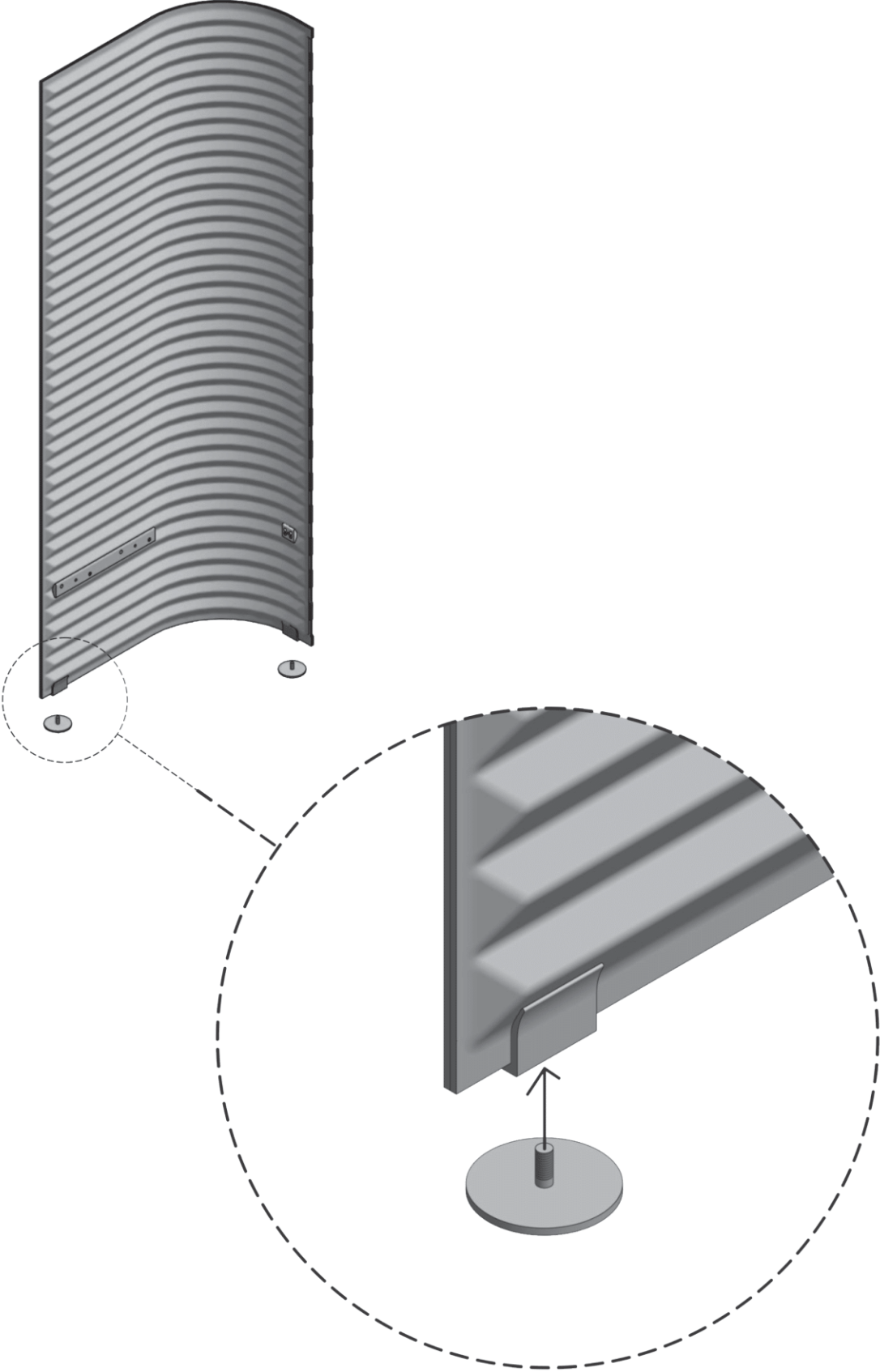
Soundroom

Triple High Seating

design:
Tomek Rygalik
2017

Noti.

SR/THS



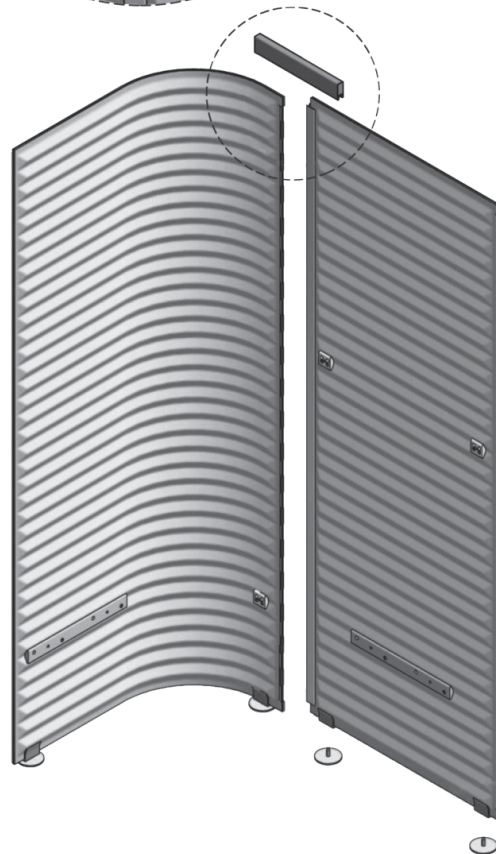
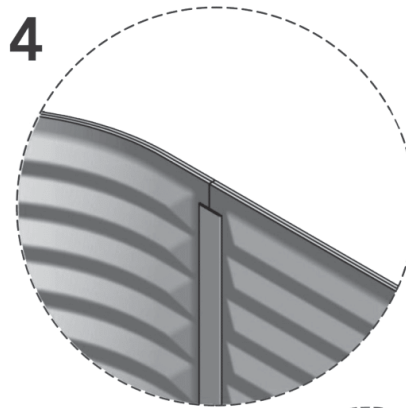
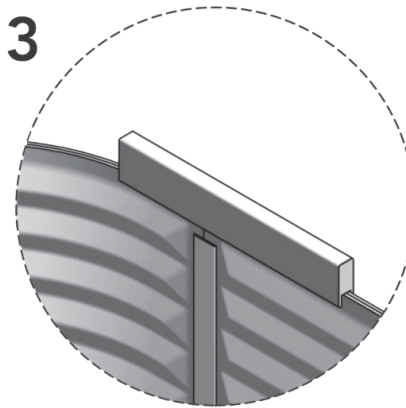
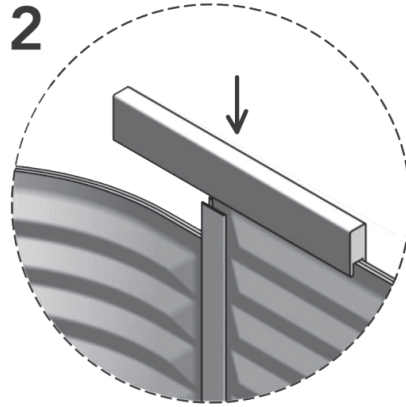
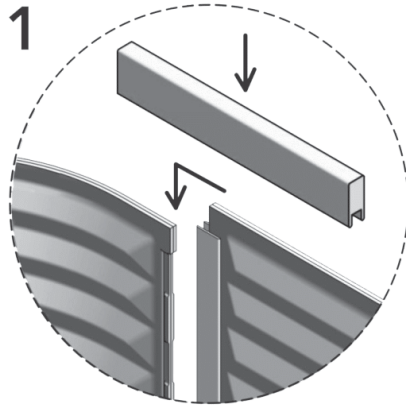
Soundroom

Triple High Seating

design:
Tomek Rygalik
2017

Noti.

SR/THS

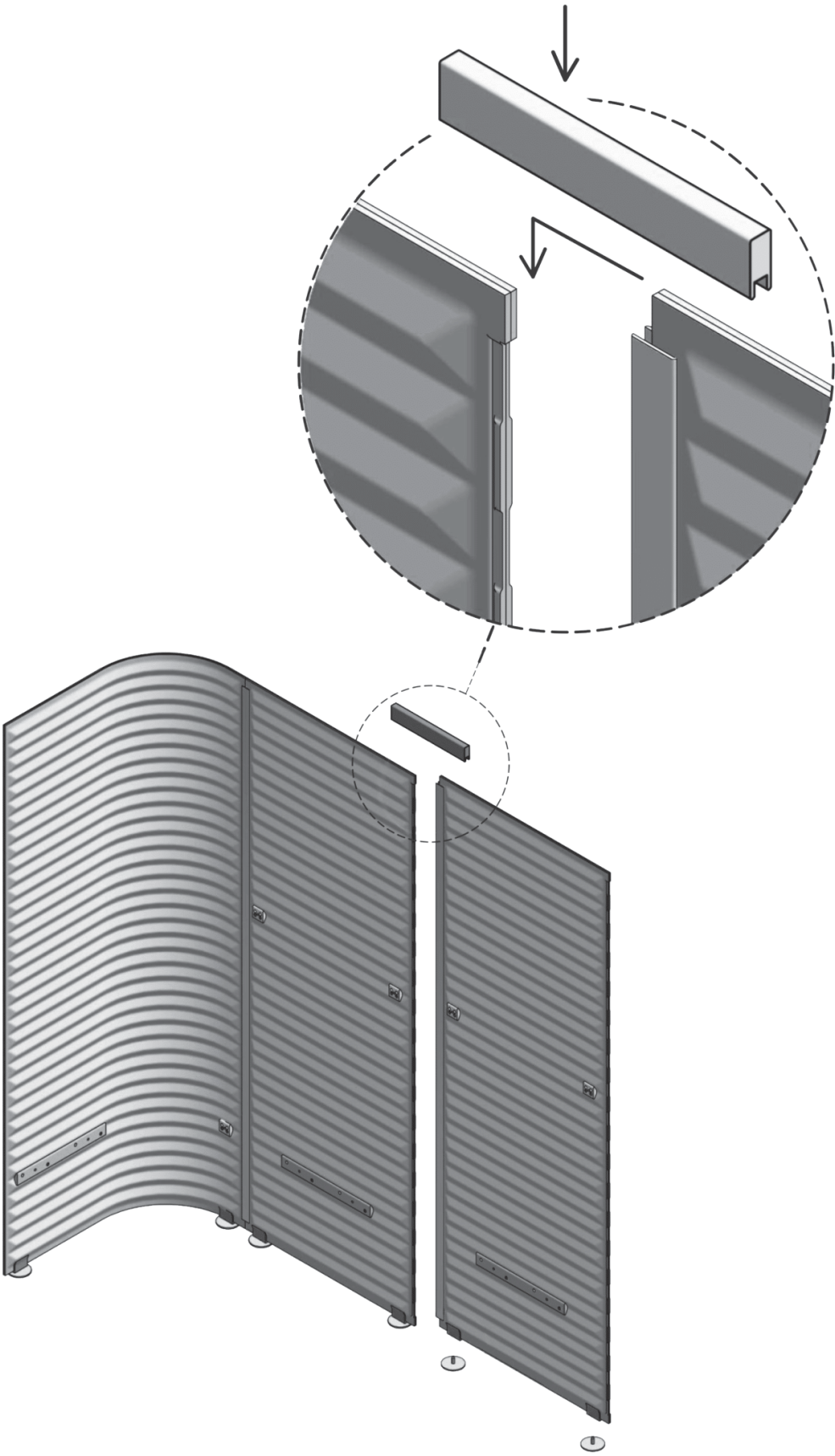


Soundroom Triple High Seating

SR/THS

design:
Tomek Rygalik
2017

Noti.

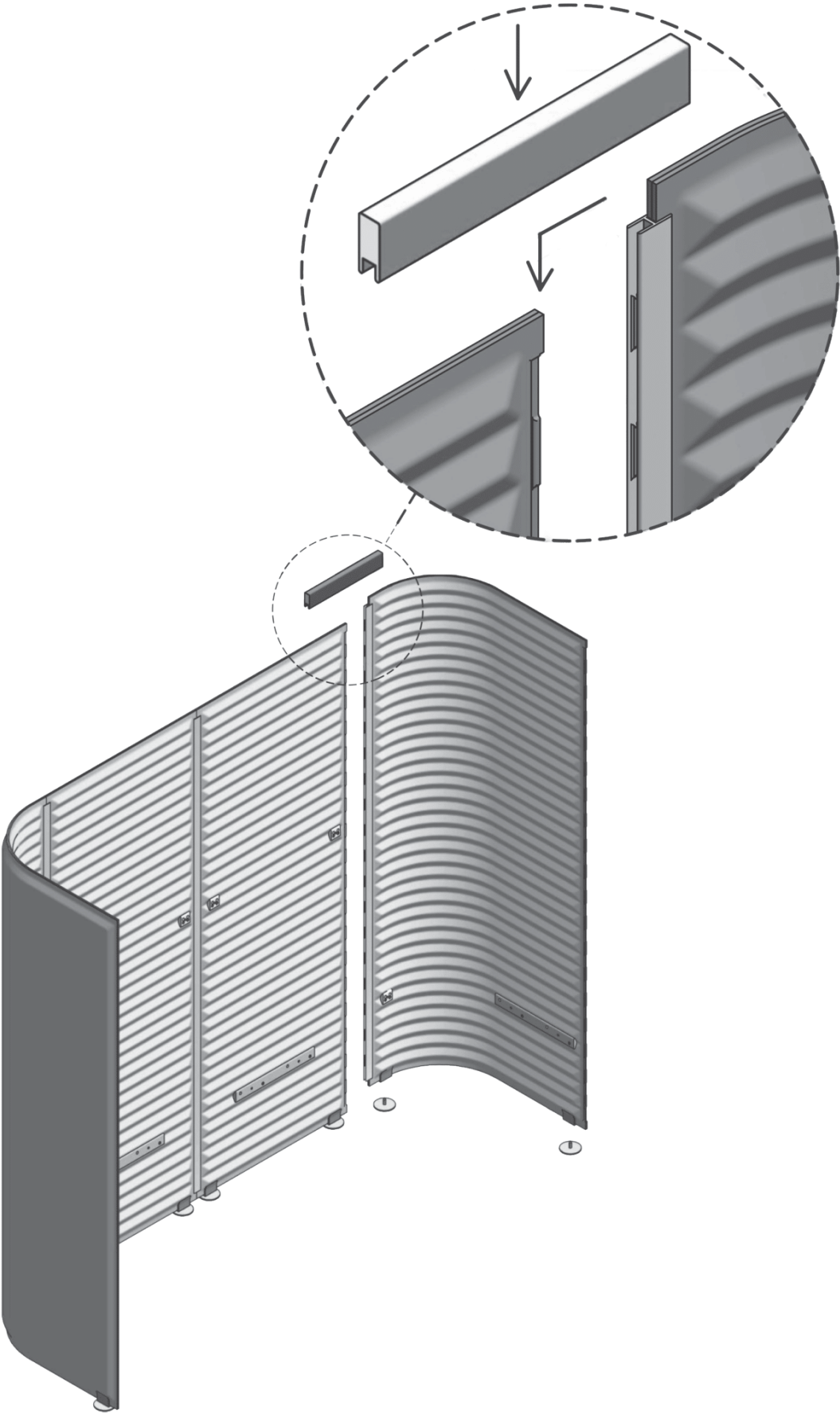


Soundroom Triple High Seating

SR/THS

design:
Tomek Rygalik
2017

Noti.

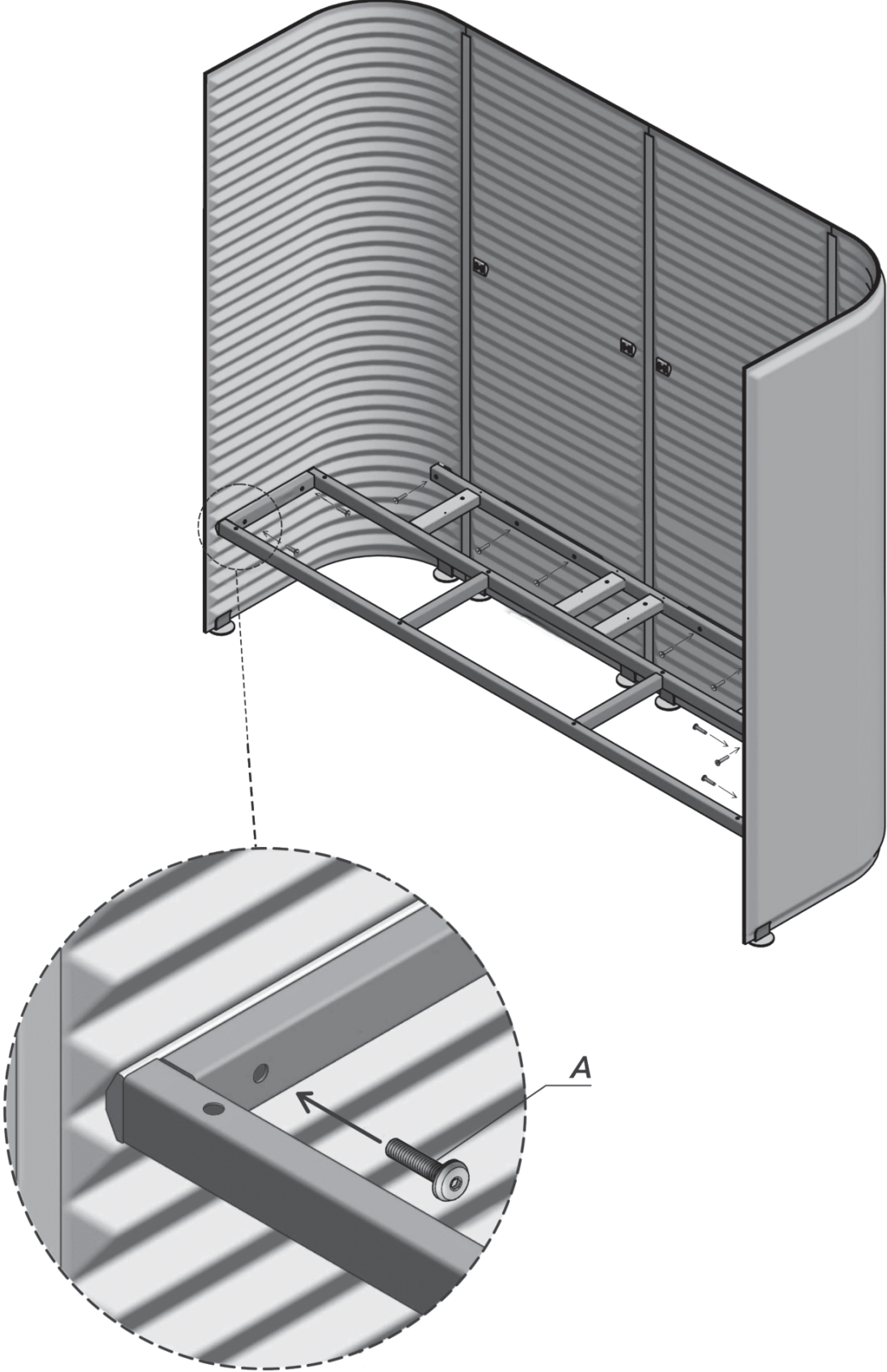


Soundroom Triple High Seating

SR/THS

design:
Tomek Rygalik
2017

Noti.

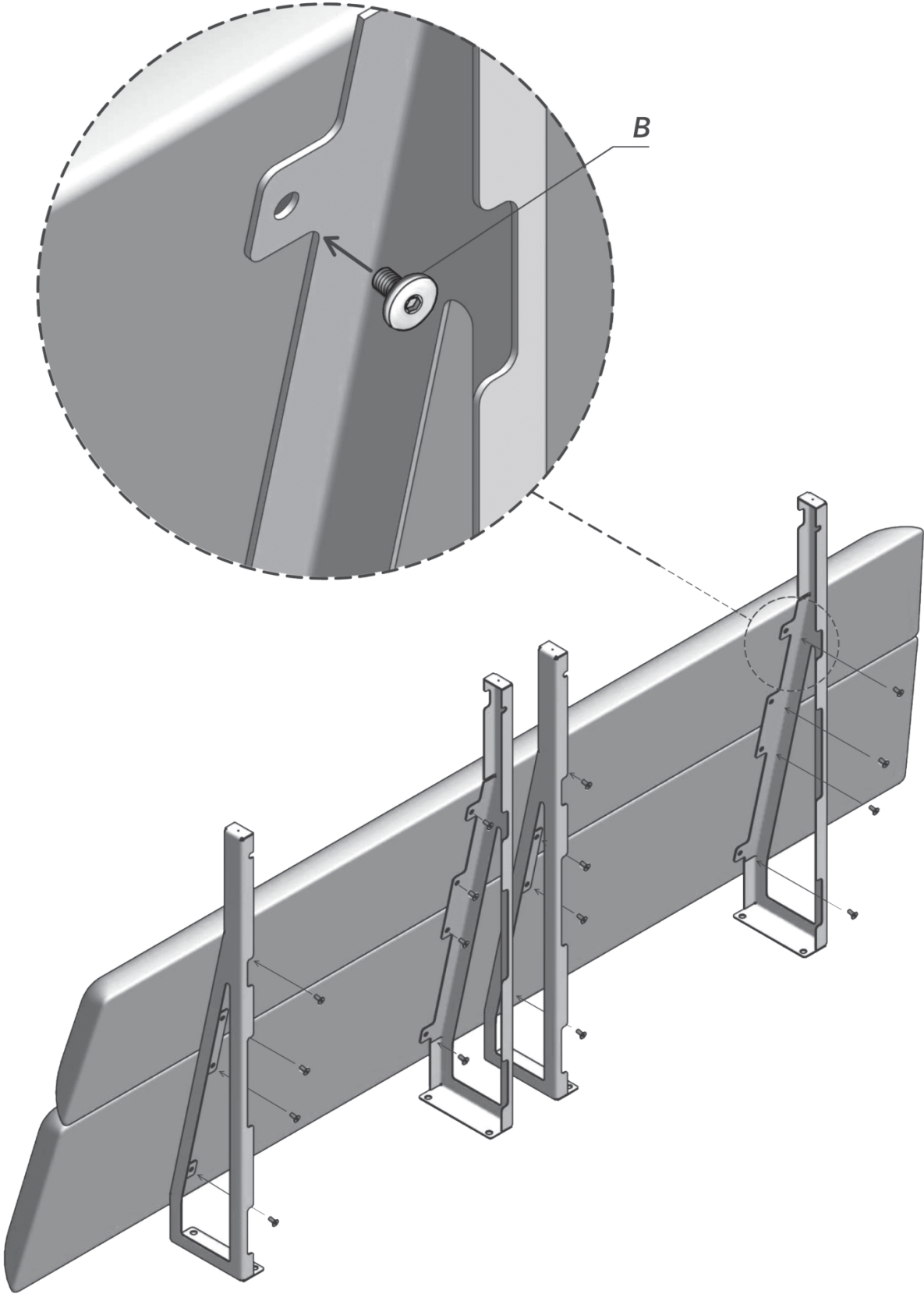


Soundroom Triple High Seating

design:
Tomek Rygalik
2017

Noti.

SR/THS



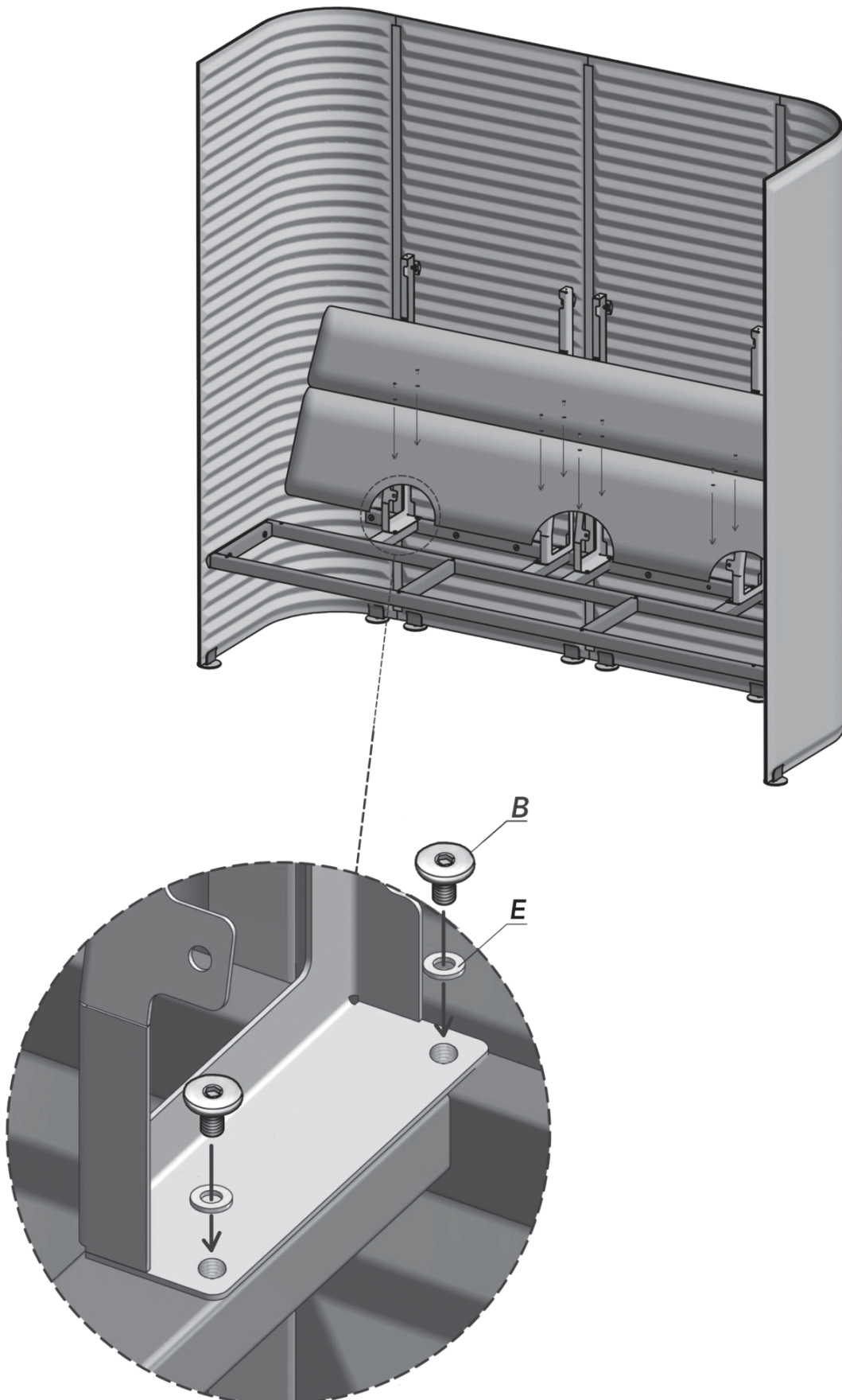
Soundroom

Triple High Seating

SR/THS

design:
Tomek Rygalik
2017

Noti.

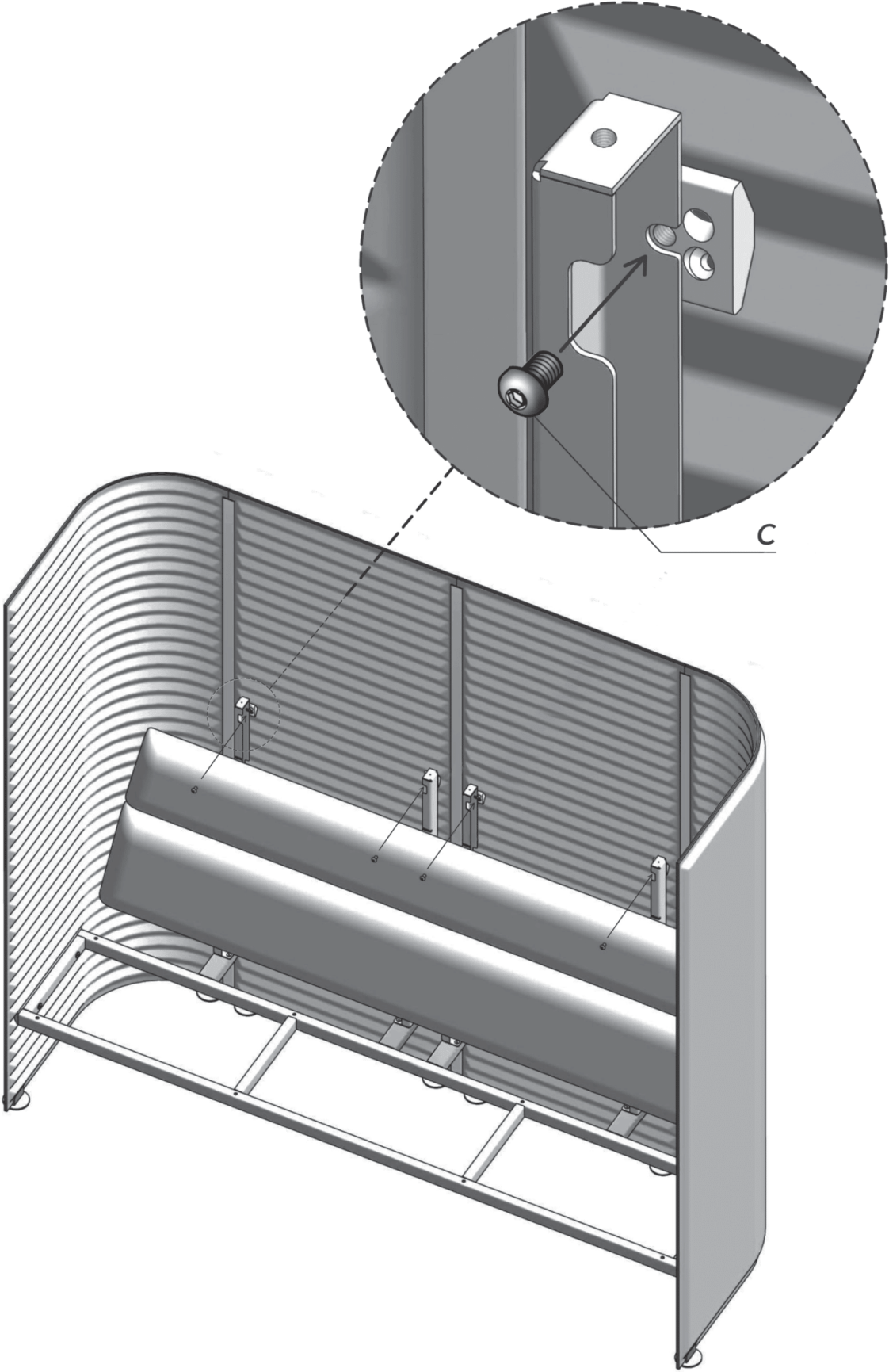


Soundroom Triple High Seating

SR/THS

design:
Tomek Rygalik
2017

Noti.

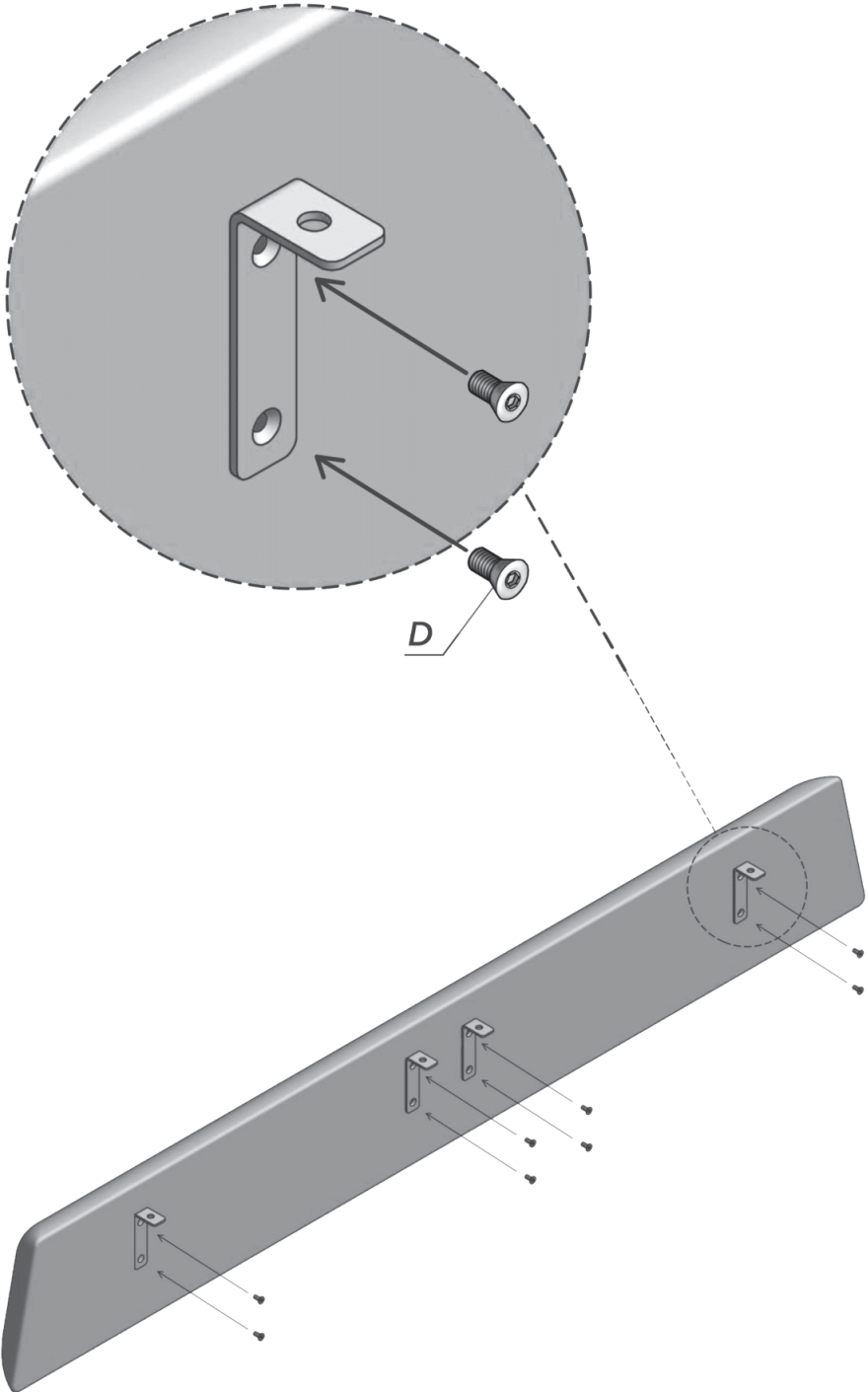


Soundroom Triple High Seating

SR/THS

design:
Tomek Rygalik
2017

Noti.



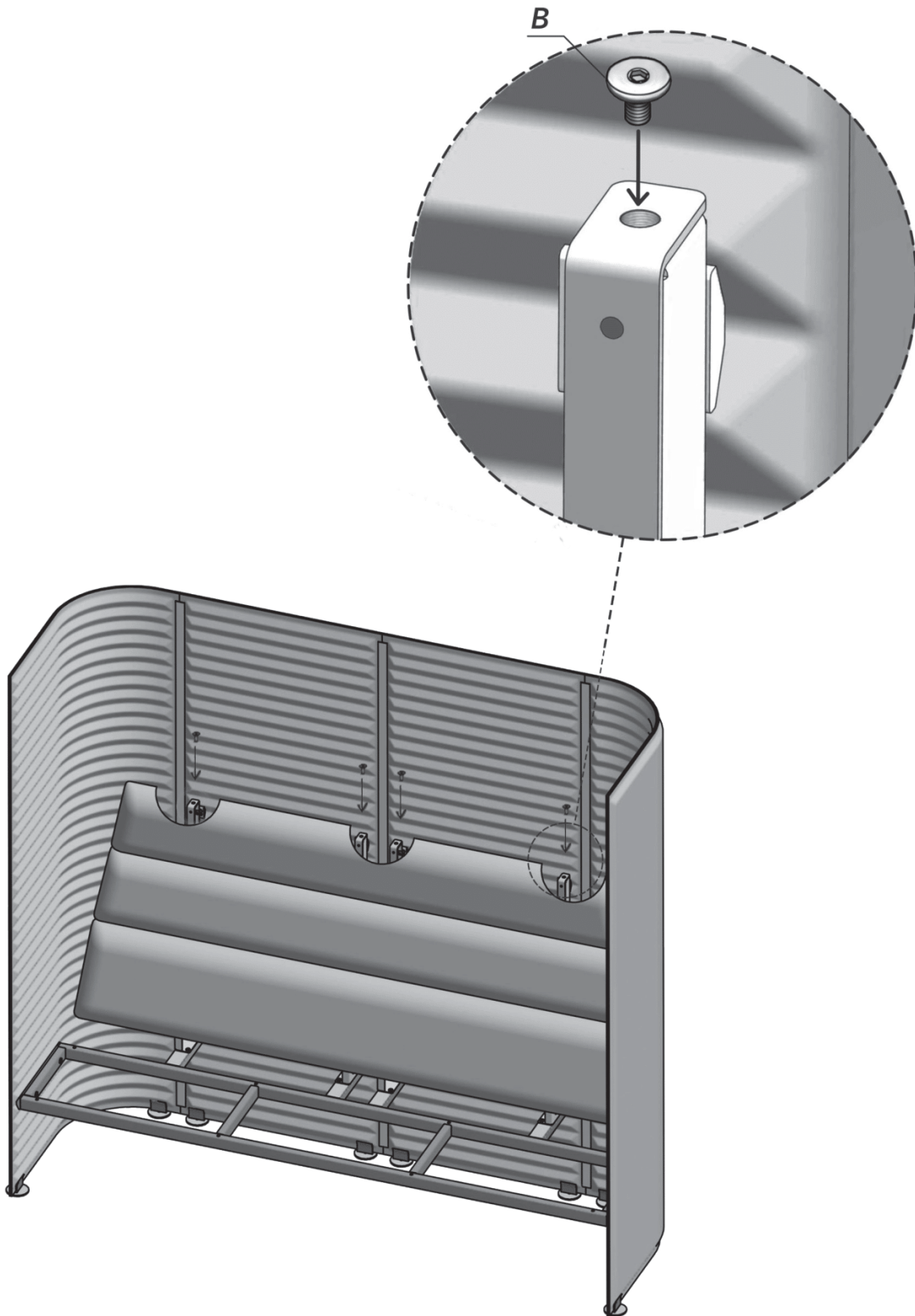
Soundroom

Triple High Seating

SR/THS

design:
Tomek Rygalik
2017

Noti.



Soundroom Triple High Seating

SR/THS

design:
Tomek Rygalik
2017

Noti.

