

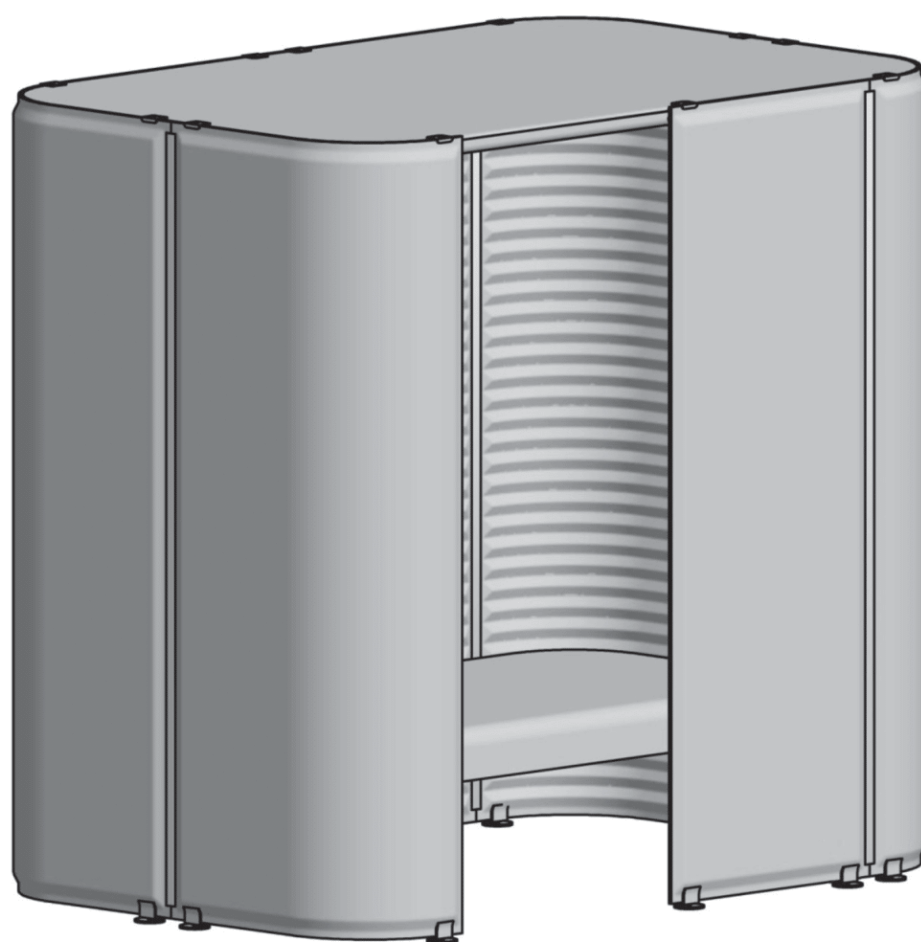
Soundroom

Sleeping Room

SR/SR

design:
Tomek Rygalik
2017

Noti.

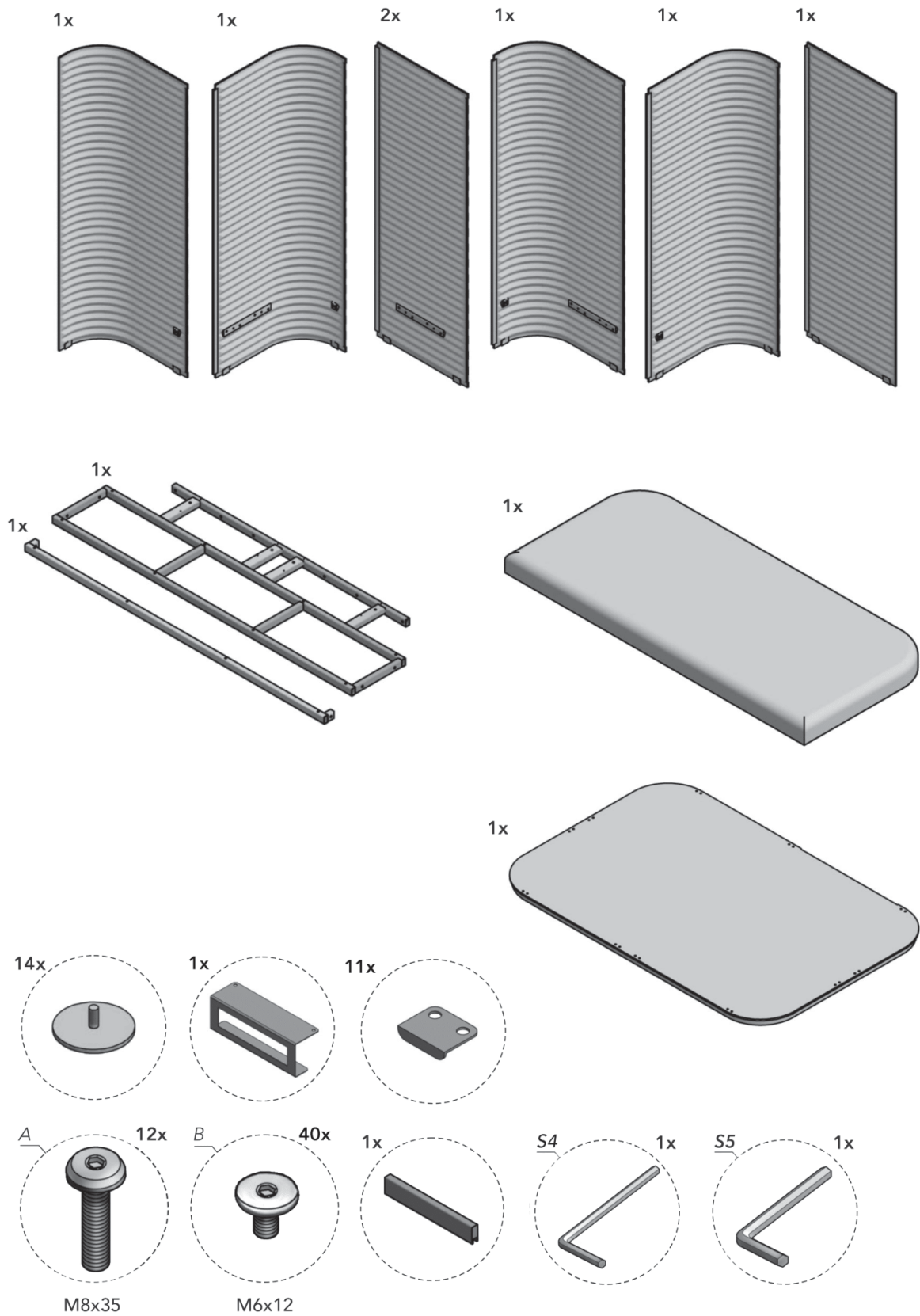


Soundroom Sleeping Room

design:
Tomek Rygalik
2017

Noti.

SR/SR

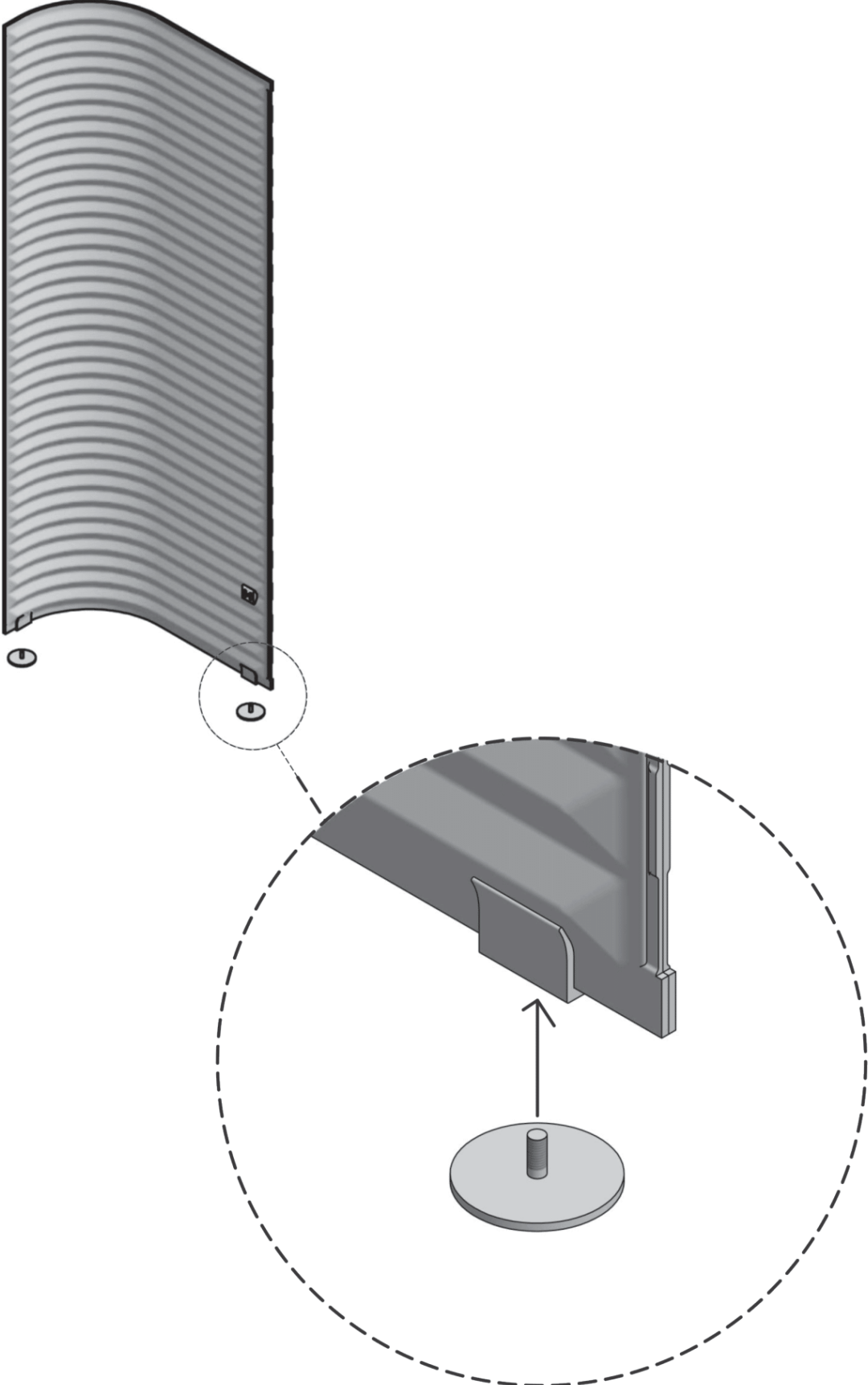


Soundroom Sleeping Room

design:
Tomek Rygalik
2017

Noti.

SR/SR



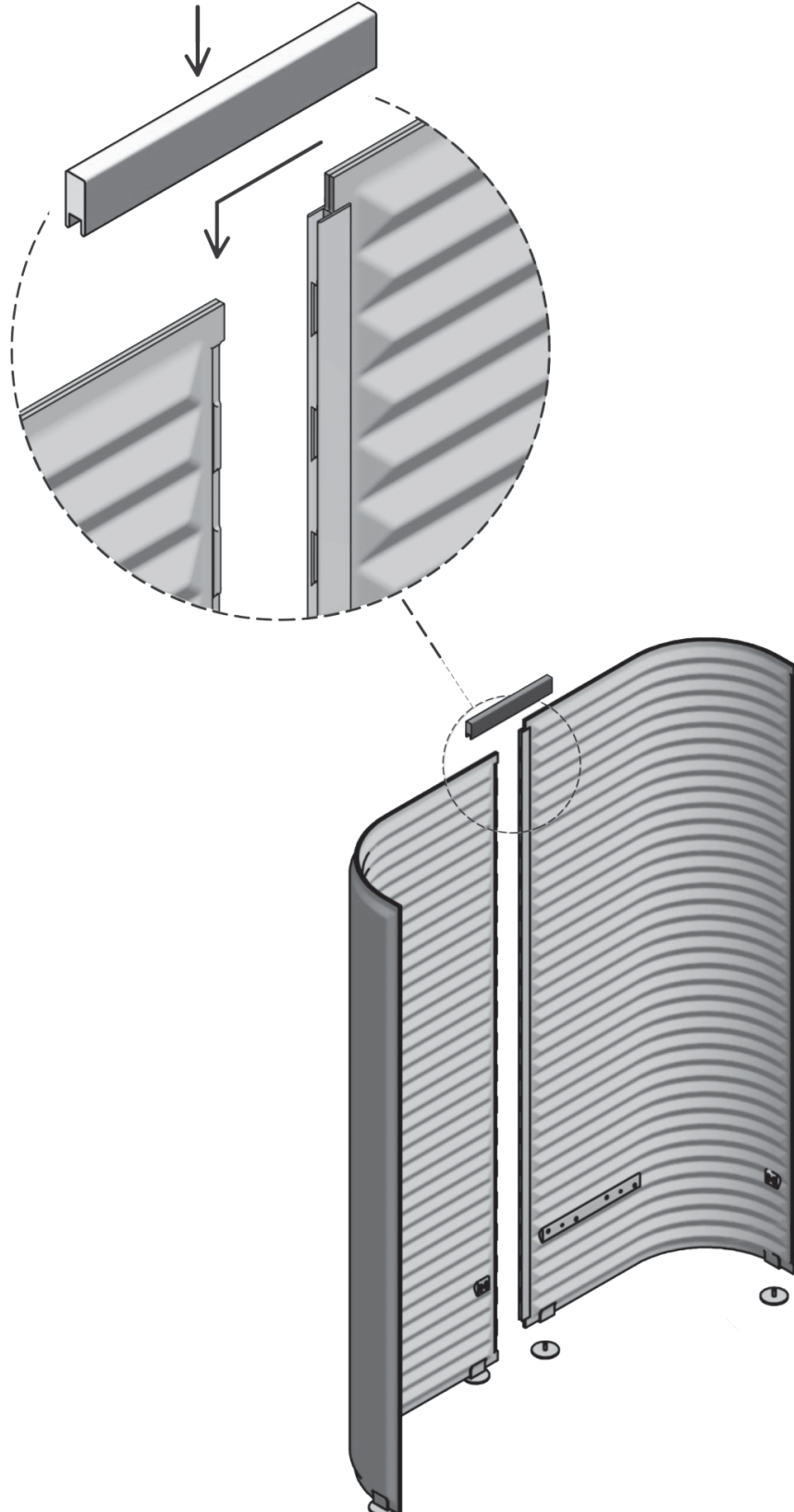
Soundroom

Sleeping Room

design:
Tomek Rygalik
2017

Noti.

SR/SR

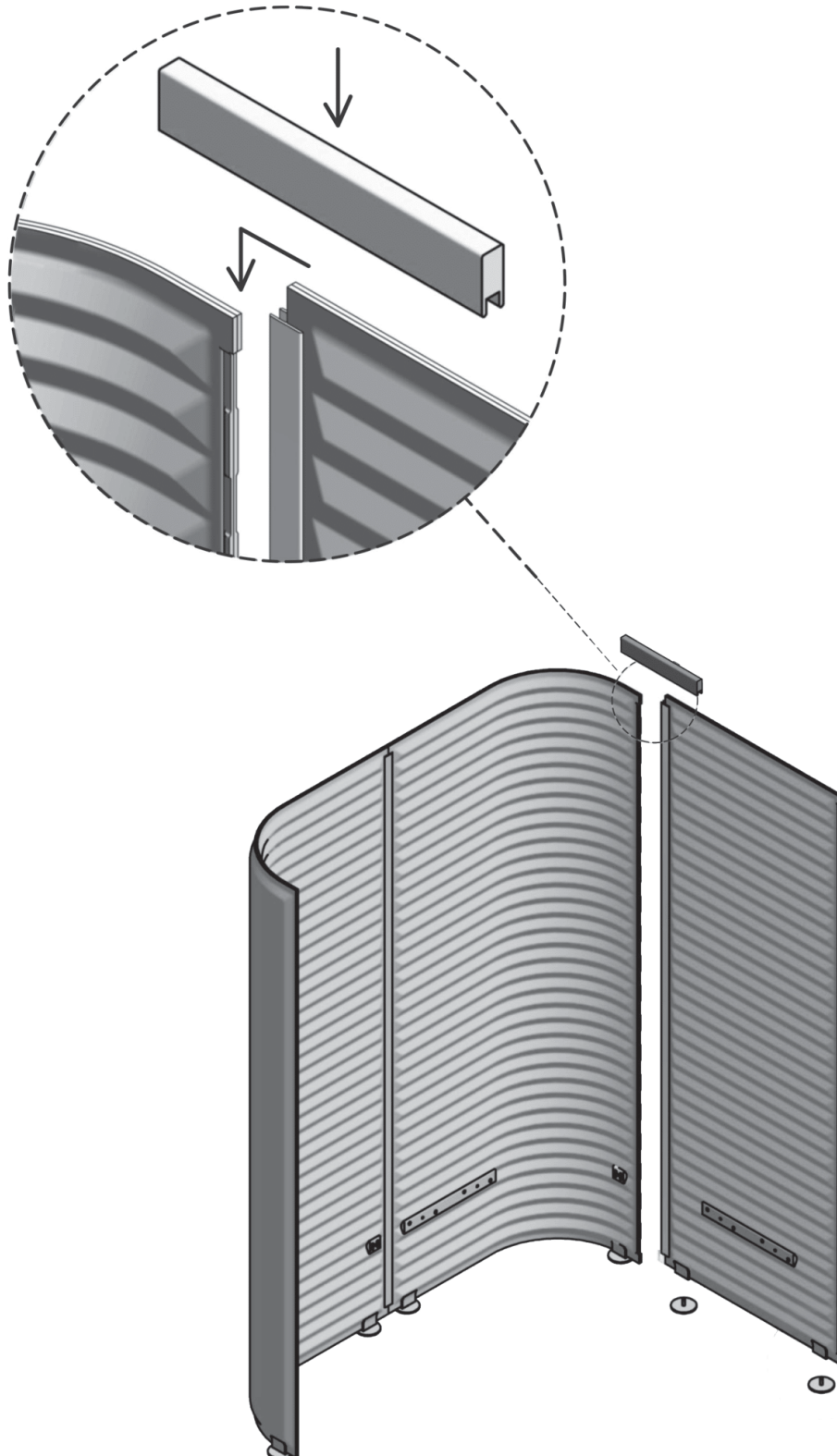


Soundroom Sleeping Room

SR/SR

design:
Tomek Rygalik
2017

Noti.

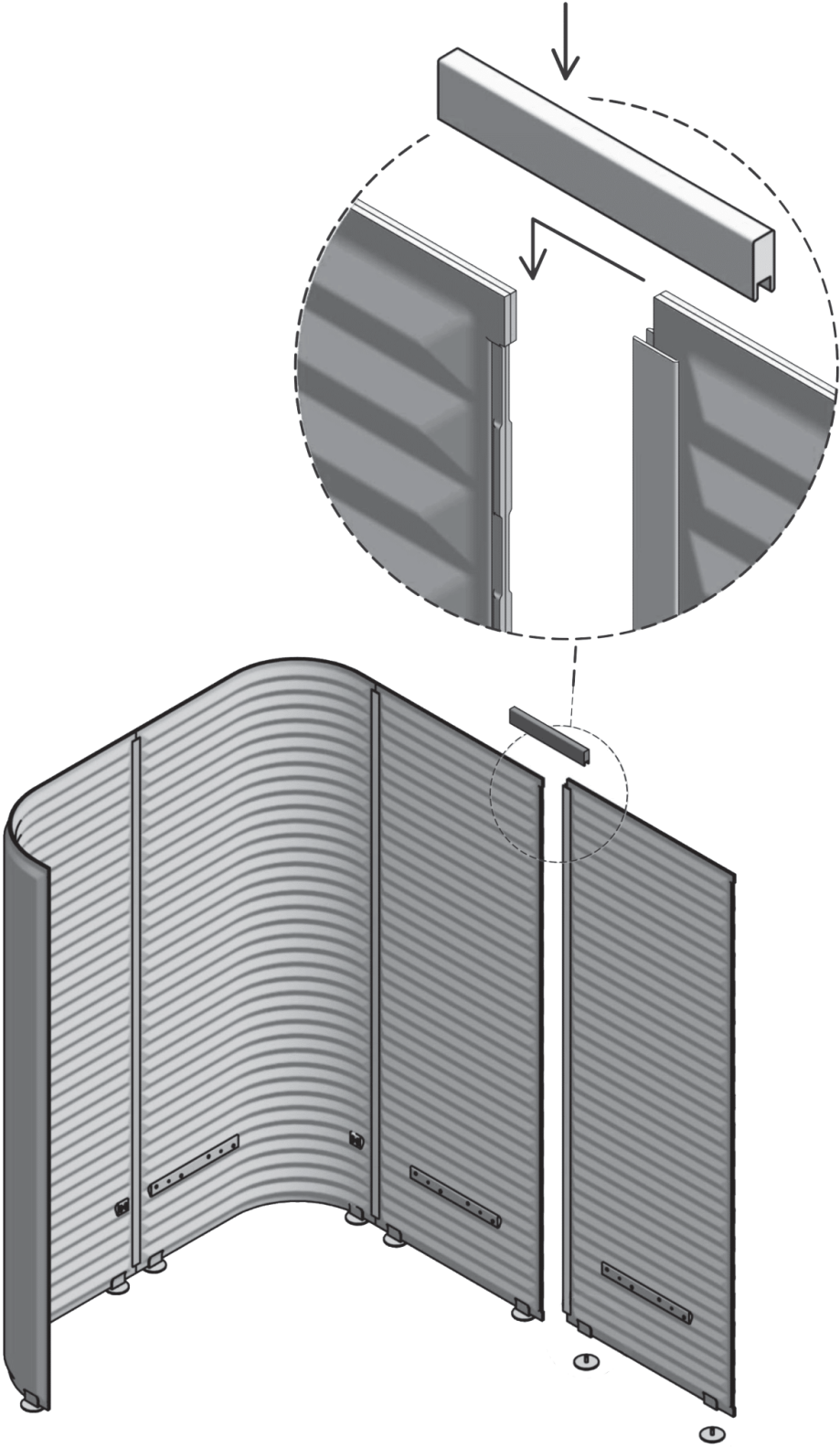


Soundroom Sleeping Room

SR/SR

design:
Tomek Rygalik
2017

Noti.

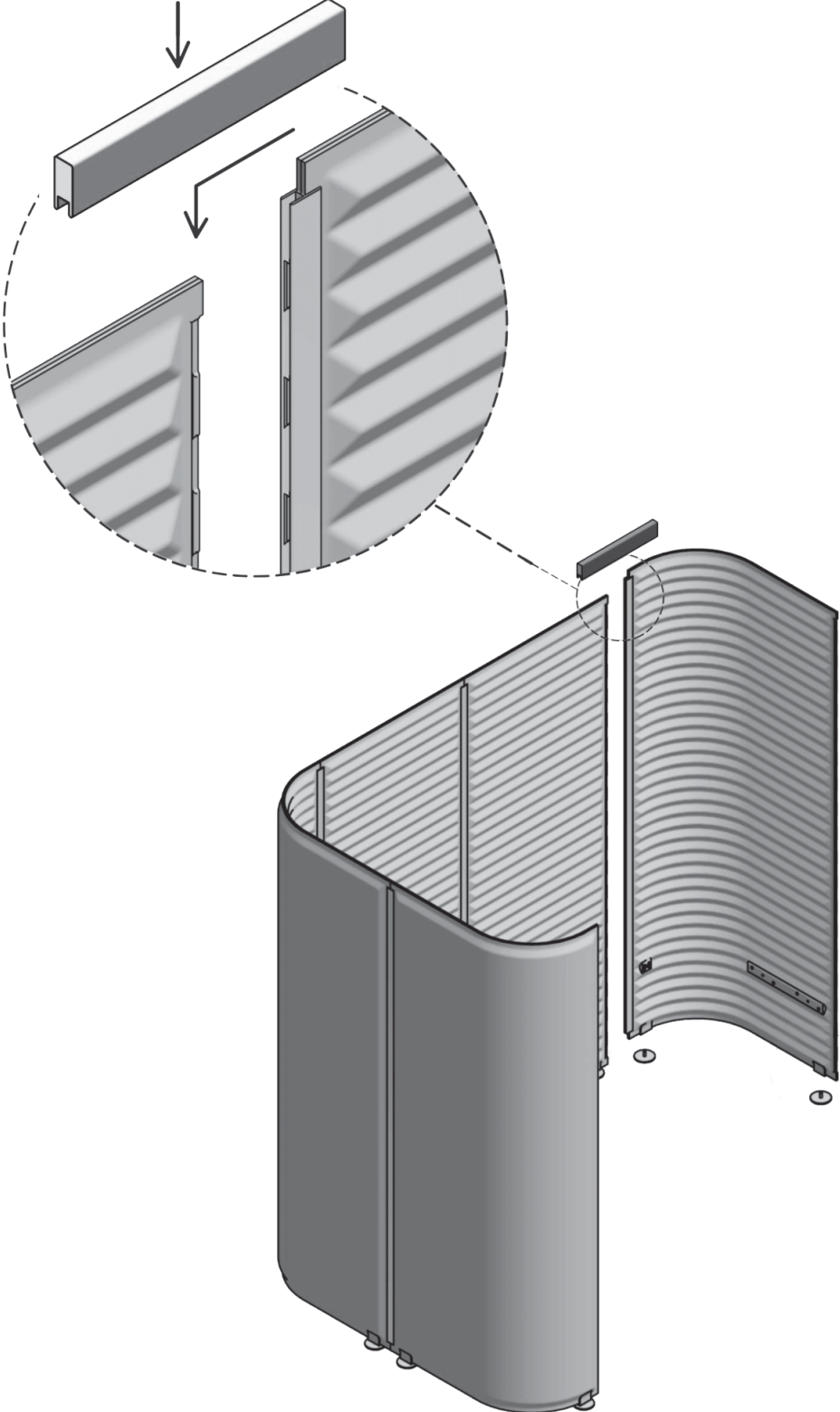


Soundroom Sleeping Room

design:
Tomek Rygalik
2017

Noti.

SR/SR

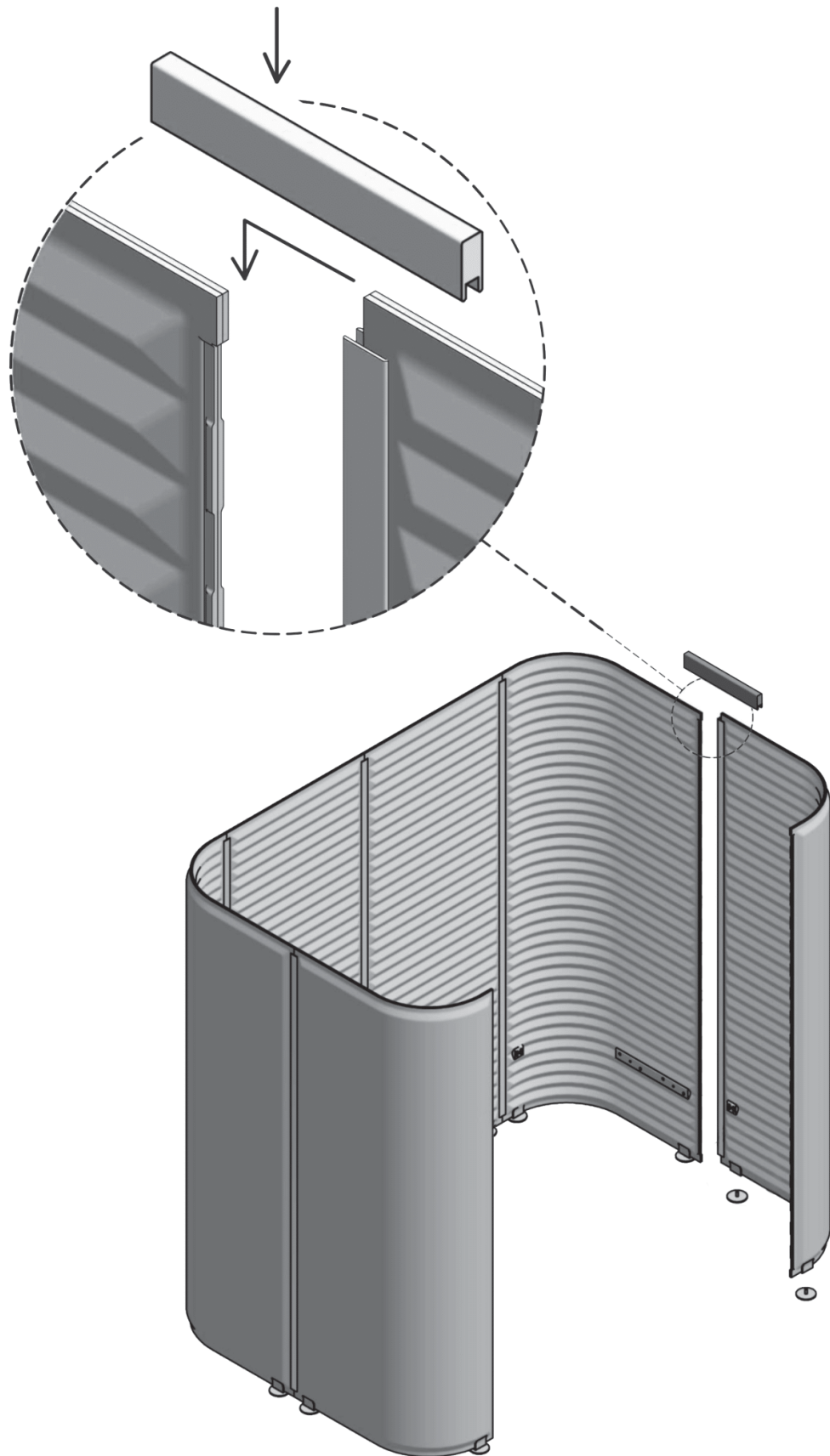


Soundroom Sleeping Room

SR/SR

design:
Tomek Rygalik
2017

Noti.

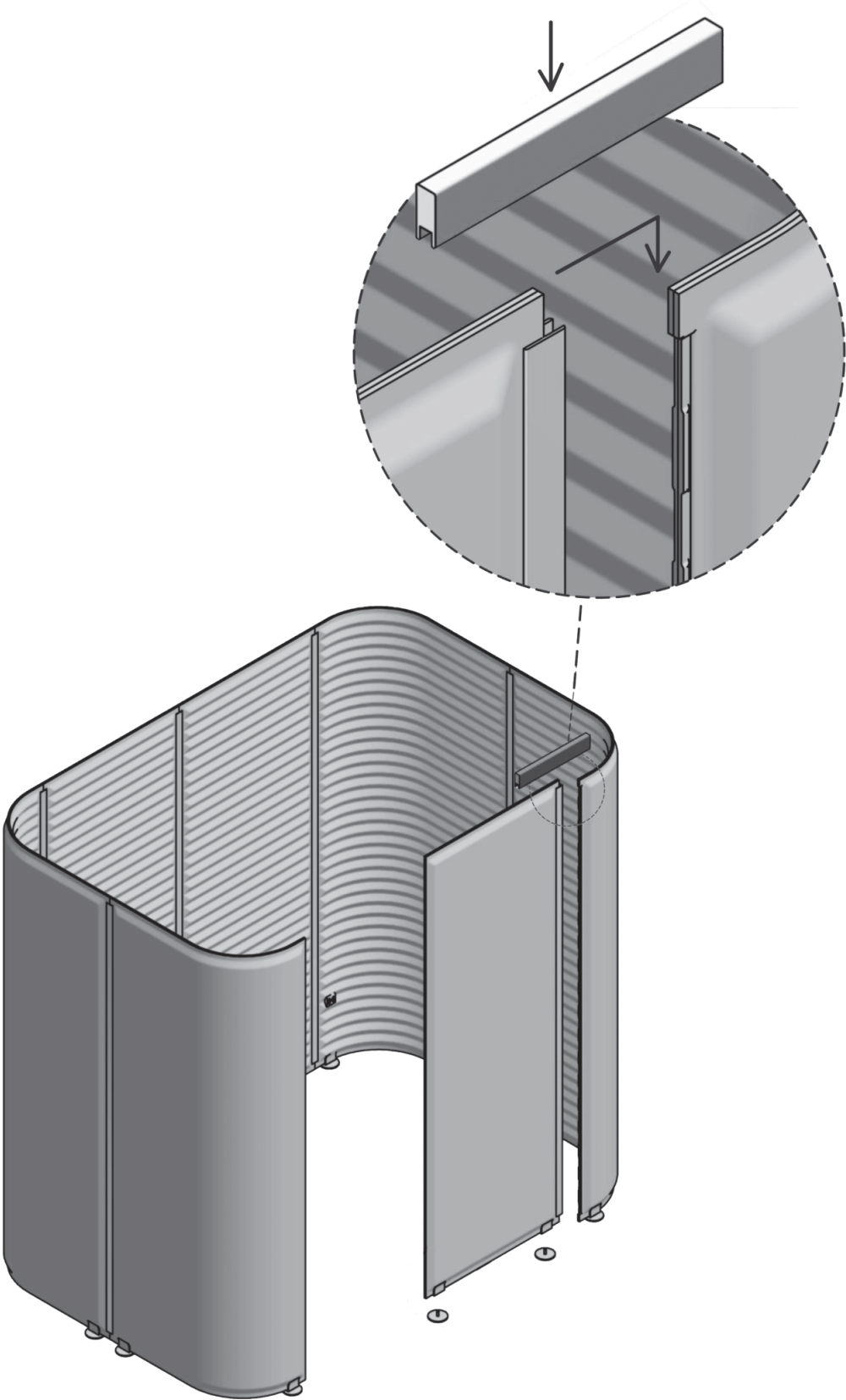


Soundroom Sleeping Room

SR/SR

design:
Tomek Rygalik
2017

Noti.

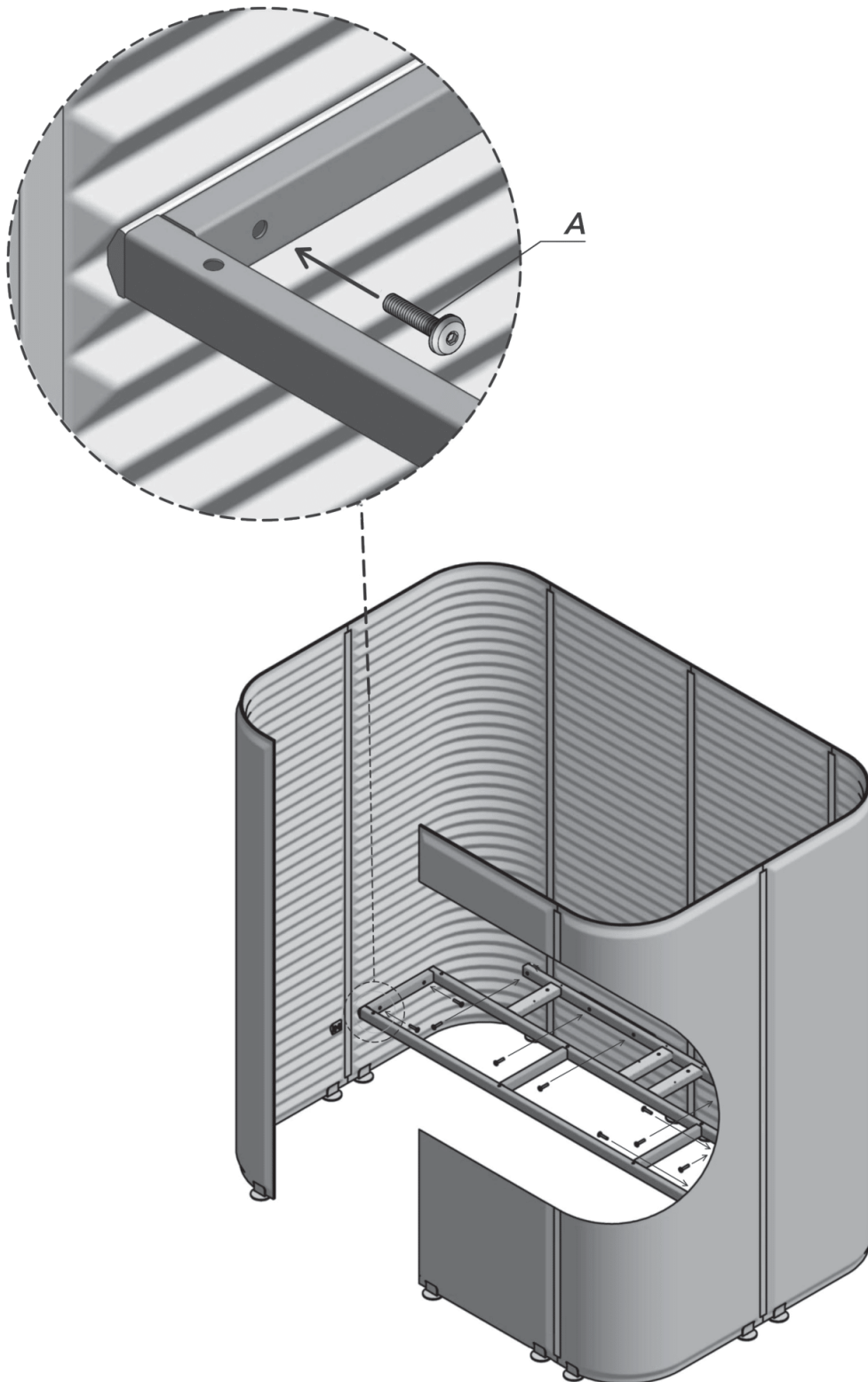


Soundroom Sleeping Room

SR/SR

design:
Tomek Rygalik
2017

Noti.

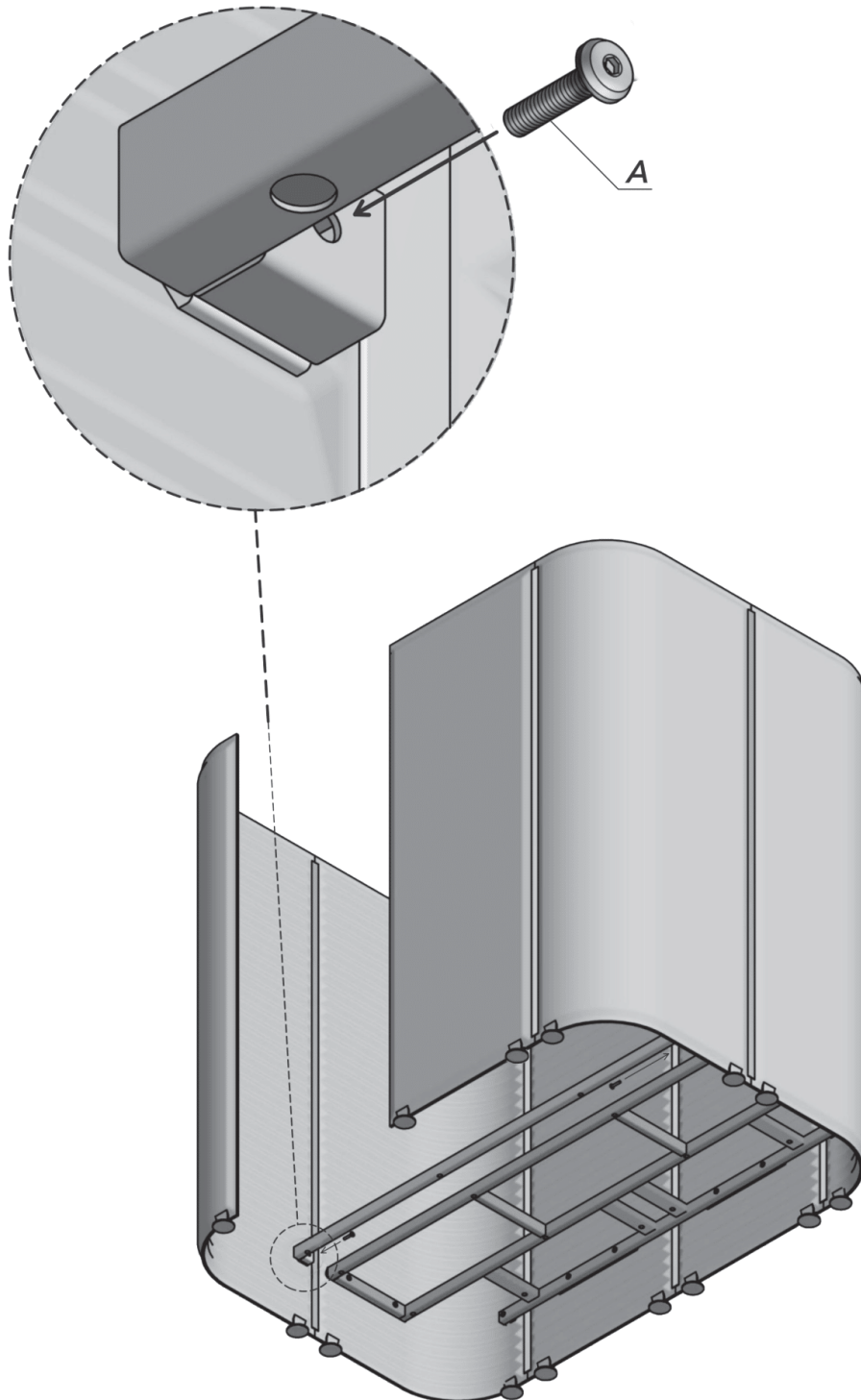


Soundroom Sleeping Room

design:
Tomek Rygalik
2017

Noti.

SR/SR

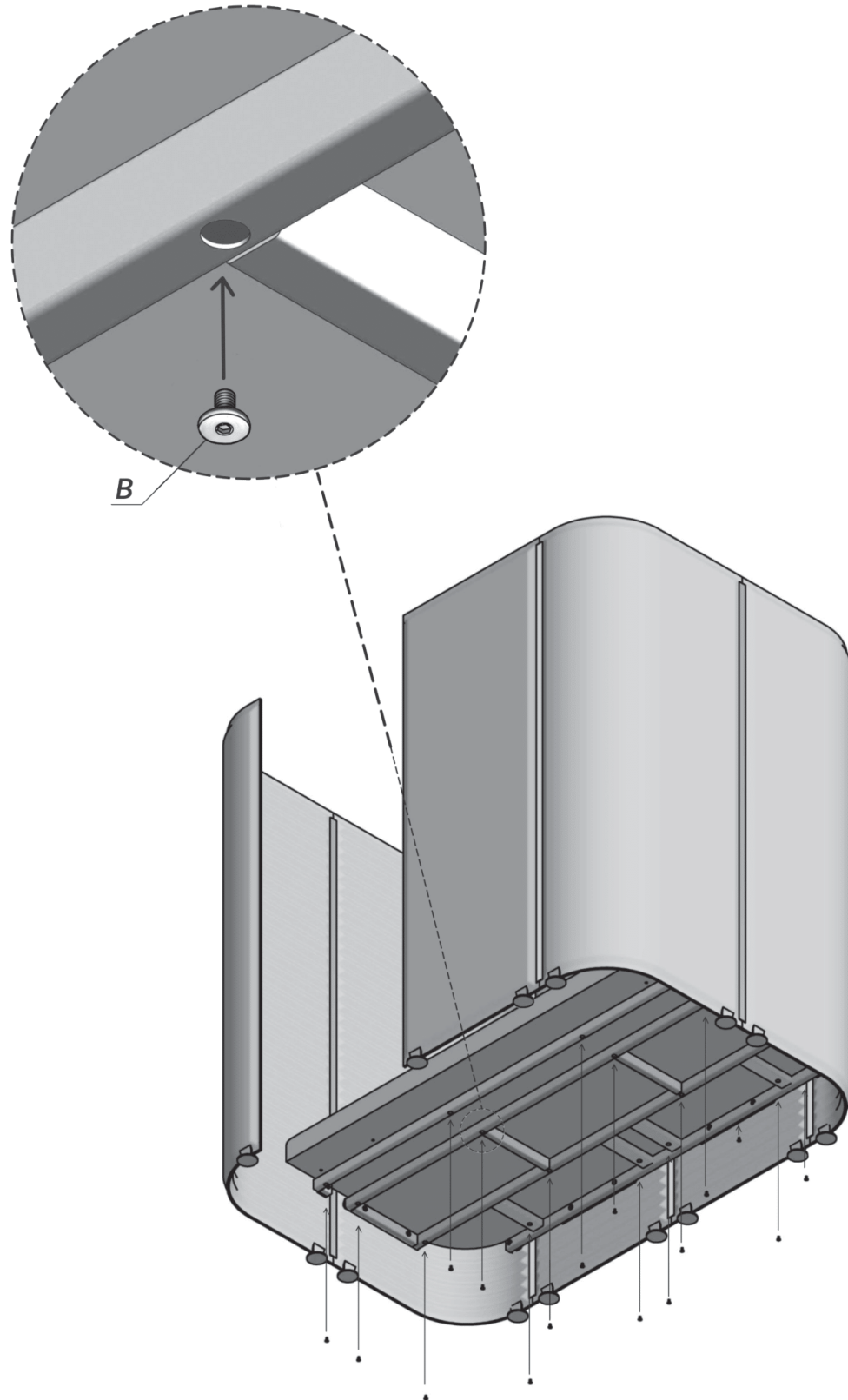


Soundroom Sleeping Room

SR/SR

design:
Tomek Rygalik
2017

Noti.



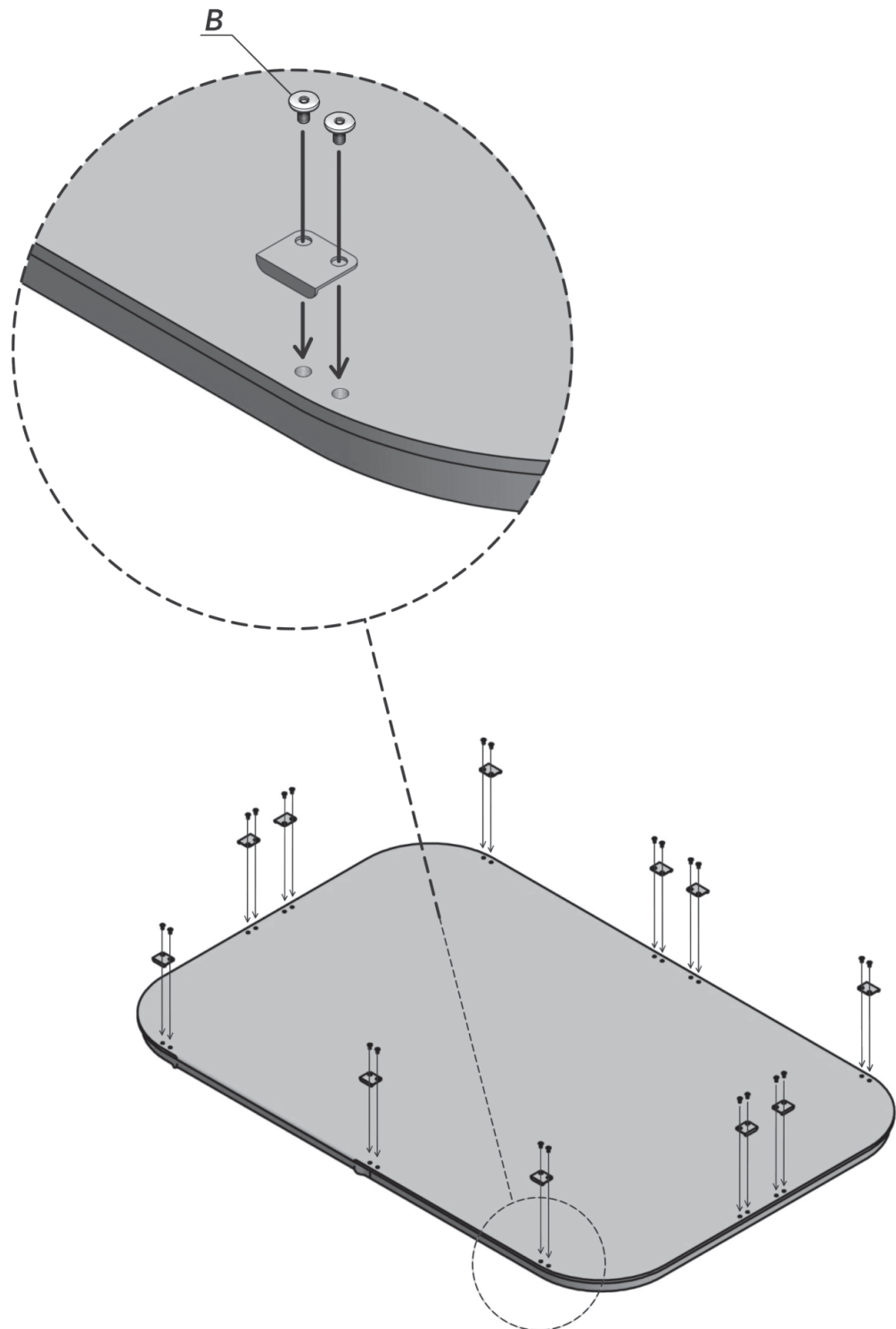
Soundroom

Sleeping Room

design:
Tomek Rygalik
2017

Noti.

SR/SR

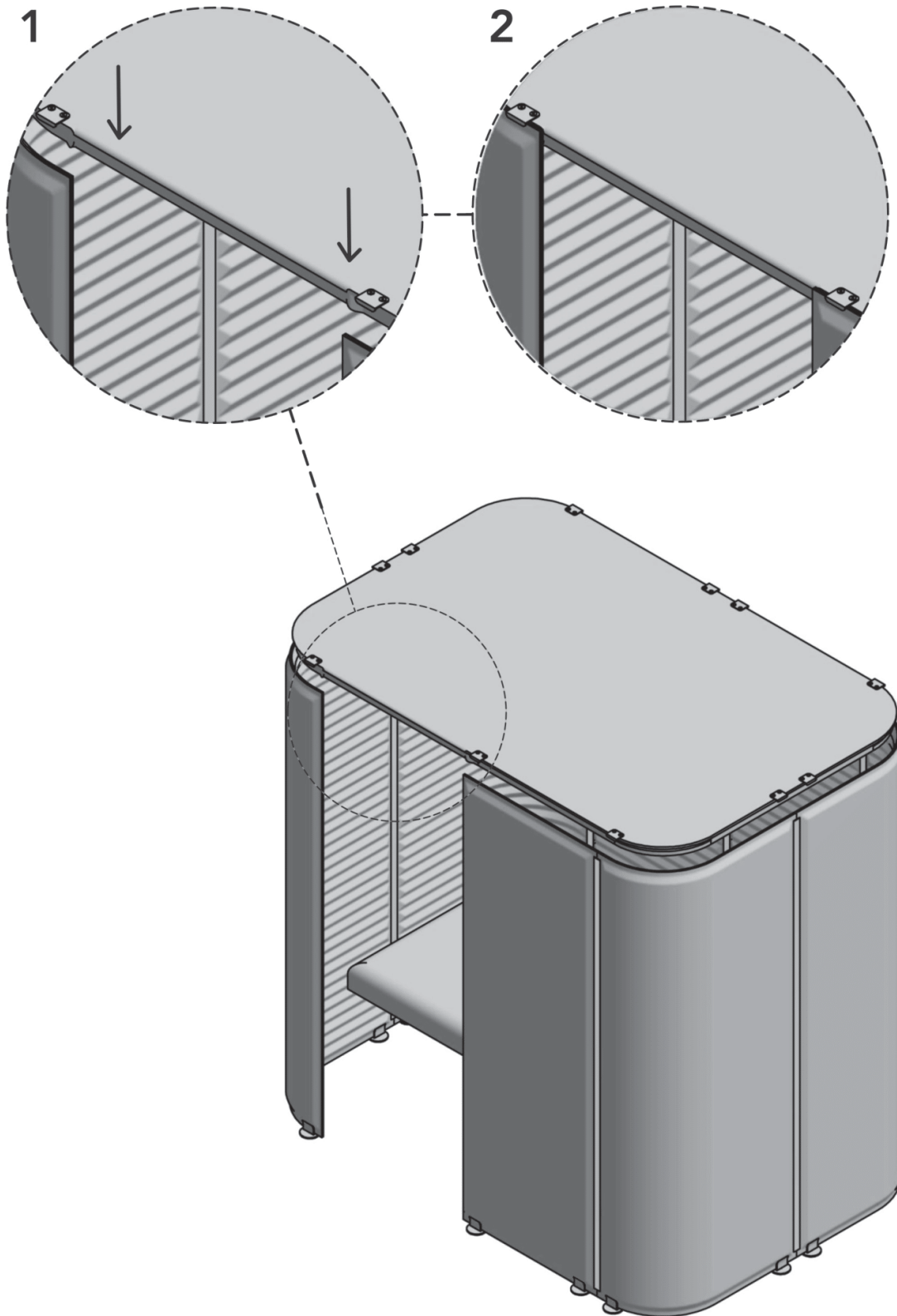


Soundroom Sleeping Room

design:
Tomek Rygalik
2017

Noti.

SR/SR



Soundroom Sleeping Room

SR/SR

design:
Tomek Rygalik
2017

Noti.

