

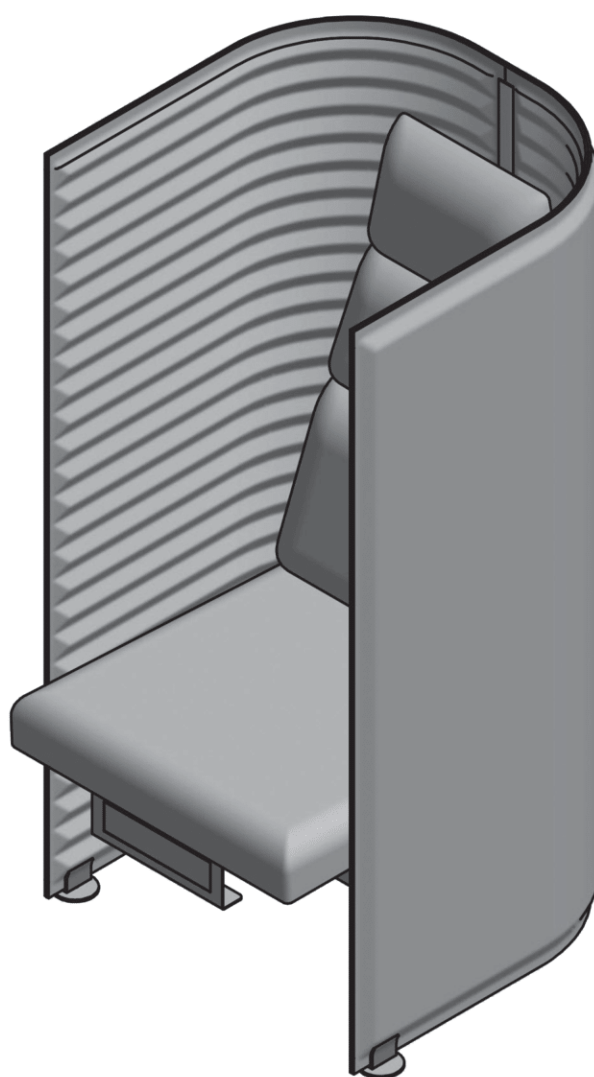
Soundroom

Single Low Seating

SR/SLS

design:
Tomek Rygalik
2017

Noti.



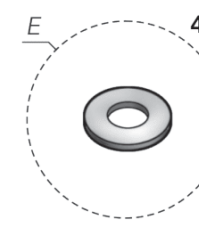
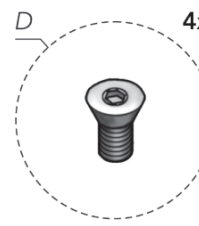
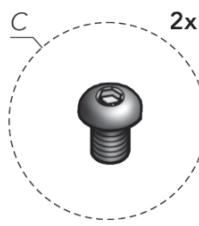
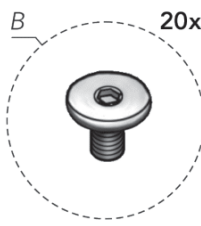
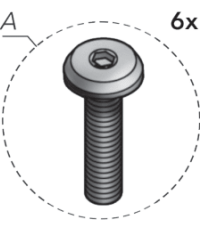
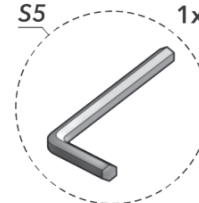
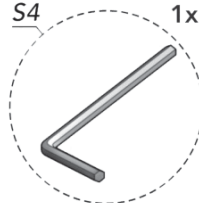
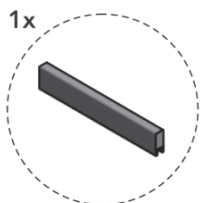
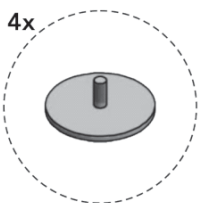
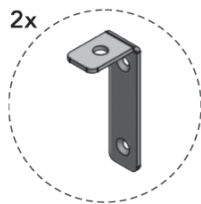
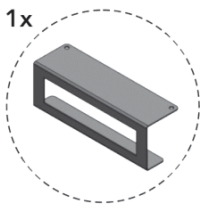
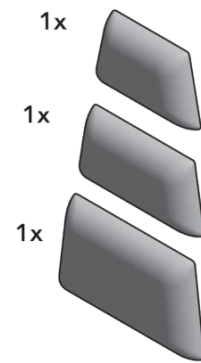
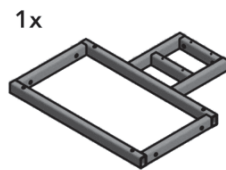
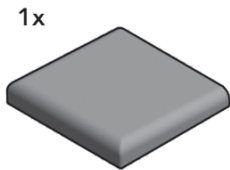
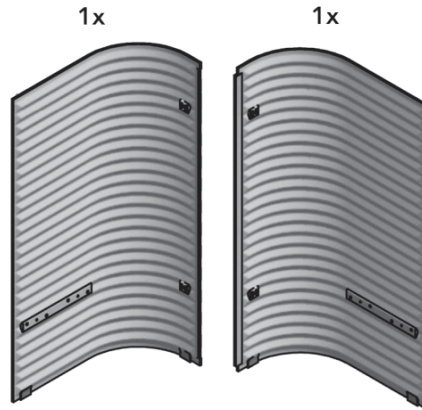
Soundroom

Single Low Seating

design:
Tomek Rygalik
2017

Noti.

SR/SLS



M8x35

M6x12

M8x12

M6x14

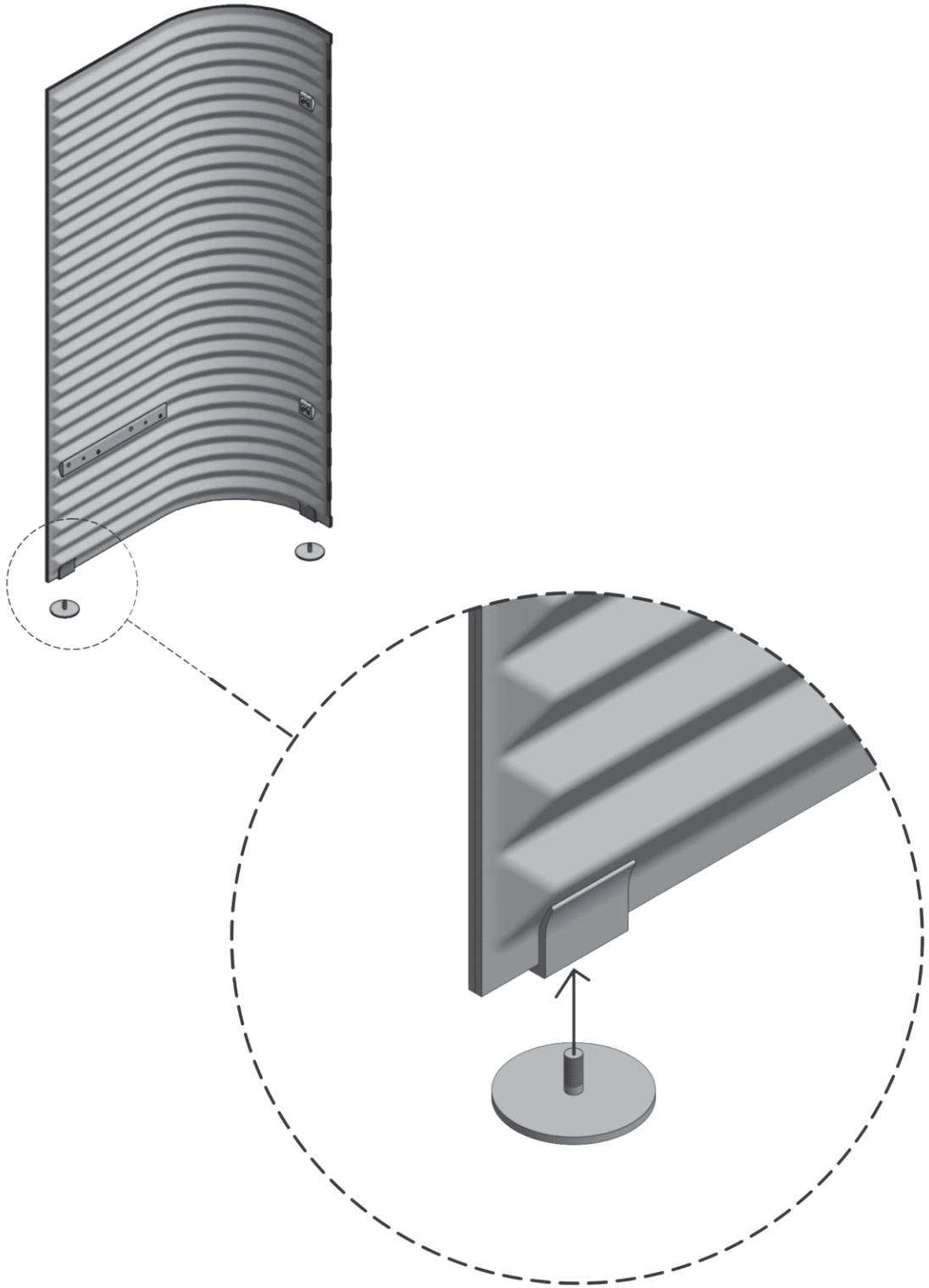
Soundroom

Single Low Seating

design:
Tomek Rygalik
2017

Noti.

SR/SLS



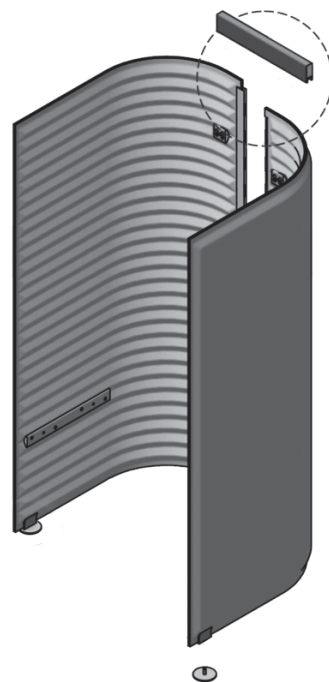
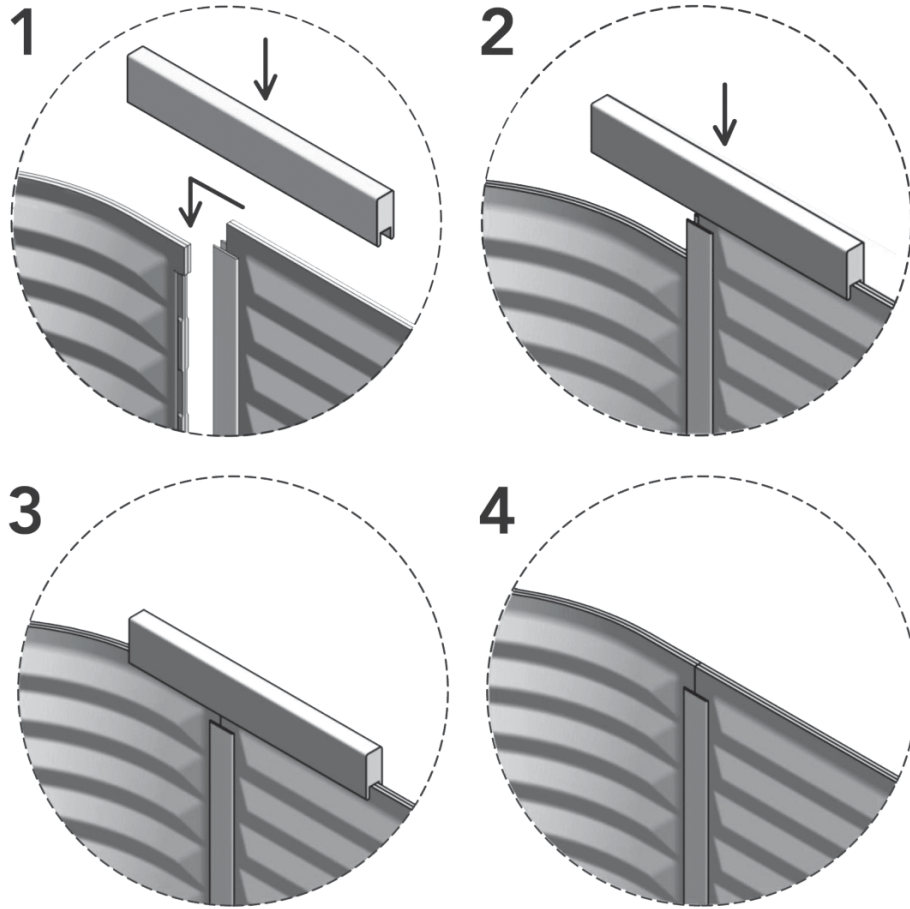
Soundroom

Single Low Seating

design:
Tomek Rygalik
2017

Noti.

SR/SLS



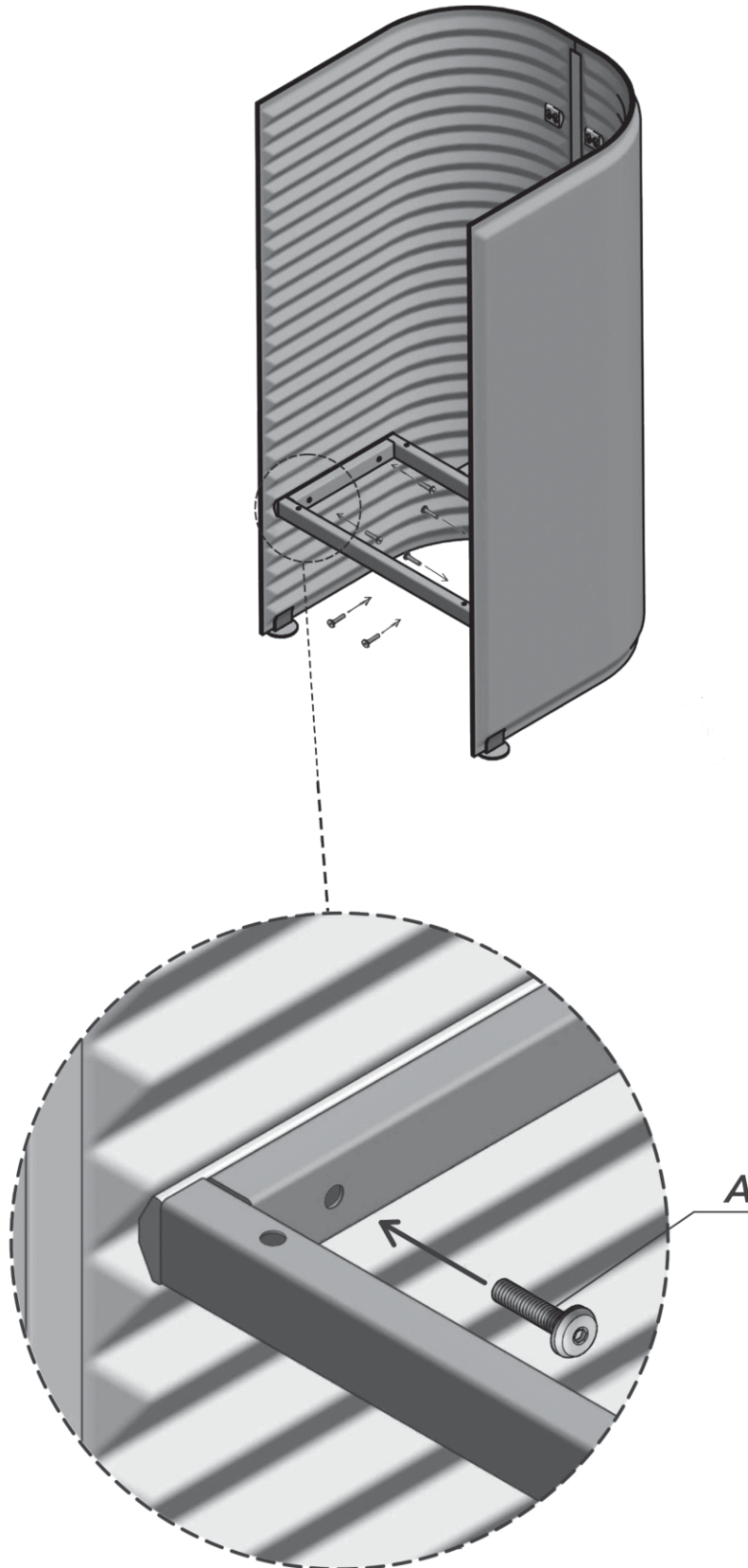
Soundroom

Single Low Seating

SR/SLS

design:
Tomek Rygalik
2017

Noti.



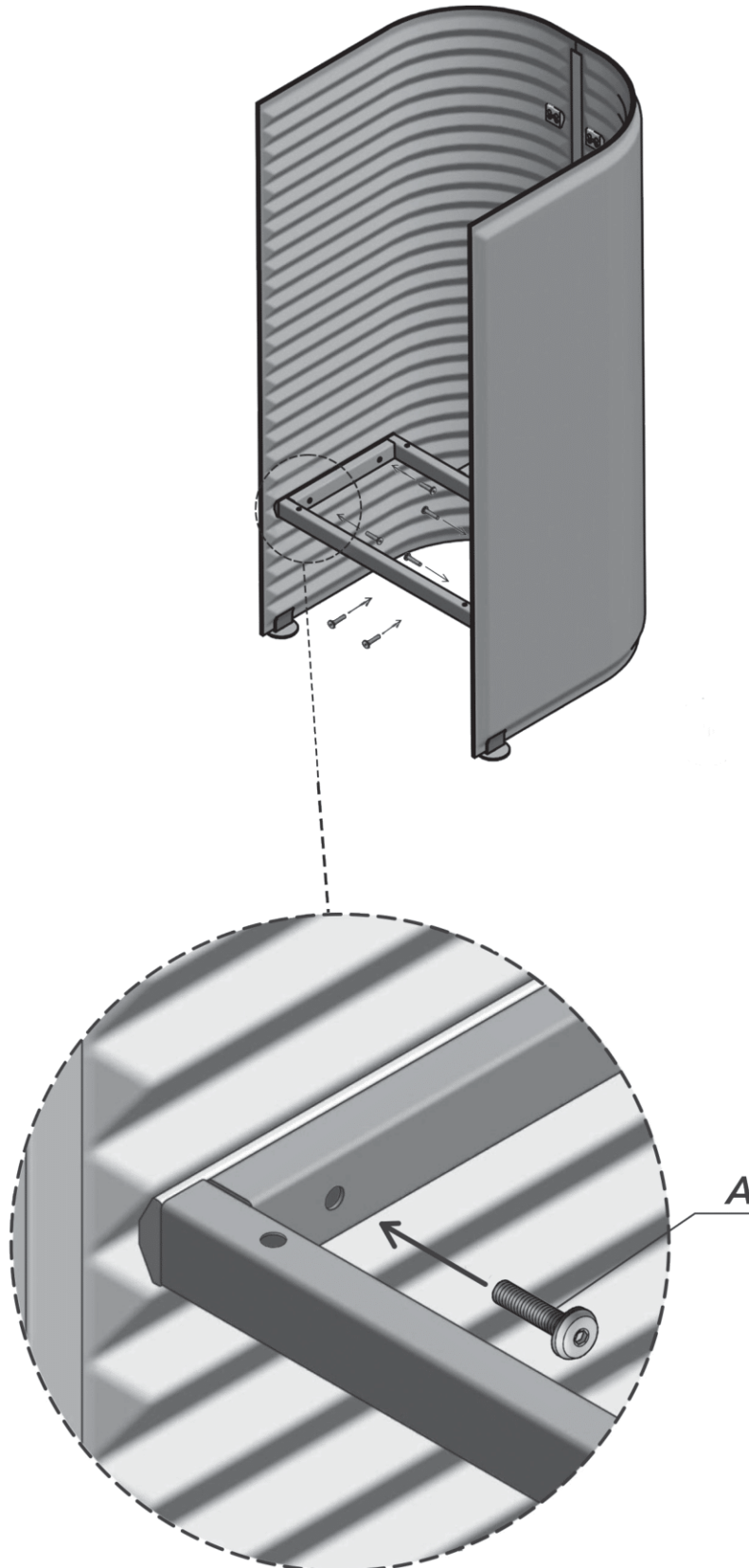
Soundroom

Single Low Seating

SR/SLS

design:
Tomek Rygalik
2017

Noti.



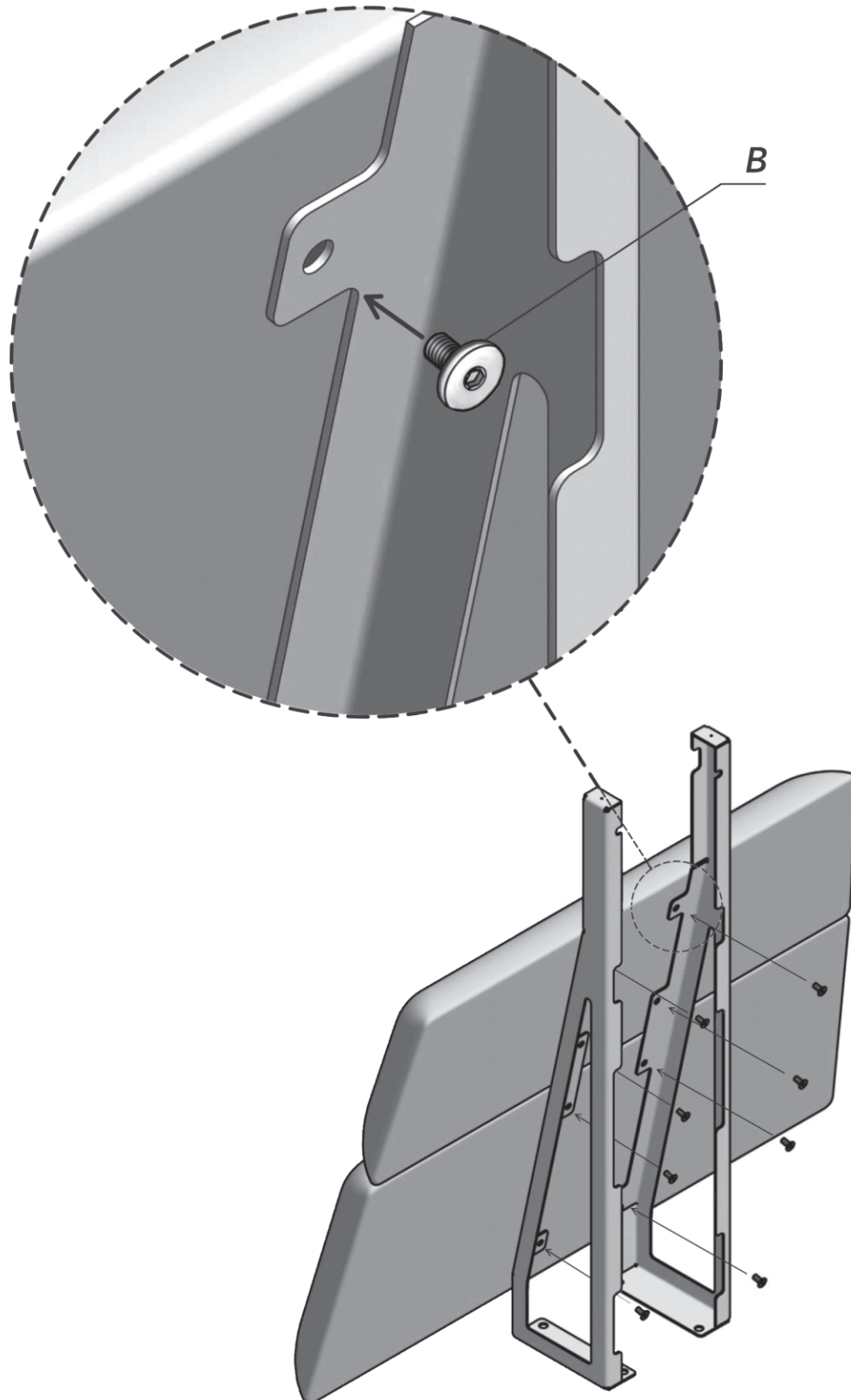
Soundroom

Single Low Seating

design:
Tomek Rygalik
2017

Noti.

SR/SLS



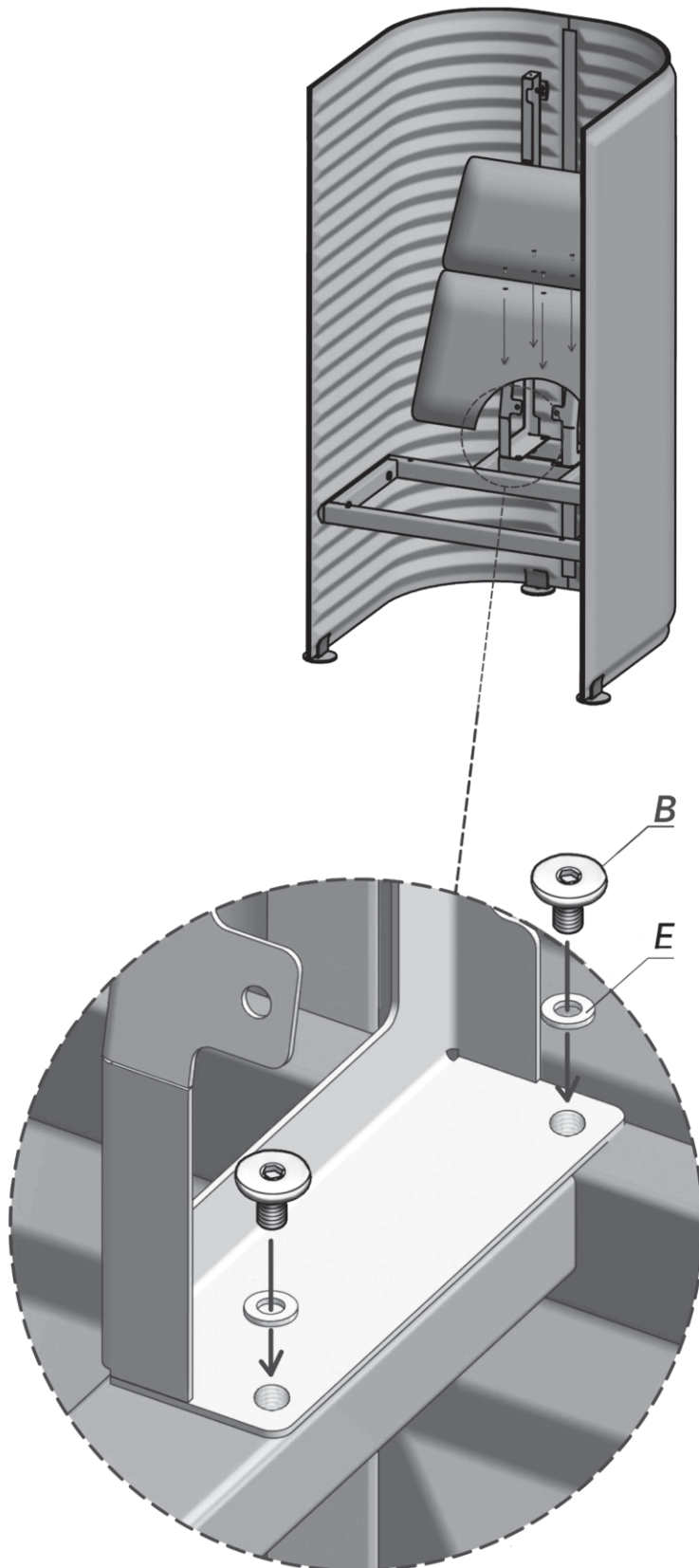
Soundroom

Single Low Seating

SR/SLS

design:
Tomek Rygalik
2017

Noti.



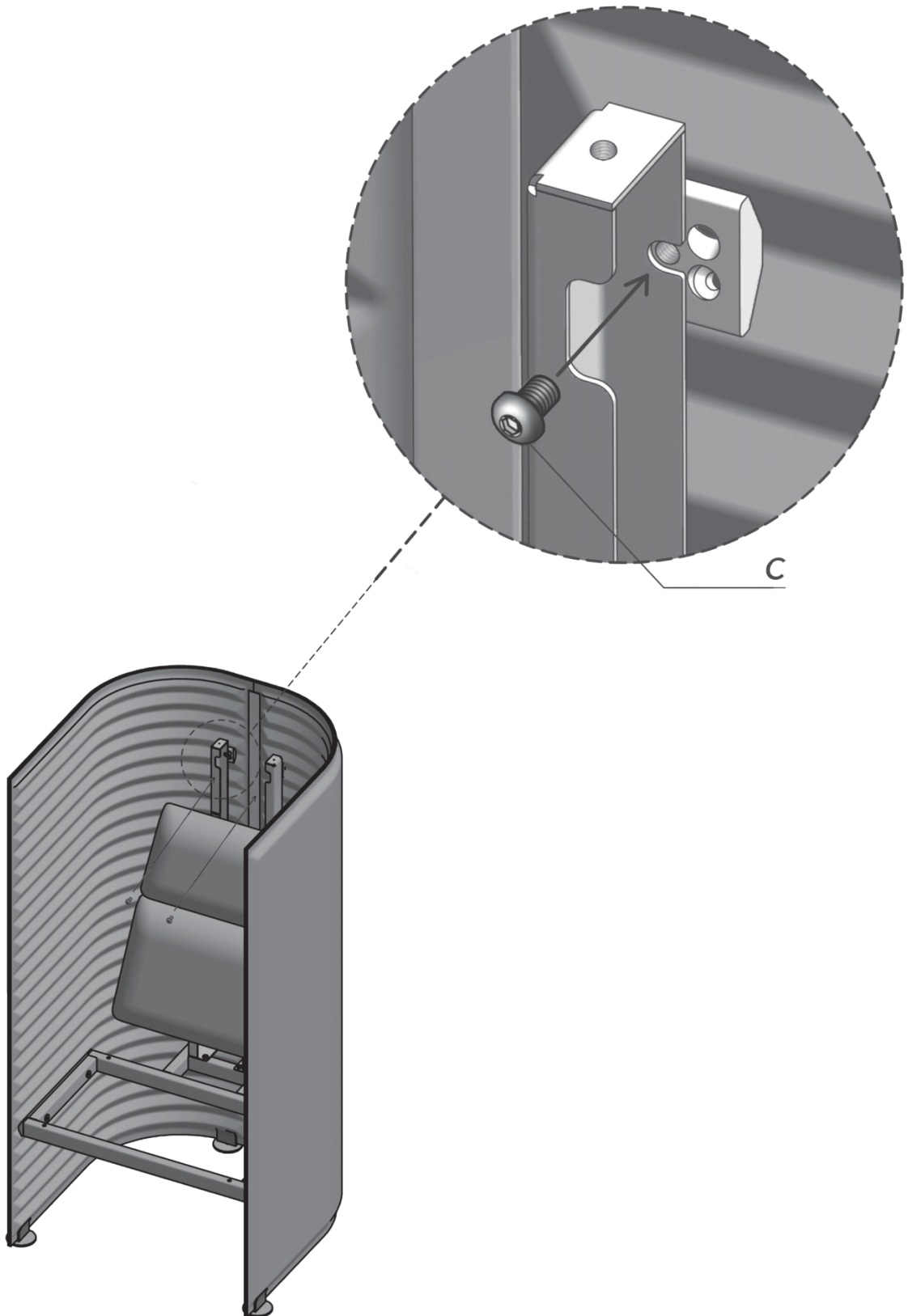
Soundroom

Single Low Seating

SR/SLS

design:
Tomek Rygalik
2017

Noti.

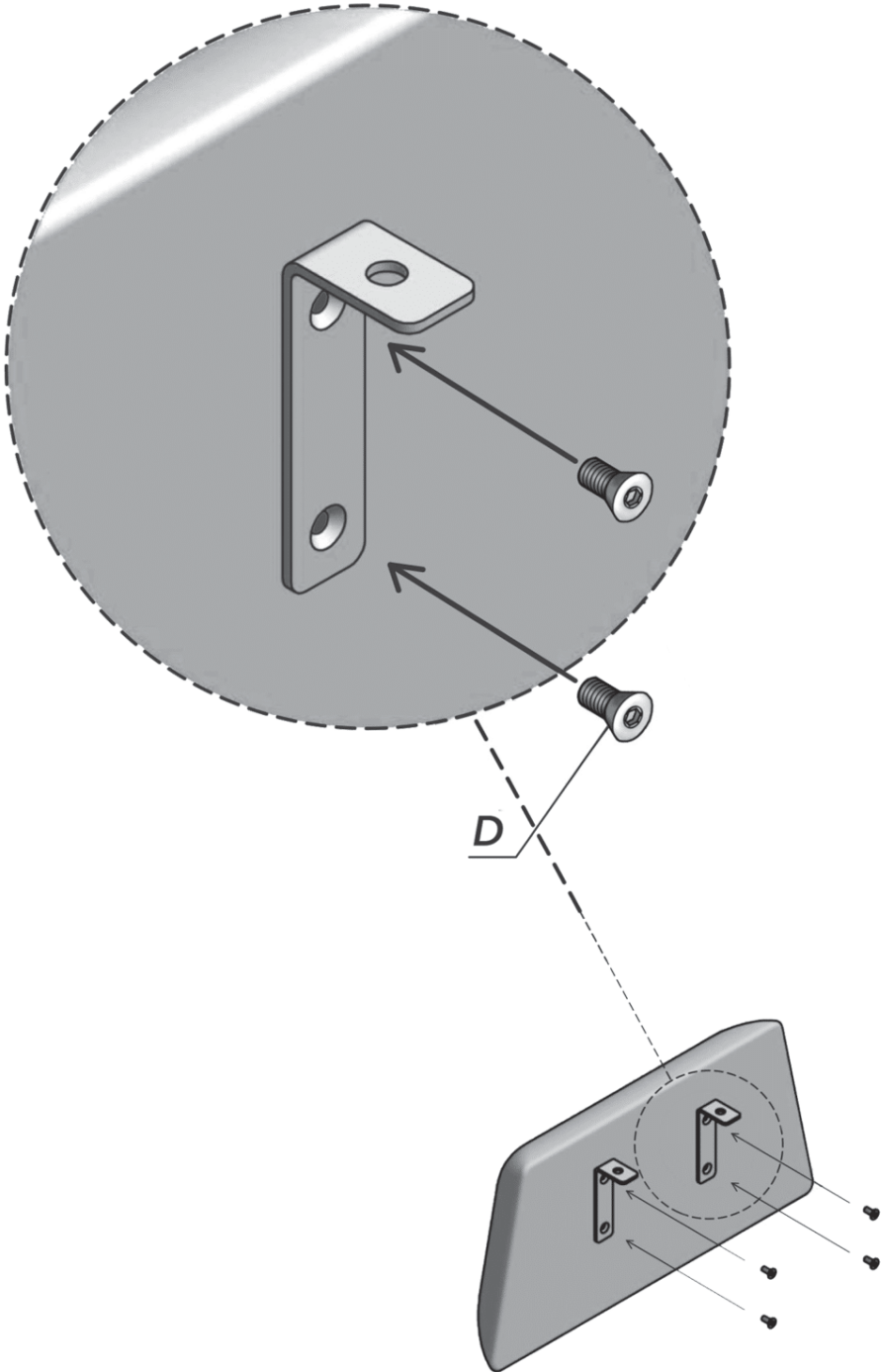


Soundroom Single Low Seating

SR/SLS

design:
Tomek Rygalik
2017

Noti.



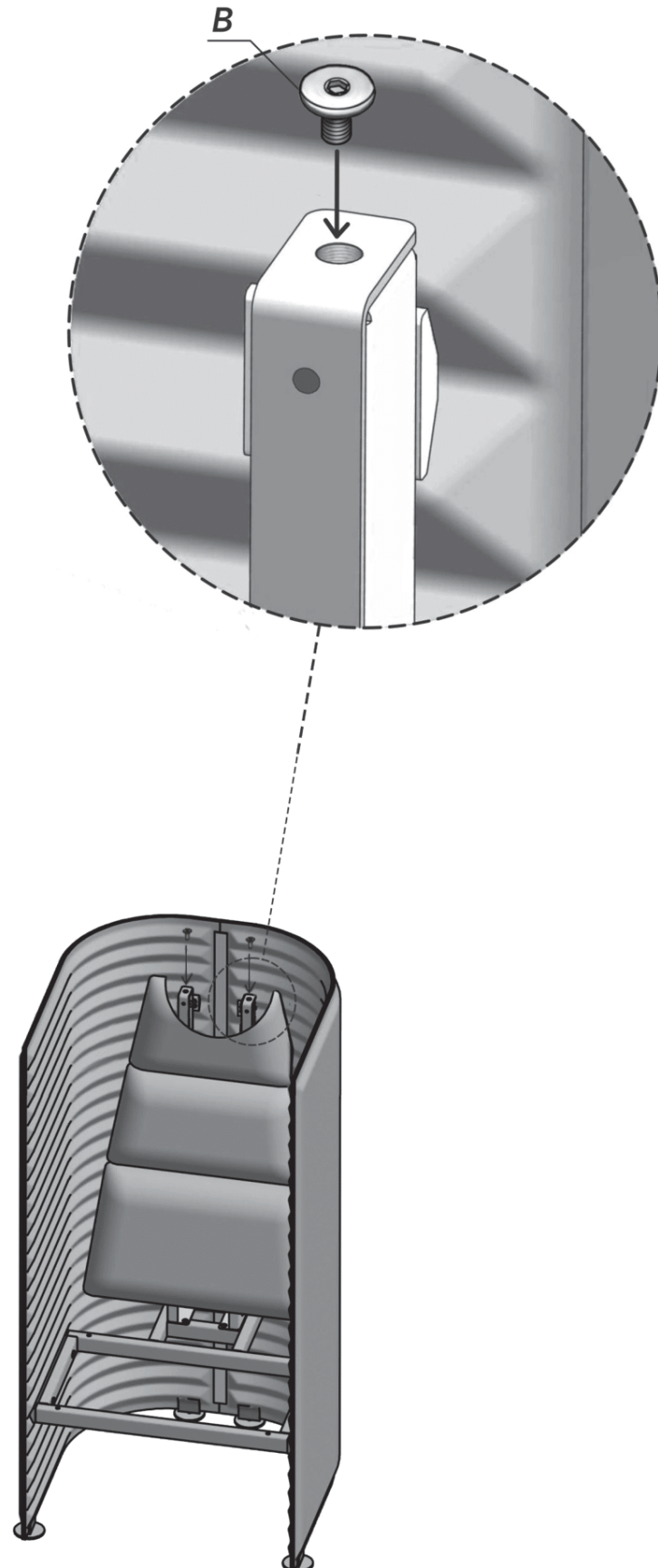
Soundroom

Single Low Seating

SR/SLS

design:
Tomek Rygalik
2017

Noti.



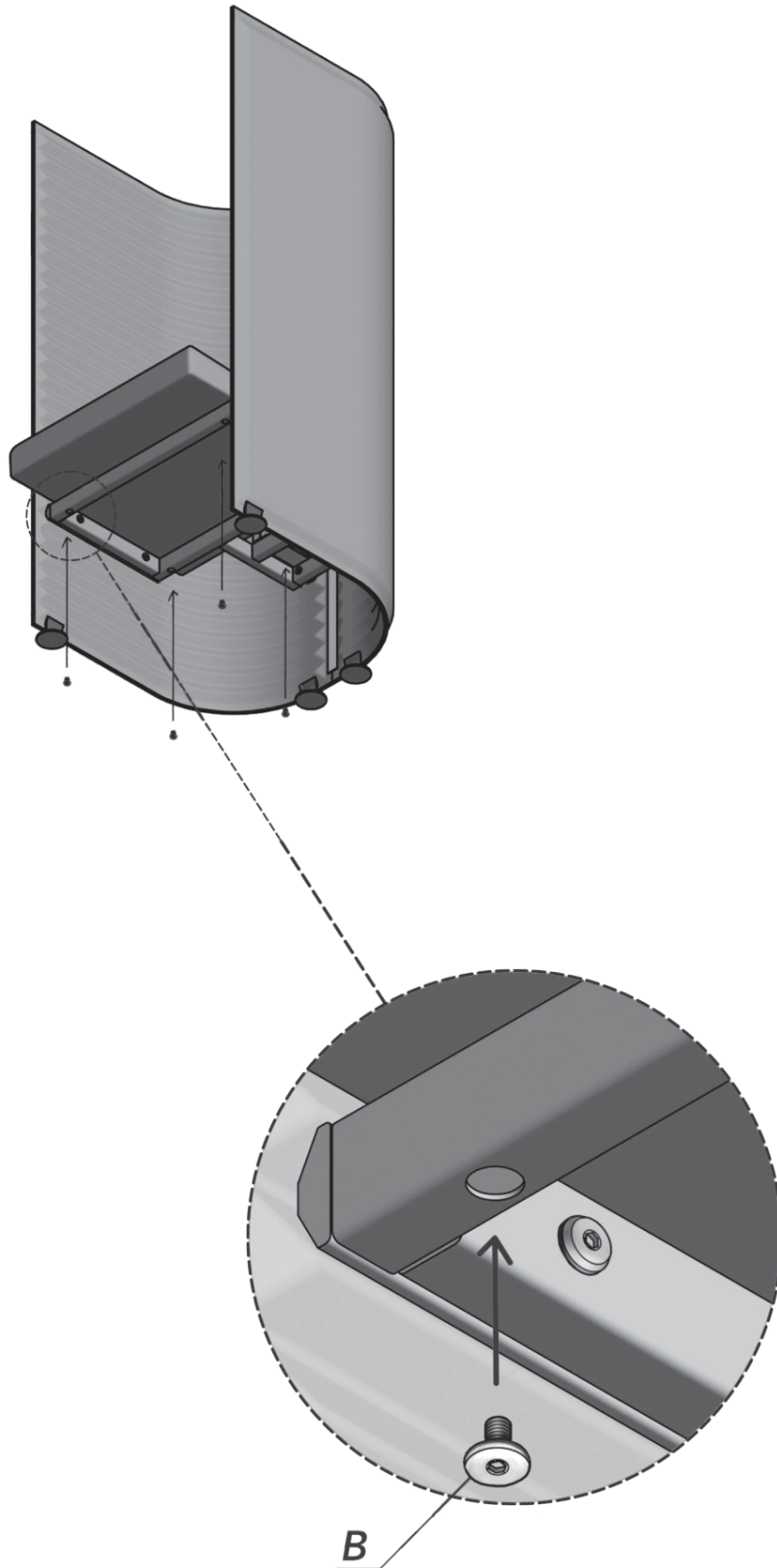
Soundroom

Single Low Seating

SR/SLS

design:
Tomek Rygalik
2017

Noti.



Soundroom

Single Low Seating

design:
Tomek Rygalik
2017

Noti.

SR/SLS

