

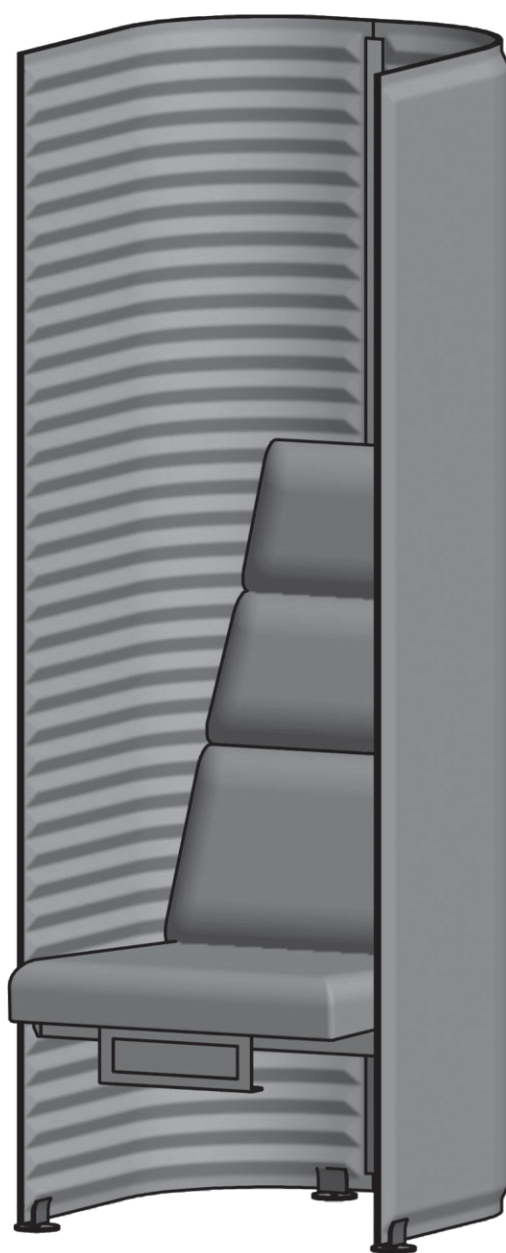
# Soundroom

Single High Seating

SR/SHS

design:  
Tomek Rygalik  
2017

# Noti.



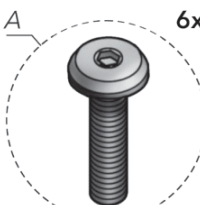
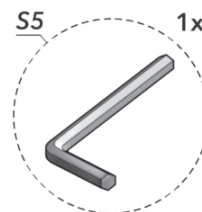
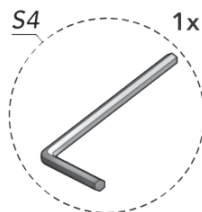
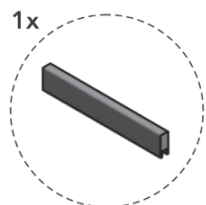
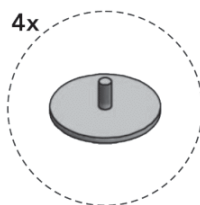
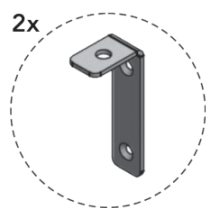
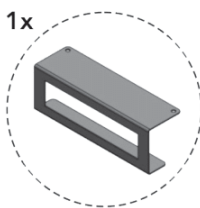
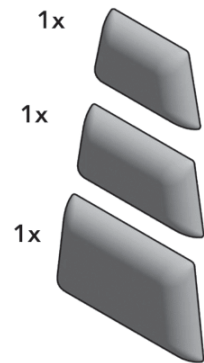
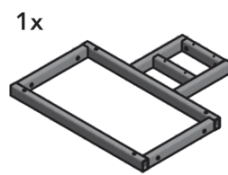
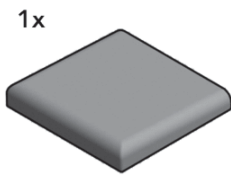
# Soundroom

Single High Seating

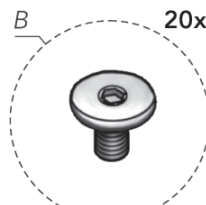
design:  
Tomek Rygalik  
2017

# Noti.

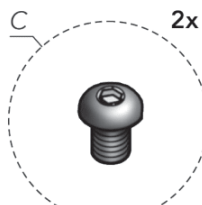
SR/SHS



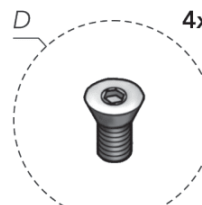
M8x35



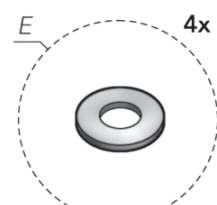
M6x12



M8x12



M6x14



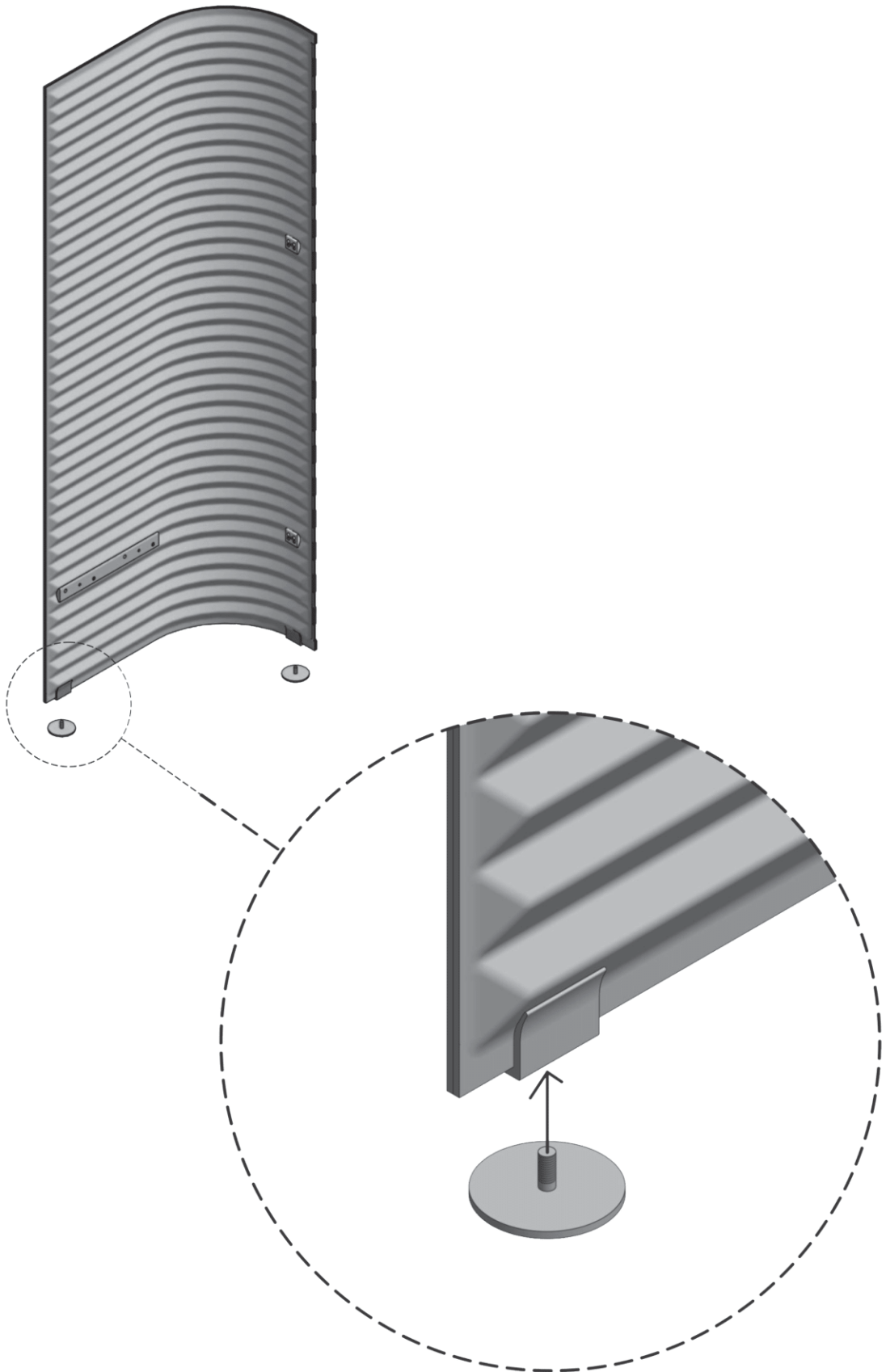
# Soundroom

Single High Seating

SR/SHS

design:  
Tomek Rygalik  
2017

# Noti.



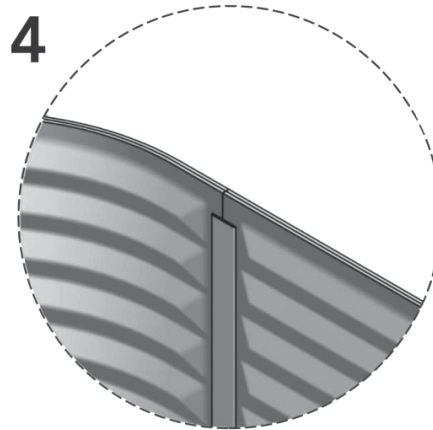
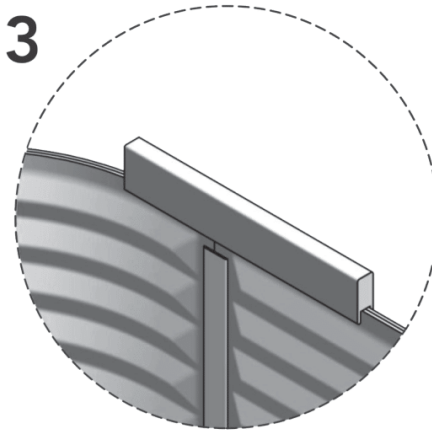
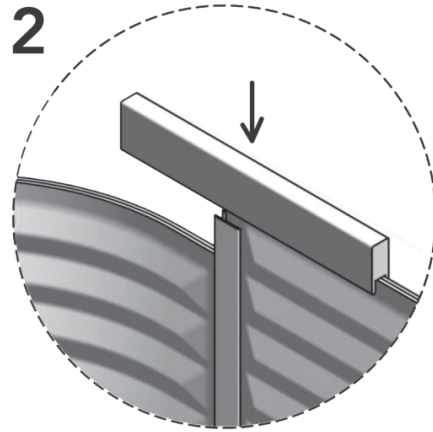
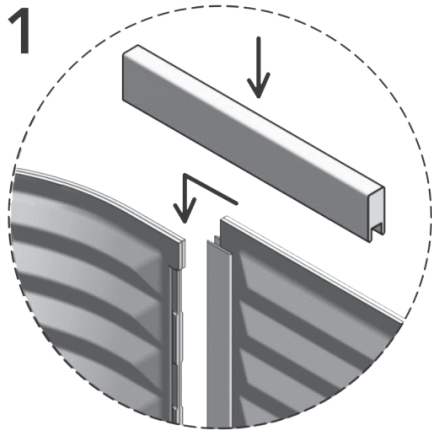
# Soundroom

Single High Seating

design:  
Tomek Rygalik  
2017

# Noti.

SR/SHS



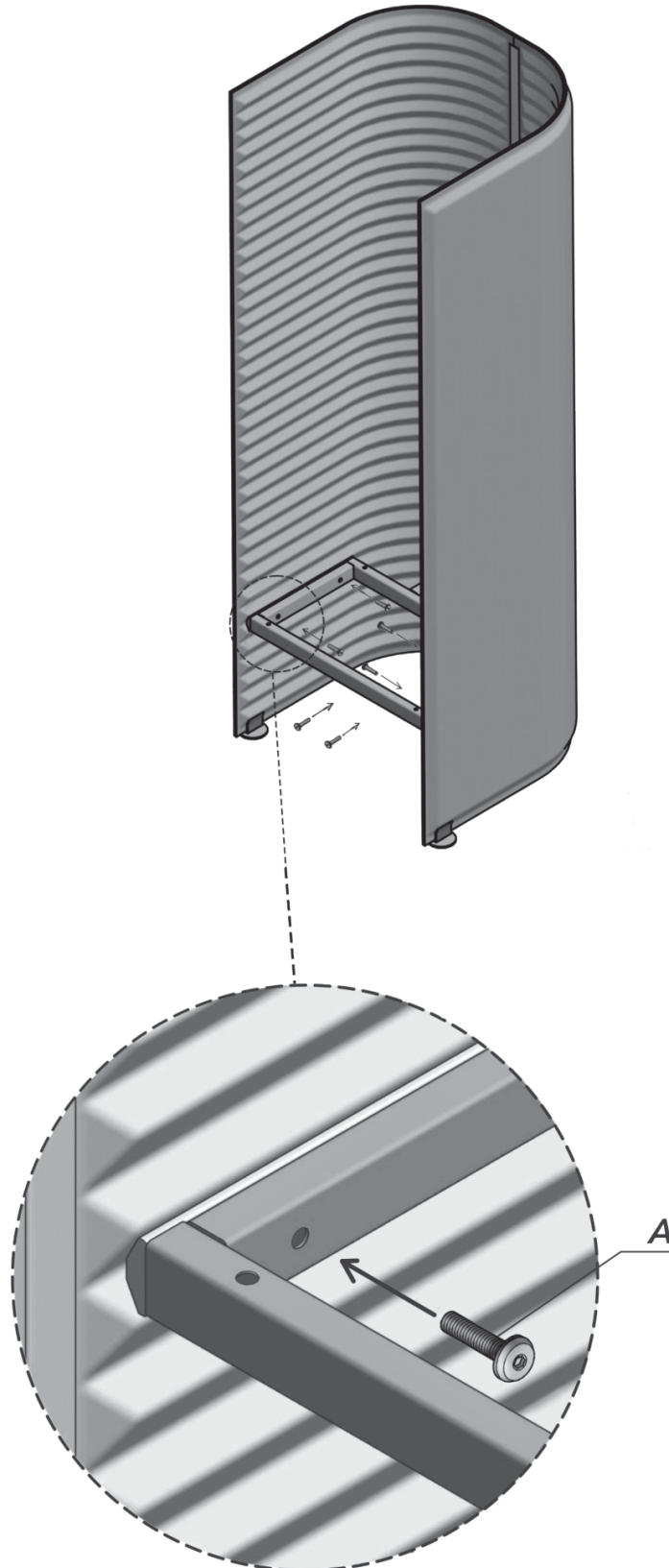
# Soundroom

Single High Seating

SR/SHS

design:  
Tomek Rygalik  
2017

# Noti.



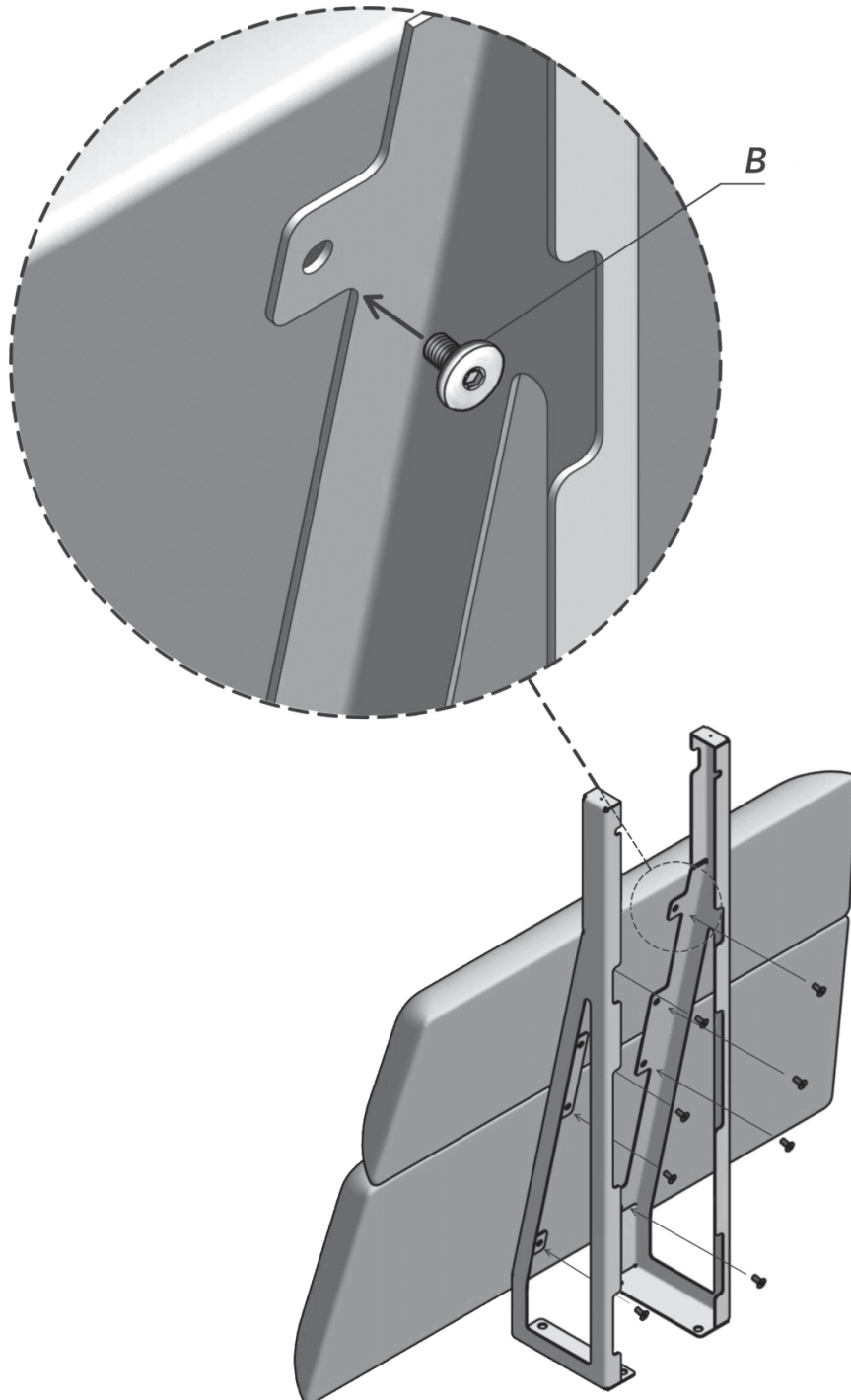
# Soundroom

Single High Seating

design:  
Tomek Rygalik  
2017

# Noti.

SR/SHS





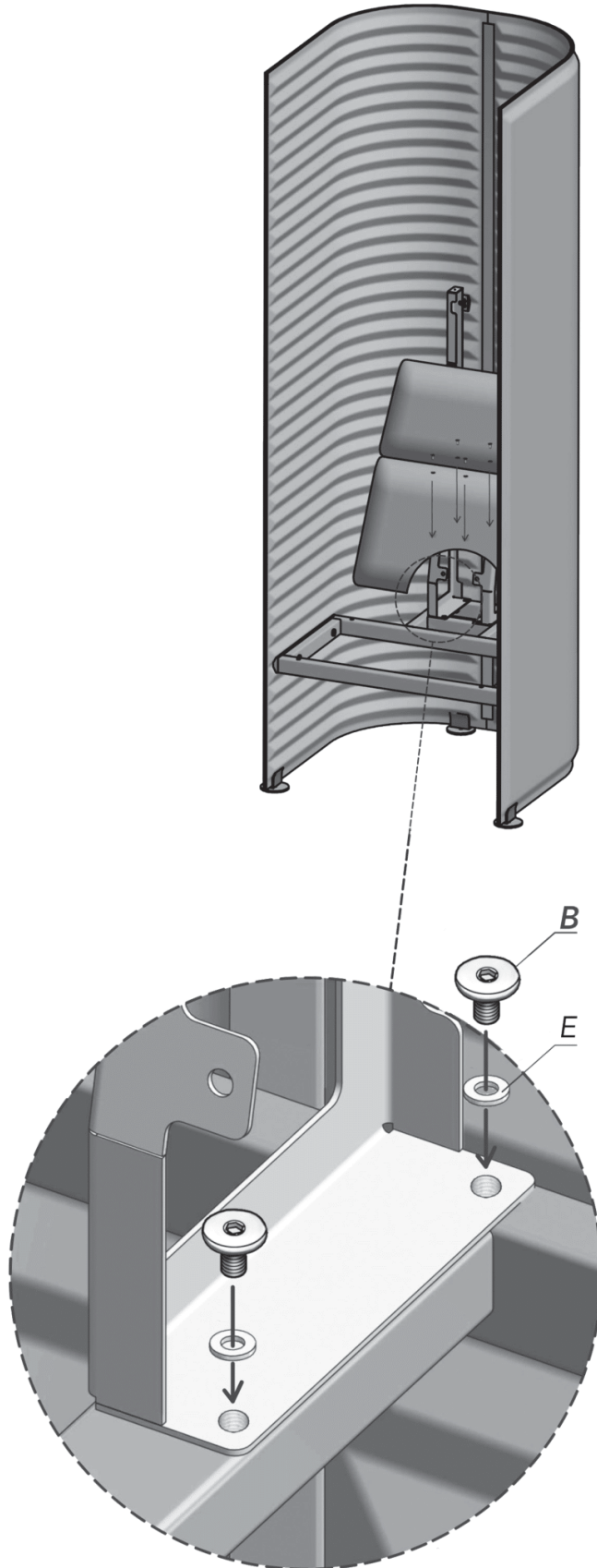
# Soundroom

Single High Seating

design:  
Tomek Rygalik  
2017

# Noti.

SR/SHS



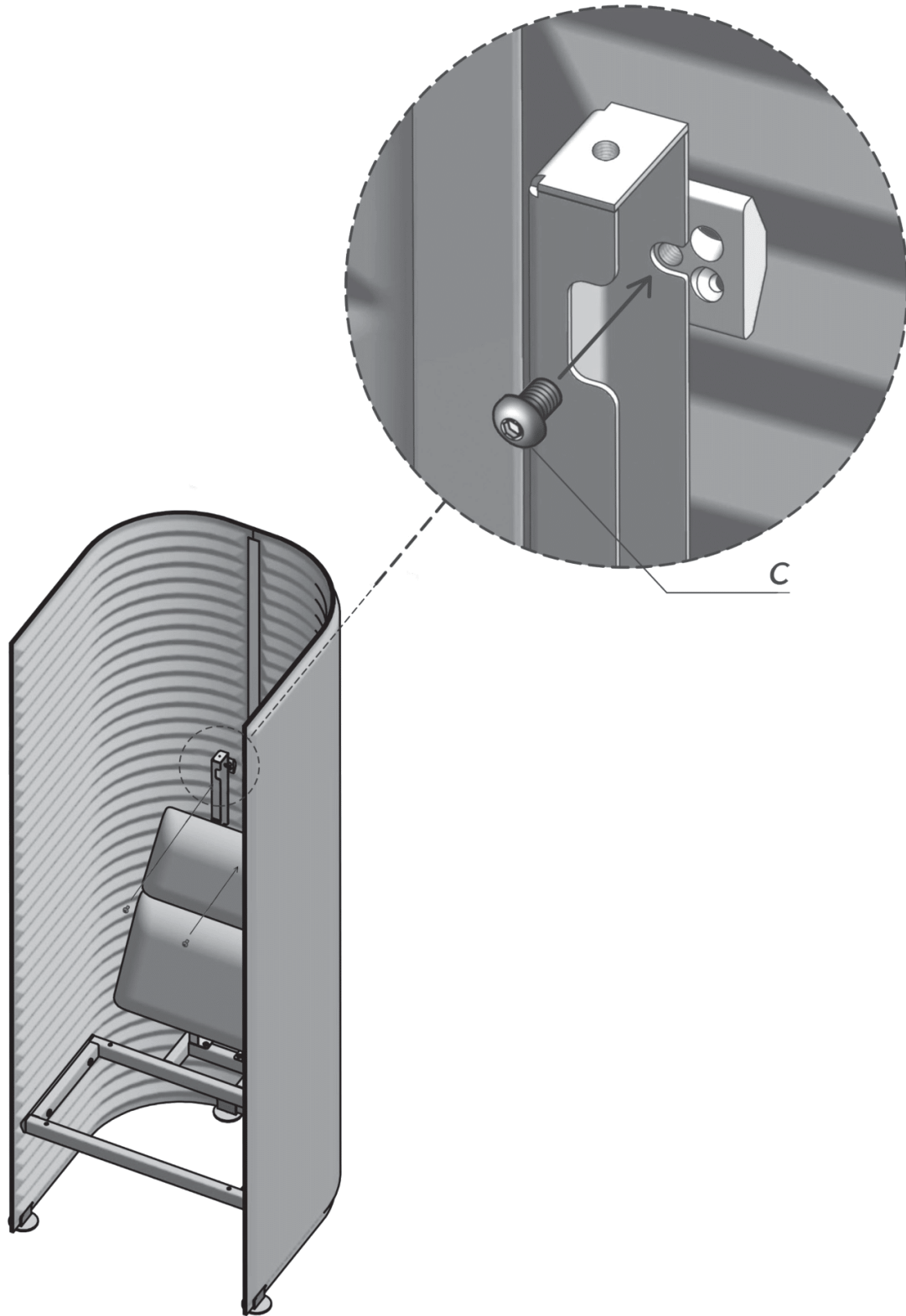
# Soundroom

Single High Seating

SR/SHS

design:  
Tomek Rygalik  
2017

# Noti.





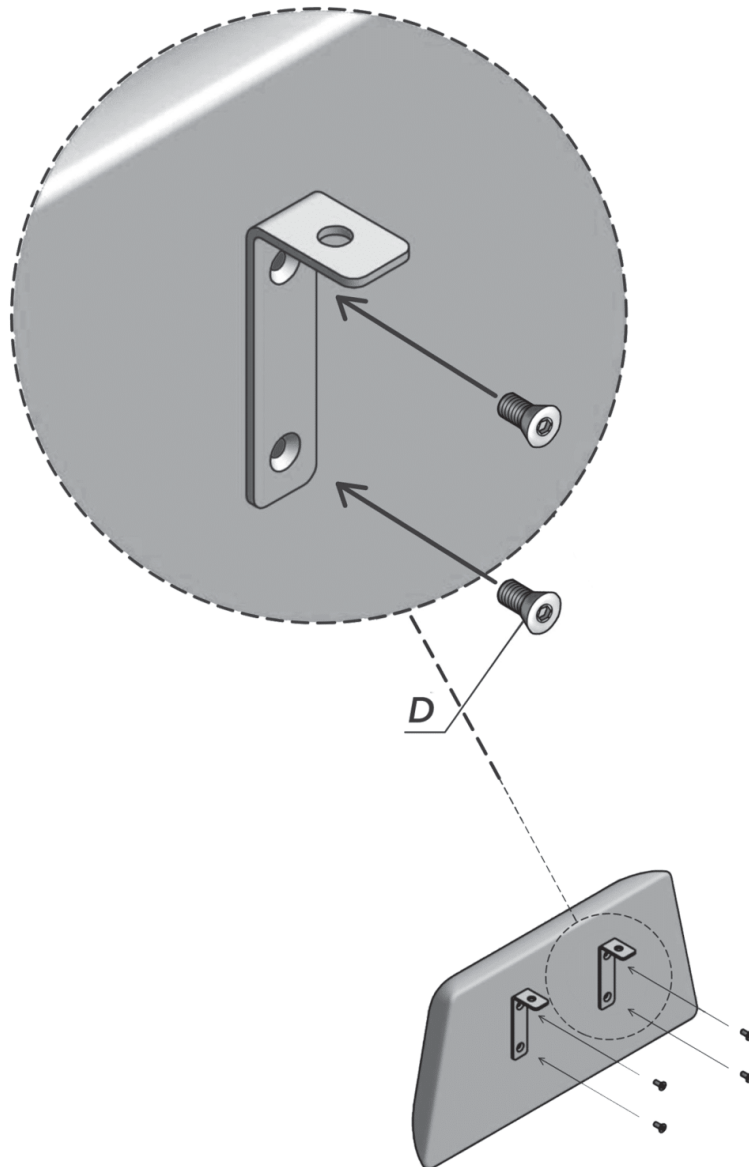
# Soundroom

Single High Seating

design:  
Tomek Rygalik  
2017

# Noti.

SR/SHS



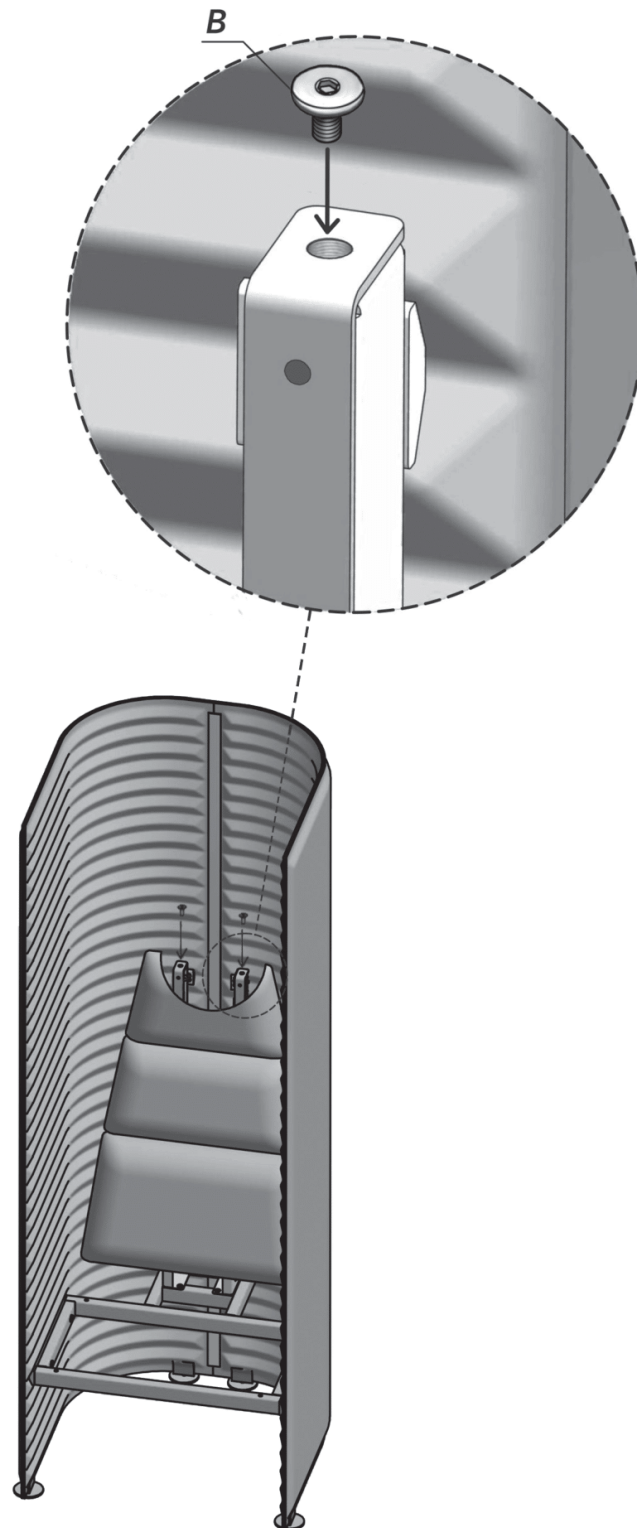
# Soundroom

Single High Seating

SR/SHS

design:  
Tomek Rygalik  
2017

# Noti.



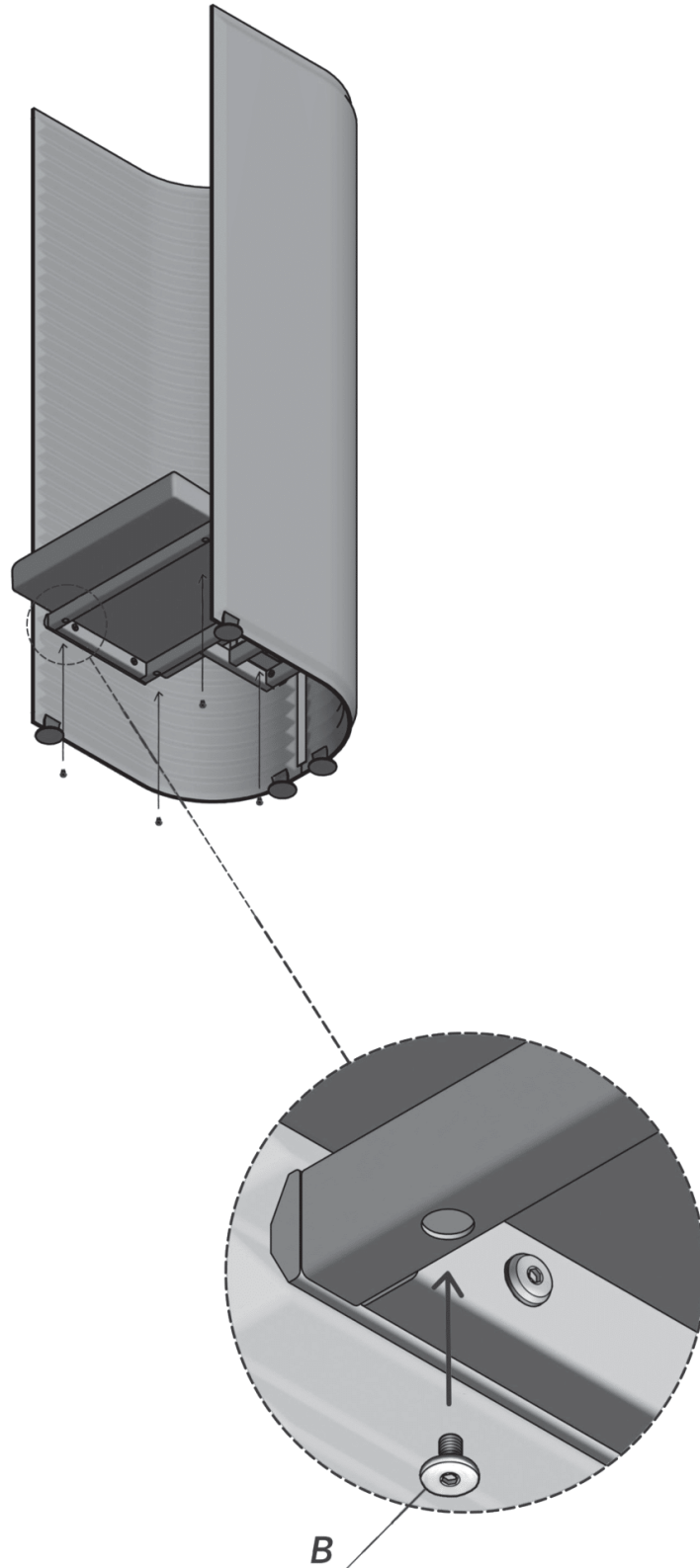
# Soundroom

Single High Seating

SR/SHS

design:  
Tomek Rygalik  
2017

# Noti.



# Soundroom

Single High Seating

design:  
Tomek Rygalik  
2017

# Noti.

SR/SHS

