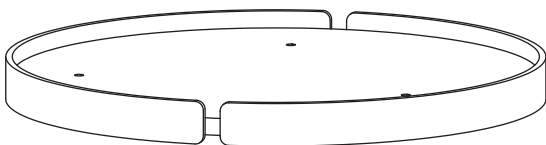


x1



x1

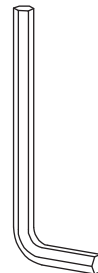


x3

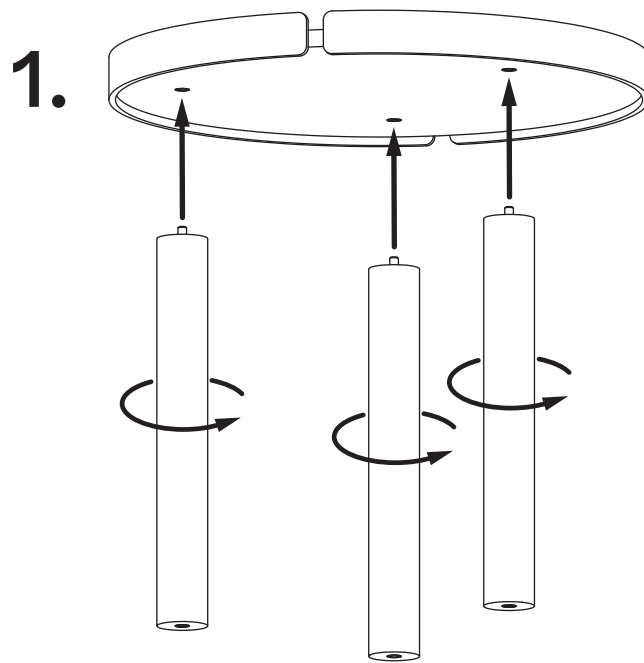


M8x25

x3



x1



2.

