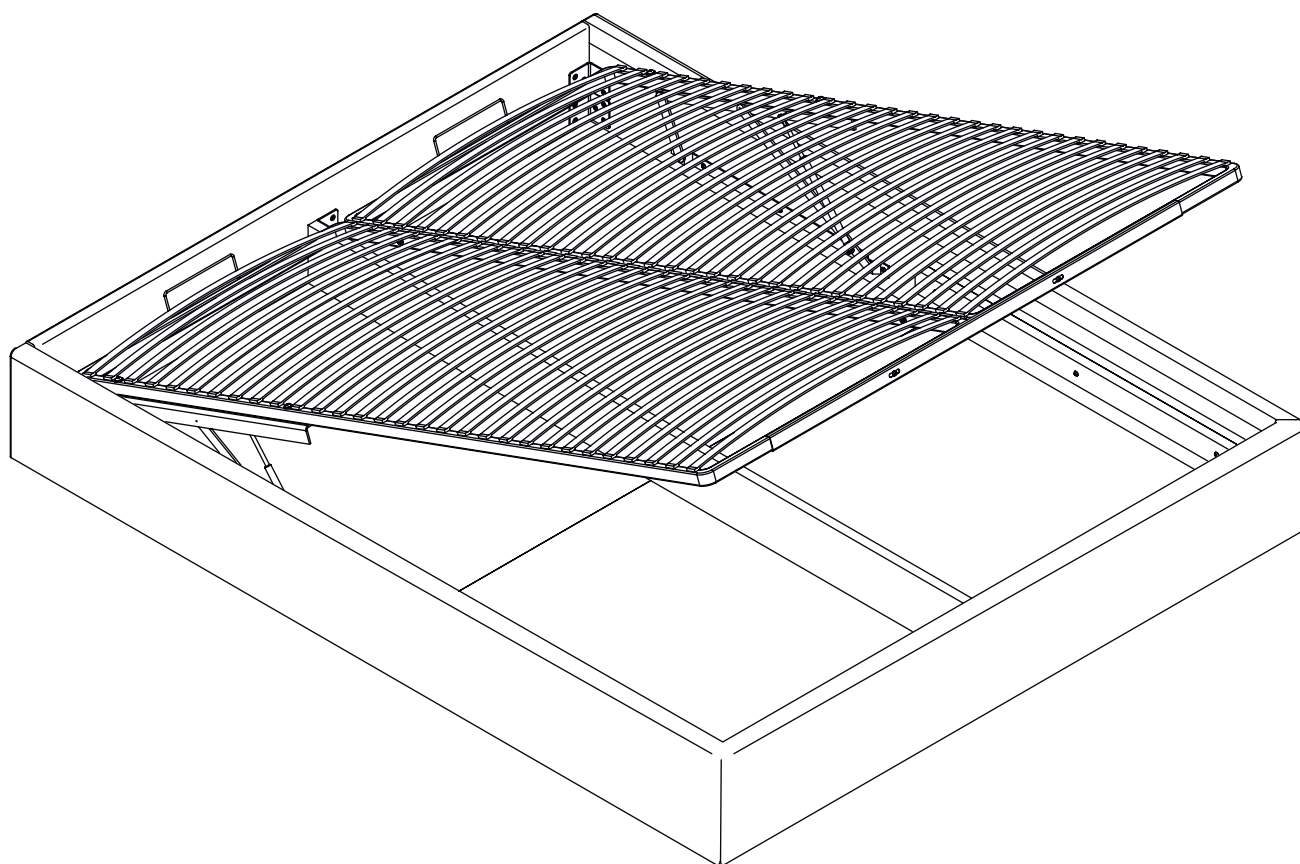


Ingram

IN/L/S

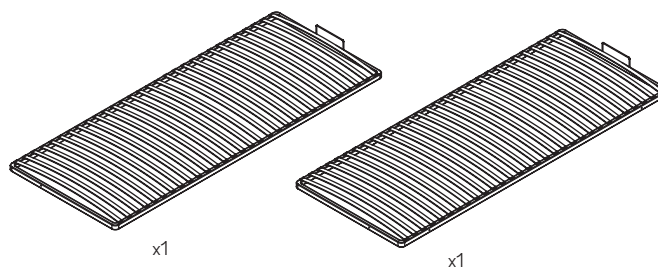
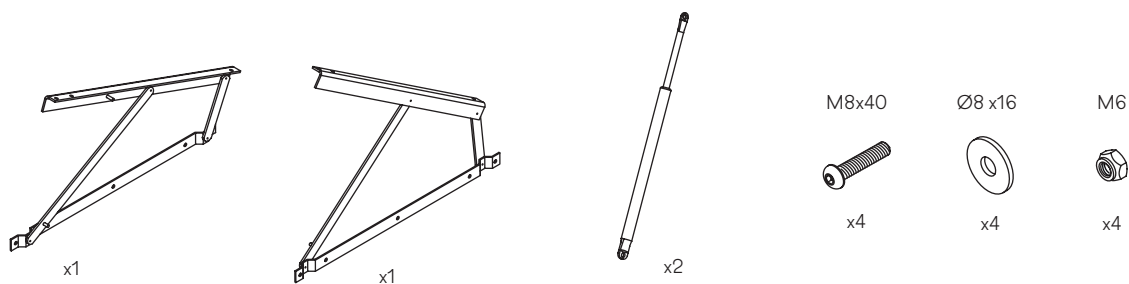
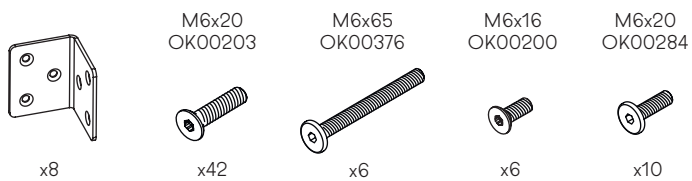
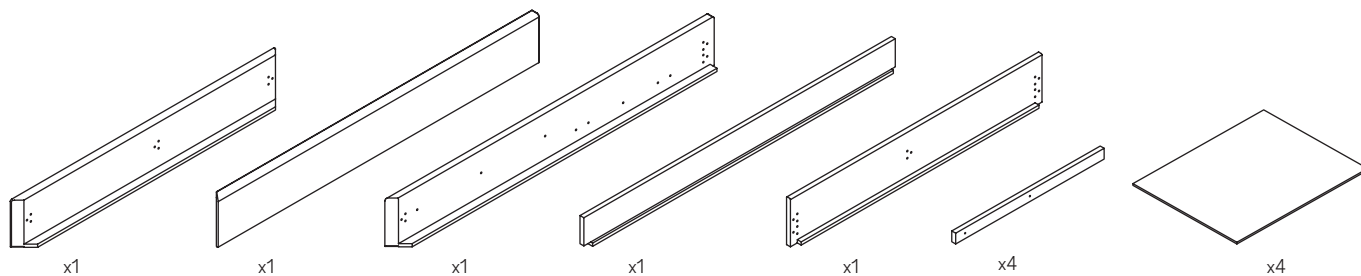
design:
Piotr Kuchciński
2010/2022

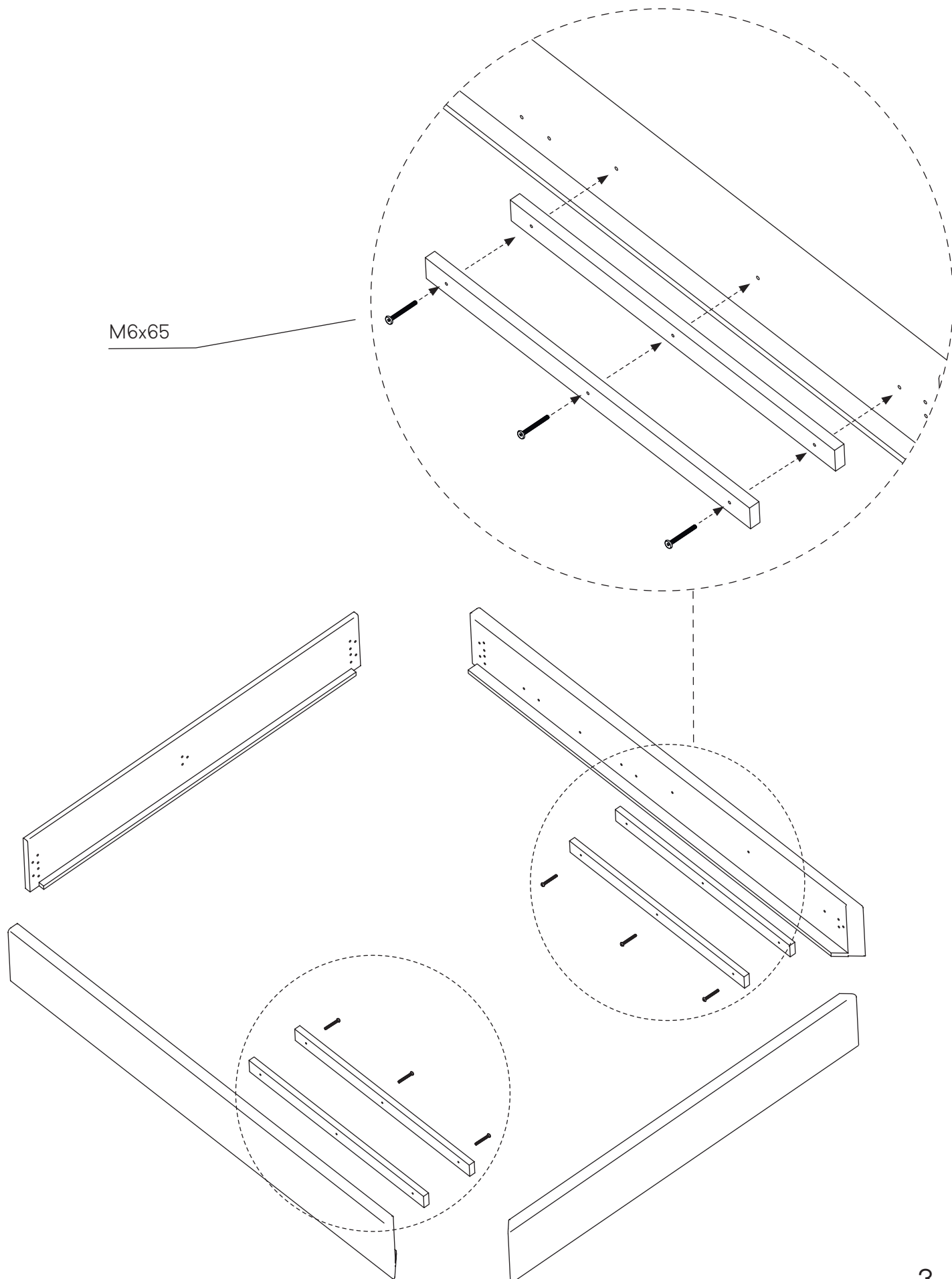
Noti.

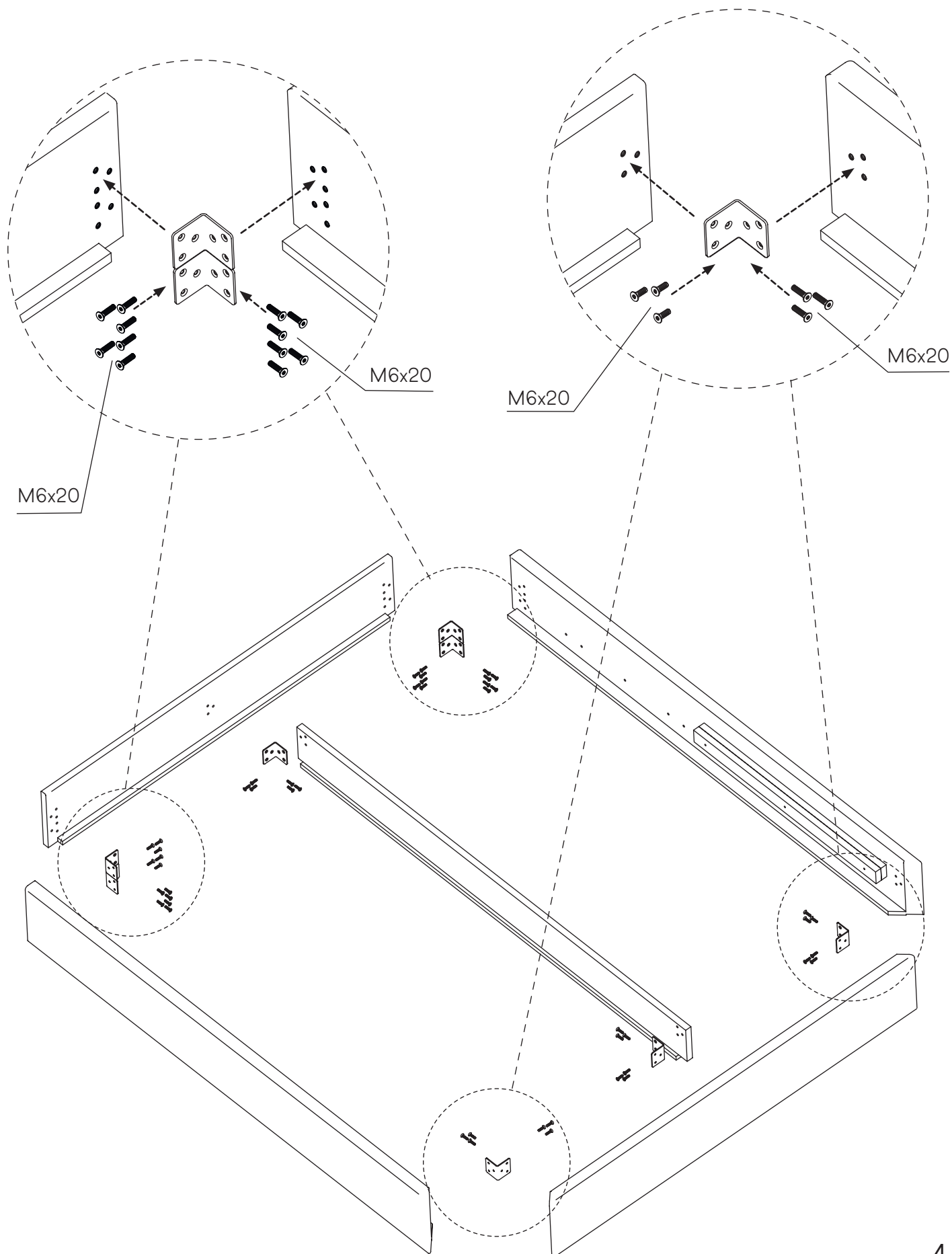


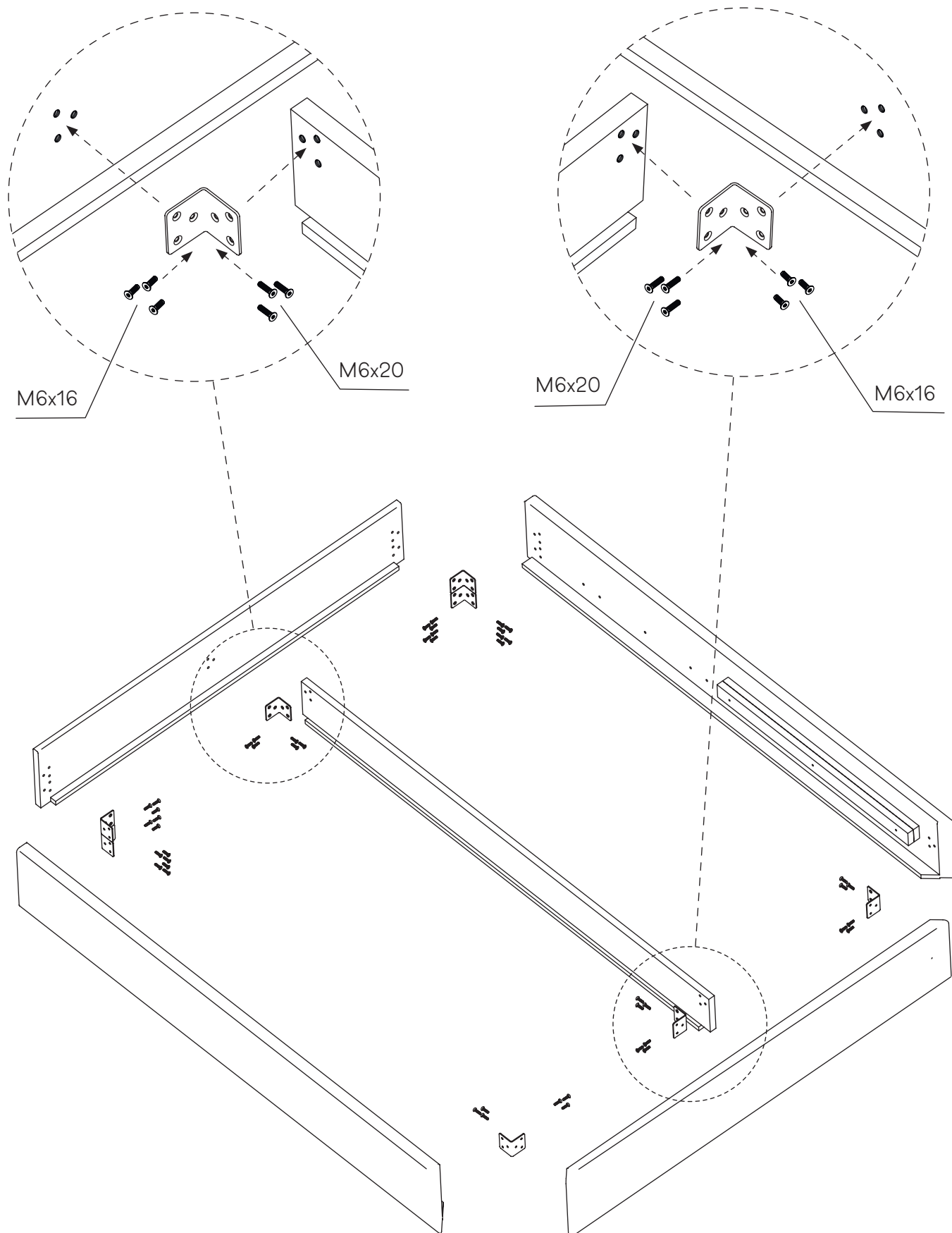
IN/L140/S
IN/L160/S
IN/L180/S

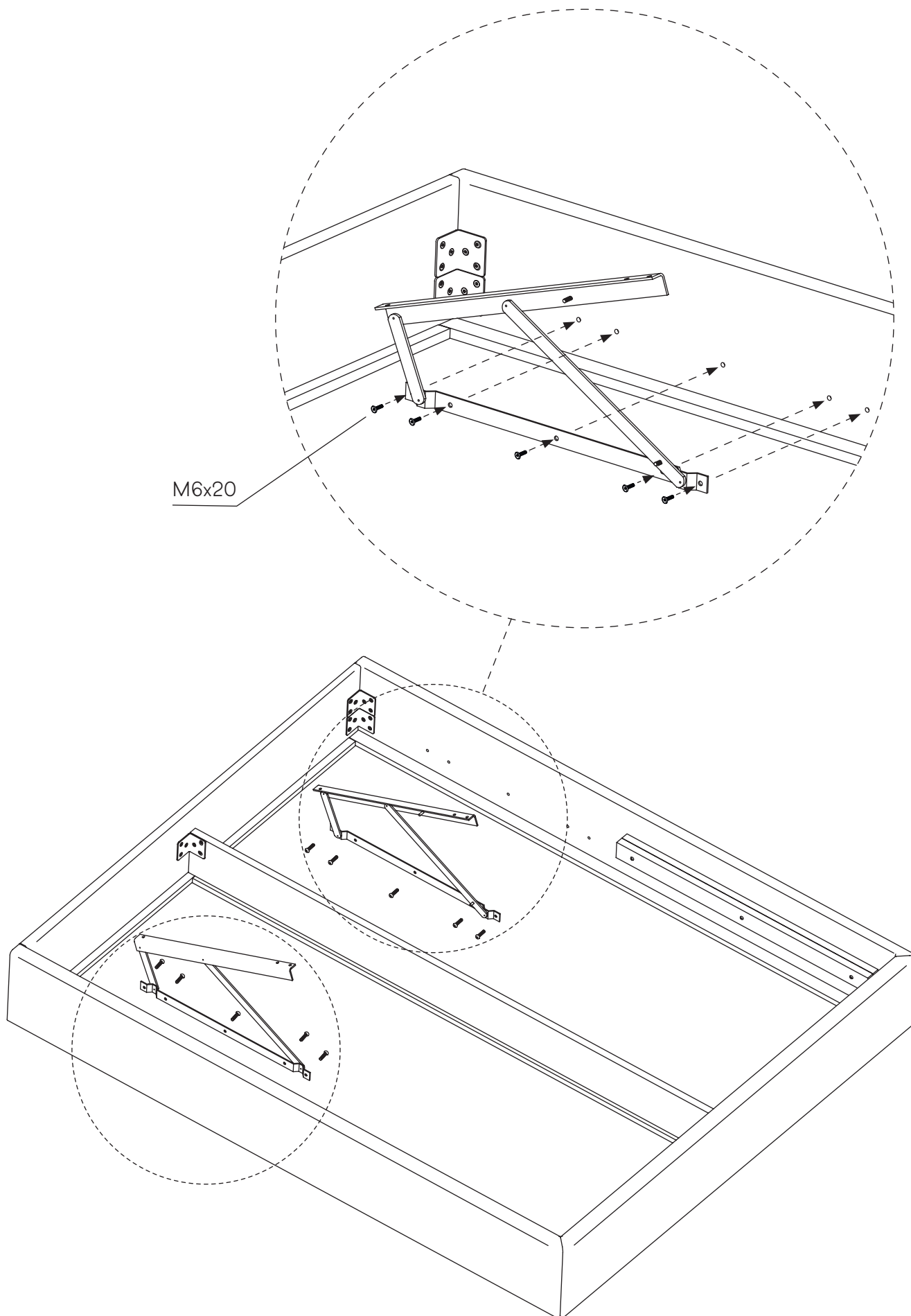
IN/L140/S/M
IN/L160/S/M
IN/L180/S/M

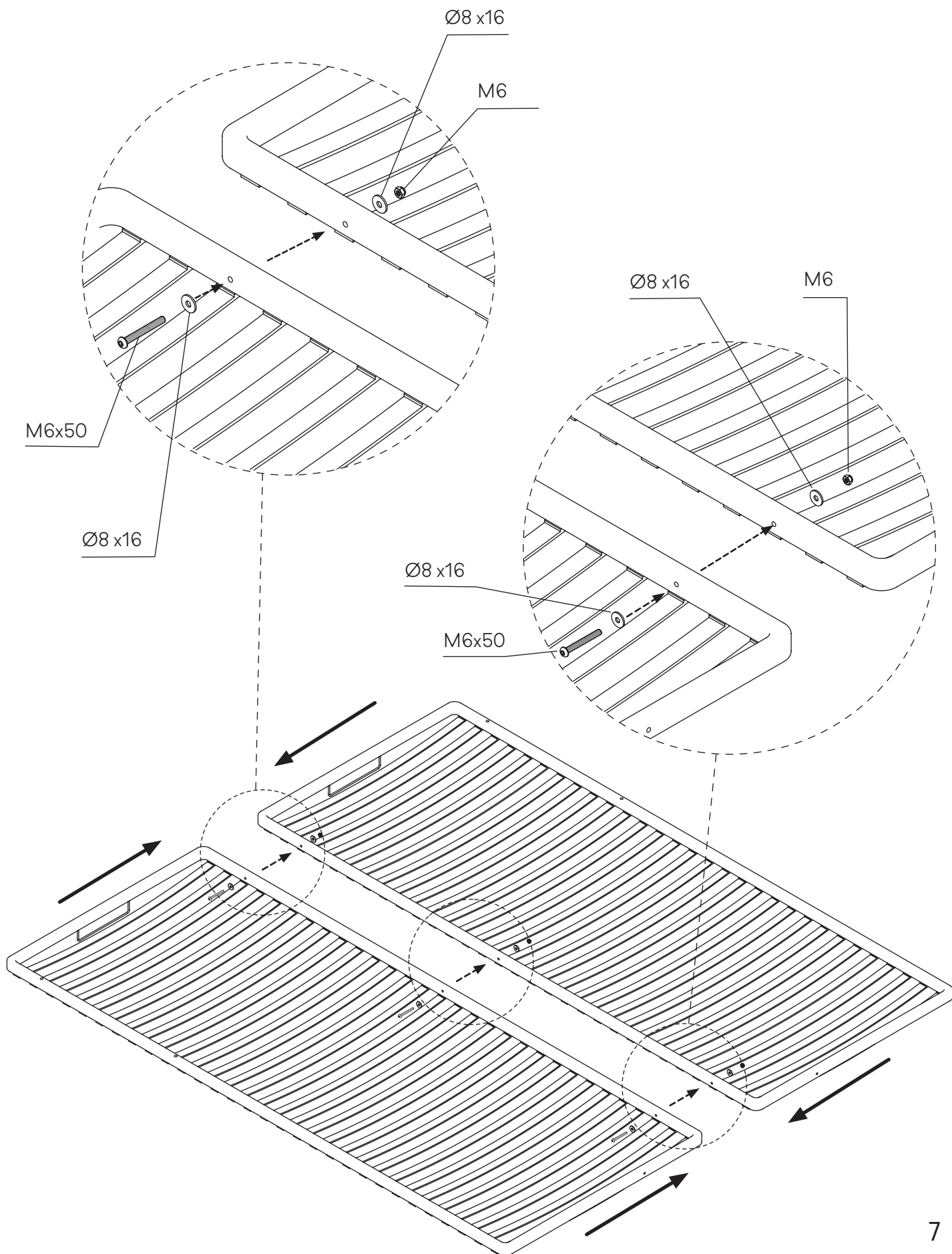










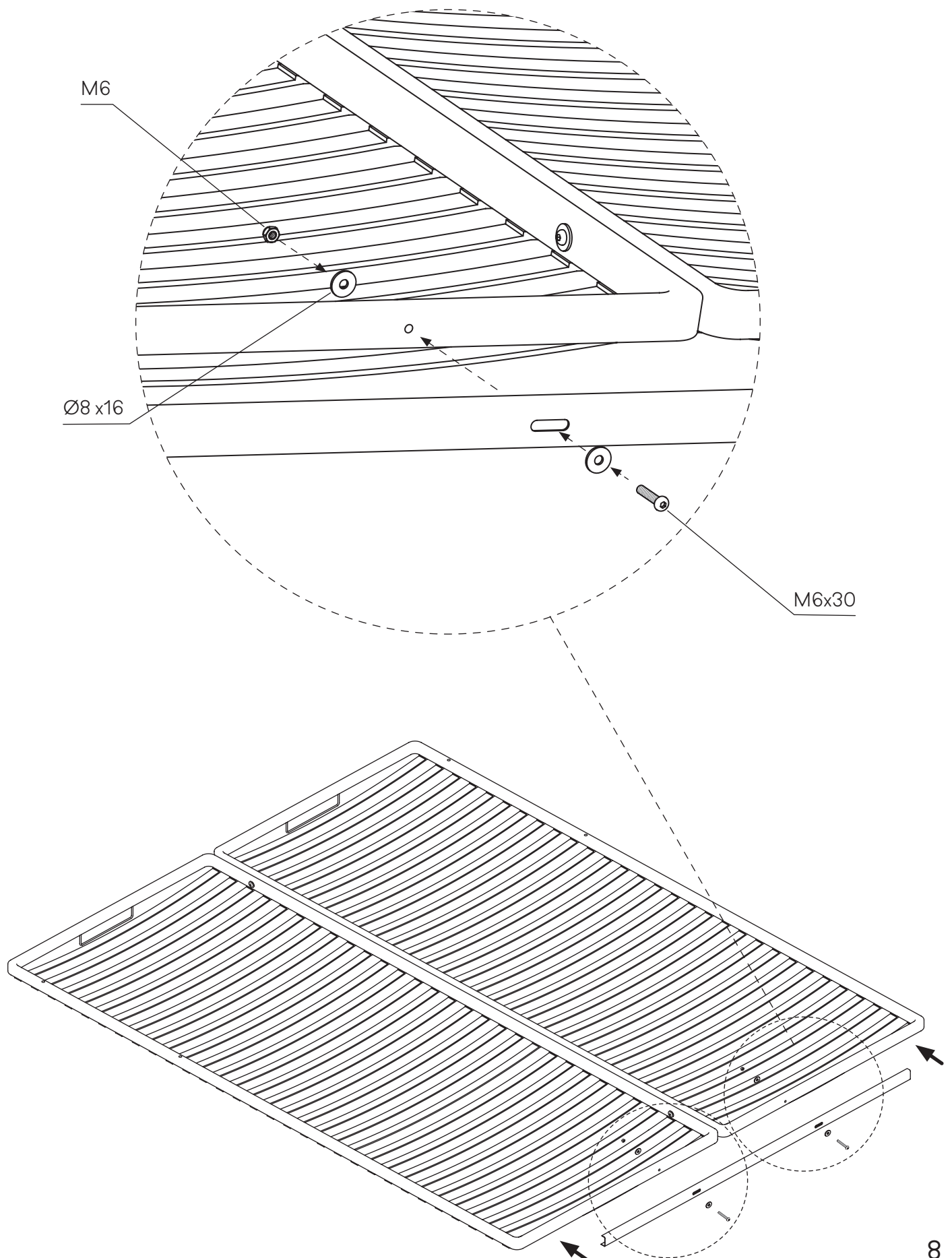


Ingram

IN/L/S

design:
Piotr Kuchciński
2010/2022

Noti.

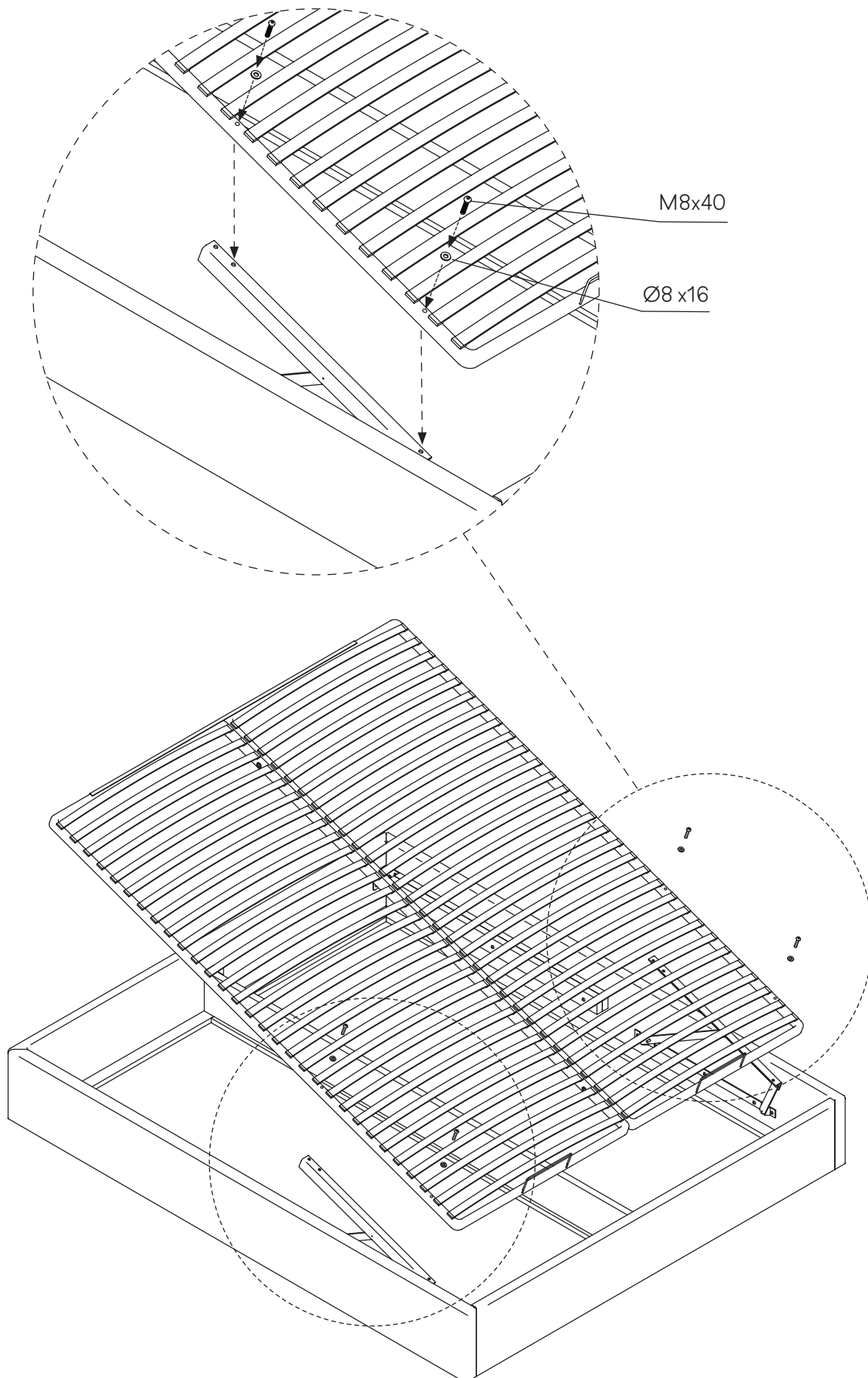


Ingram

IN/L/S

design:
Piotr Kuchciński
2010/2022

Noti.

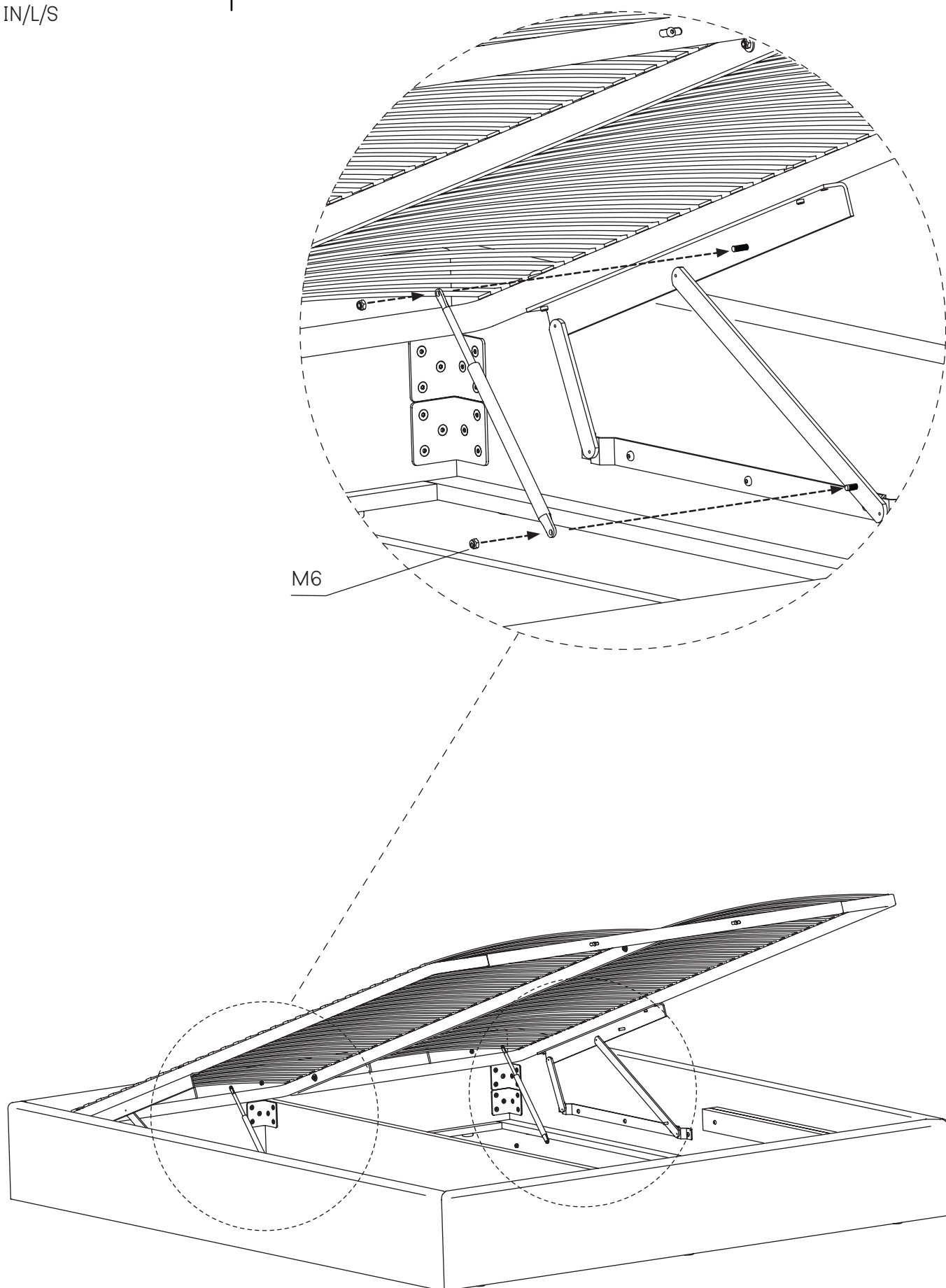


Ingram

IN/L/S

design:
Piotr Kuchciński
2010/2022

Noti.



Ingram

IN/L/S

design:
Piotr Kuchciński
2010/2022

Noti.

